

Excellent Integrated System Limited

Stocking Distributor

Click to view price, real time Inventory, Delivery & Lifecycle Information:

[FCI](#)

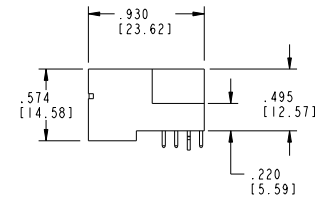
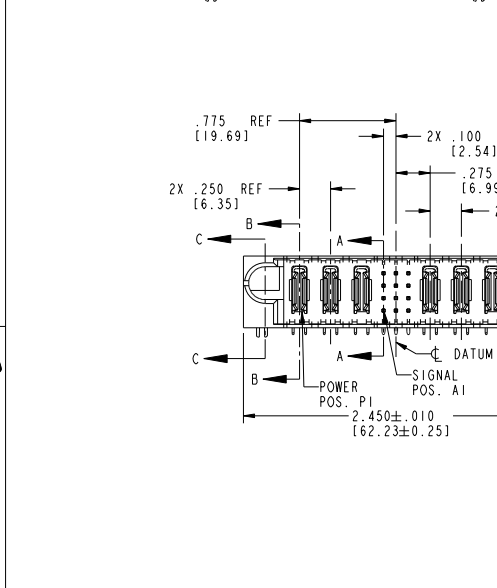
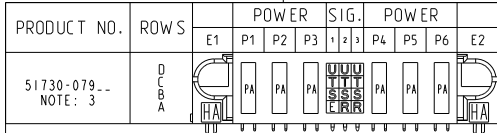
[51730-079LF](#)

For any questions, you can email us directly:

sales@integrated-circuit.com

Tous droits strictement réservés. Reproduction ou communication, en des lieux interdites sans aucune forme que ce soit sans autorisation écrite du propriétaire. Propriété de c FCI. Droits de reproduction FCI.

All rights strictly reserved. Reproduction or issue in any form wherever is not permitted without written authority from the proprietor. Property of FCI. Copyright FCI.



CODE	DIM "M" MATING LENGTH	CONTACT TYPE
U	.270 [6.86]	SIGNAL
T	.270 [6.86]	SIGNAL
S	.270 [6.86]	SIGNAL
R	.270 [6.86]	SIGNAL
PA	N/A [N/A]	POWER
HA	N/A [N/A]	HOLD-DOWN
E	.220 [5.59]	SIGNAL

mat'l code		SEE NOTE 2		tolerances unless otherwise specified	
ltr	ecm no.	dr	date	linear	XX±.01/0.XX±0.3
A	V03-0683	MEM	6/18/03	linear	XXX±.005/0.XX±0.13
B	DG05-0300	GuoJM	08/26/05	angles	XXXX±.002/0.XX±0.051
C	DG05-0560	CS	12/26/05		
D	DG08-0253	SH	09/13/08	dr	M. MOSTOLLER 6/18/03
				enrg	M. MOSTOLLER 6/18/03
				chr	H. BREMBAKER 6/18/03
				oppd	M. MOSTOLLER 6/18/03

CUSTOMER		FCI	
COPY		www.fciconnect.com	
projection	title	3P + 12S + 3P	
INCH/MM	RIGHT ANGLE SOLDER HEADER		
scale	product family	PwrBlade	
1:1	size	code	
	dwg no	213	
	51730-079	sheet	
		1 of 4	

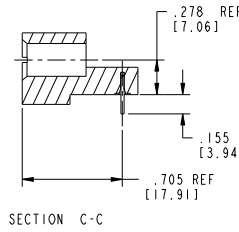
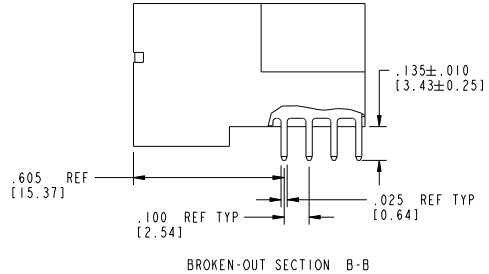
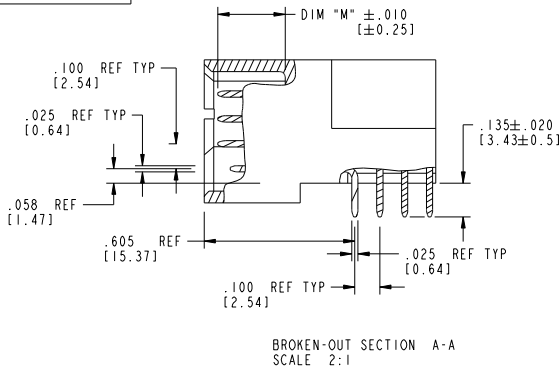
sheet index	revision sheet	D	D	D	D	D	D	D	D
1	2	3	4						

Tous droits strictement réservés. Reproduction ou communication, en des lieux interdite sans aucune forme que ce soit sans autorisation écrite du propriétaire. Propriété de c FCI. Droits de reproduction FCI.



All rights strictly reserved. Reproduction or issue in any form wherever is not permitted without written authority from the proprietor. Property of FCI. Copyright FCI.

PRODUCT NUMBER
51730-079...
NOTE: 3



mat'l code		SEE NOTE 2	tolerances unless otherwise specified		CUSTOMER	FCI		www.fciconnect.com	
ltr	ecm no.	dr	date	linear	XX±.01/0.XX±0.3	COPY		title	
D				linear	XXX±.005/0.XX±0.13	projection		3P + 12S + 3P	
				angles	XXX±.0020/0.XX±0.051	INCH/MM		RIGHT ANGLE SOLDER HEADER	
				dr	M. MOSTOLLER 6/18/03	scale		product family PwrBlade code	
				enr	M. MOSTOLLER 6/18/03	1:1		size dwg no 51730-079 code	
				chr	H. BREWSTER 6/18/03			213	
				appd	M. MOSTOLLER 6/18/03			sheet	
sheet index	revision sheet							2 of 4	

Pro/E

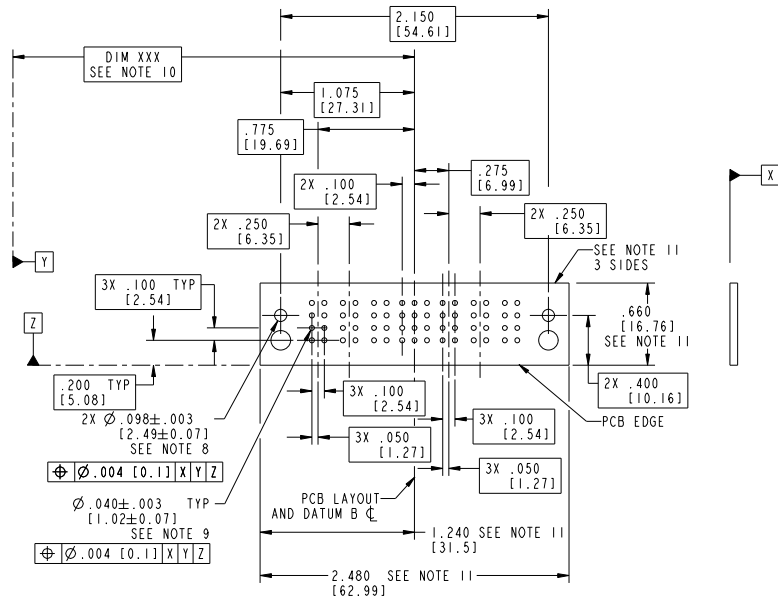
cage code 22526

Tous droits strictement réservés. Reproduction ou communication, en des lieux interdite sans aucune forme que ce soit sans autorisation écrite du propriétaire. Propriété de c FCI. Droits de reproduction FCI.



All rights strictly reserved. Reproduction or issue in any form wherever is not permitted without written authority from the proprietor. Property of FCI. Copyright FCI.

PRODUCT NUMBER
51730-079...
NOTE: 3



RECOMMENDED PCB LAYOUT

mat'l code		SEE NOTE 2	tolerances unless otherwise specified	CUSTOMER	www.fciconnect.com
ltr	ecm no.	dr	date	linear	
D				linear $XX \pm .01/0. XX \pm 0.3$ $XXX \pm .005/0. XX \pm 0.13$ $XXXX \pm .002/0. XX \pm 0.051$ angles $0 \pm .2$	title 3P + 12S + 3P RIGHT ANGLE SOLDER HEADER
dr				M. MOSTOLLER 6/18/03 engr H. BREWBAKER 6/18/03 chr oppd M. MOSTOLLER 6/18/03	product family PwrBlade
sheet index	revision sheet				size A dwg no 51730-079 code 213 sheet 3 of 4

Pro/E

cage code 22526

Tous droits strictement réservés. Reproduction ou communication de ces lignes interdite sans autorisation écrite de FCI. Propriété de FCI. © FCI. Droits de reproduction FCI.

All rights strictly reserved. Reproduction or issue in third parties in any form whatever is not permitted without written authority from the proprietor. Property of FCI. Copyright FCI.

PRODUCT NUMBER
51730-079__
NOTE: 3

NOTES:

1. DIMENSIONS AND TOLERANCES ARE IN ACCORDANCE WITH ASME Y14.5M, 1994 UNLESS OTHERWISE SPECIFIED.

CONNECTOR NOTES:

- ② HOUSING MATERIAL: UL 94 V-0 GLASS FILLED HIGH-TEMP THERMOPLASTIC
POWER CONTACT MATERIAL: COPPER ALLOY
SIGNAL PIN MATERIAL: COPPER ALLOY
- 3. PLATING:
SEE ITEM 1 & 2 IN PRINT 10064183 FOR PLATING SPEC OF 51730-079 AND 51730-079LF RESPECTIVELY
- ④ MANUFACTURER'S NAME, P/N, AND DATE CODE TO APPEAR ON THIS SURFACE.
- 5. PRODUCT SPECIFICATION GS-12-149.
APPLICATION SPECIFICATION BUS-20-067.
- 6. PACKAGED IN TRAYS.
- PCB NOTES:
- 7. ALL HOLE DIAMETERS ARE FINISHED HOLE SIZE.
- ⑧ MOUNTING HOLES, WHERE APPLICABLE, ARE UNPLATED.
- ⑨ $\varnothing .0453 \pm .0010$ [1.151 ± 0.025] DRILLED HOLES PLATED WITH .0003 [0.008] MIN SnPb OVER .001 [0.03] TO .003 [0.08] Cu PLATING TO ACHIEVE $\varnothing .040 \pm .003$ [1.02 ± .07] HOLE.
- ⑩ "DIM XXX" TO BE DETERMINED BY THE CUSTOMER.
- ⑪ CONNECTOR KEEP-OUT ZONE.

12: A \triangle SYMBOL WILL BE NEXT TO ANY DIMENSION, VIEW, OR NOTE WHICH HAS BEEN MODIFIED WITH CURRENT DRAWING VERSION.

mat'l code		SEE NOTE 2	tolerances unless otherwise specified	CUSTOMER	FCI www.fciconnect.com	
ltr	ecm no.	dr	date	linear	projection	title
D				$.XX \pm .01 / 0 .XX \pm 0.3$		3P + 12S + 3P
				$.XXX \pm .005 / 0 .XX \pm 0.13$		RIGHT ANGLE SOLDER HEADER
				angles	$.XXX \pm .0020 / 0 .XX \pm 0.051$	product family PwrBlade
				dr	0 ± 0	code 213
				enr	M. MOSTOLLER 6/18/03	size
				chr	M. MOSTOLLER 6/18/03	dwg no
				oppd	H. BREWBAKER 6/18/03	51730-079
					M. MOSTOLLER 6/18/03	sheet 4 of 4
sheet index	revision sheet					

cage code 22526