

## Excellent Integrated System Limited

Stocking Distributor

Click to view price, real time Inventory, Delivery & Lifecycle Information:

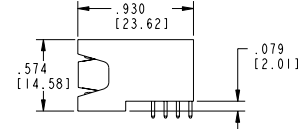
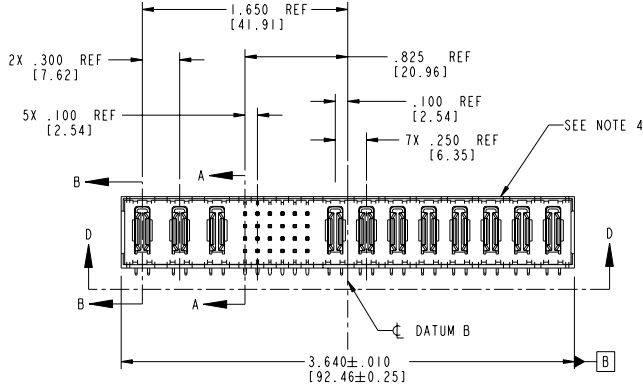
[FCI](#)  
[51516-001](#)

For any questions, you can email us directly:  
[sales@integrated-circuit.com](mailto:sales@integrated-circuit.com)

Tous droits strictement réservés. Reproduction ou communication de ces lignes inférieures sans aucune forme que ce soit sans autorisation écrite du propriétaire. Propriété de FCI. Droits de reproduction FCI.

All rights strictly reserved. Reproduction or issue in any form whatever is not permitted without written authority from the proprietor. Property of FCI. Copyright FCI.

PRODUCT NO. 51516-001-- NOTE:3	ROWS D C B A	POWER			SIGNAL						POWER							
		P1	P2	P3	1	2	3	4	5	6	P4	P5	P6	P7	P8	P9	P10	P11
		PA	PA	PA	UUUUU TTTTT SSSSS RRRRR						PA	PA	PA	PA	PA	PA	PA	PA



CODE	DIM "M" MATING LENGTH	DIM "T" TAIL LENGTH	CONTACT TYPE
E	.220 [5.59]	.135 [3.43]	SIGNAL
R	.270 [6.86]	.135 [3.43]	SIGNAL
S	.270 [6.86]	.135 [3.43]	SIGNAL
T	.270 [6.86]	.135 [3.43]	SIGNAL
U	.270 [6.86]	.135 [3.43]	SIGNAL
PA	N/A [N/A]	.135 [3.43]	POWER

mat'l code				SEE NOTE 2	tolerances unless otherwise specified
ltr	ecr no.	dr	date	linear	$.XX \pm .01 / 0 .XX + 0.3$
A	V90585	CHB	02/23/99	linear	$.XXX \pm .005 / 0 .XX + 0.13$
B	V12517	JWS	12/27/01	linear	$.XXX \pm .0020 / 0 .XX + 0.051$
C	D606-0011	CS	01/09/06	angles	$0^\circ \pm 7^\circ$
		dr	J. SHAEFFER	12/27/01	
		enr	J. ALLISON	12/27/01	
		chr	J. ALLISON	12/27/01	
		oppd	J. ALLISON	12/27/01	

CUSTOMER		FCI	
COPY		www.fciconnect.com	
projection	title	3P + 24S + 8P	
INCH/MM	RIGHT ANGLE SOLDER HEADER		
size	product family	PwrBlade	
scale	dwg no	51516	
1:1	code	213	
	sheet	1 of 4	

sheet index	revision	C	C	C	C
	sheet	1	2	3	4

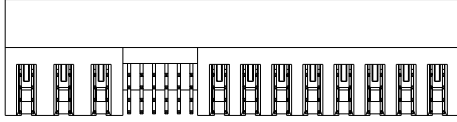
Pro/E

PDM: Rev:C STATUS:Released

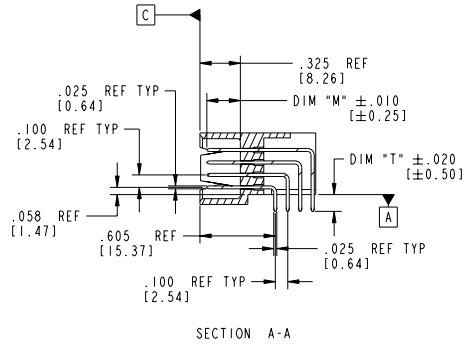
Printed: Dec 20, 2010

Tous droits strictement réservés. Reproduction ou communication de ces plans interdite sans aucune forme que ce soit sans autorisation écrite du propriétaire. Propriété de FCI. Droits de reproduction FCI.

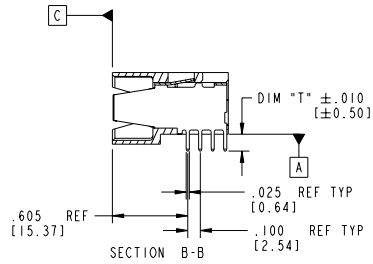
PRODUCT NUMBER  
51516-001  
NOTE: 3



SECTION D-D



SECTION A-A



SECTION B-B

**FCI**

All rights strictly reserved. Reproduction or issue in any form without written authority from the proprietor. Property of FCI. Copyright FCI.

mat'l code		SEE NOTE 2	tolerances unless otherwise specified	CUSTOMER	<b>FCI</b>	www.fciconnect.com
ltr	ecm no.	dr	date	linear	projection	title
C				linear	projection	3P + 24S + 8P
				linear	projection	RIGHT ANGLE SOLDER HEADER
				angles	INCH/MM	product family
				dr	scale	PwrBlade
				enr	1:1	code
				chr		213
				oppd		sheet
						2 of 4
sheet index	revision sheet					

Pro/E

**PDM: Rev:C**

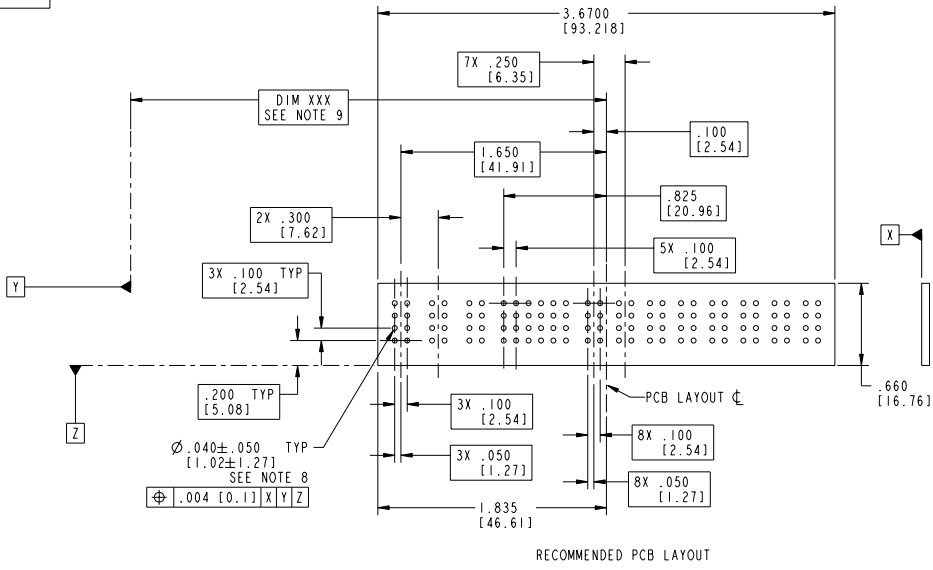
STATUS: **Released**

Printed: Dec 20, 2010

Tous droits strictement réservés. Reproduction ou communication de ces lignes interdite sans autorisation écrite du propriétaire. Propriété de FCI. Droits de reproduction FCI.

All rights strictly reserved. Reproduction or issue to third parties in any form without written authority from the proprietor. Property of FCI. Copyright FCI.

PRODUCT NUMBER  
51516-001  
NOTE: 3



mat'l code		SEE NOTE 2	tolerances unless otherwise specified	CUSTOMER	FCI	
ltr	ecm no.	dr	date	COPY	www.fciconnect.com	
C				projection	title 3P + 24S + 8P	
				INCH/MM	RIGHT ANGLE SOLDER HEADER	
				scale 1:1	product family PwrBlade	code 213
					size dwg no 51516	sheet 3 of 4
sheet index	revision sheet				cage code 22526	4

PDM: Rev:C

STATUS: Released

Printed: Dec 20, 2010

Tous droits strictement réservés. Reproduction ou communication, en tout ou en partie, sans autorisation écrite du propriétaire. Propriété de FCI. Droits de reproduction FCI.

All rights strictly reserved. Reproduction or issue in any form without written authority from the proprietor. Property of FCI. Copyright FCI.

PRODUCT NUMBER  
51516-001  
NOTE: 3

NOTES:

1. DIMENSIONS AND TOLERANCES ARE IN ACCORDANCE WITH ASME Y14.5M, 1994 UNLESS OTHERWISE SPECIFIED.

CONNECTORS NOTES:

② HOUSING MATERIAL: UL 94 V-0 GLASS FILLED HIGH TEMP THERMO PLASTIC  
POWER CONTACT MATERIAL: COPPER ALLOY  
SIGNAL PIN MATERIAL: COPPER ALLOY

3. PLATING:

51516-001, 51516-001LF, PLATING SPEC SEE PRINT: 100064183.

4. "MANUFACTURER" NAME, P/N, AND DATE CODE TO APPEAR ON THIS SURFACE.

5. PRODUCT SPECIFICATION GS-12-149.

PCB - NOTES:

6. ALL HOLE DIAMETERS ARE FINISHED HOLE SIZE.

7.  $\varnothing .0453 \pm 0.0010$  [1.151  $\pm$  0.025] DRILLED HOLES PLATED WITH 0.0003 [0.008] MIN SnPb OVER .001 [0.03] TO .003 [0.08] Cu PLATING TO ACHIEVE  $\varnothing .040 \pm .003$  [1.02  $\pm$  .07] HOLE.

8. "DIM XXX" TO BE DETERMINED BY THE CUSTOMER.

mat'l code		SEE NOTE 2		tolerances unless otherwise specified		CUSTOMER		FCI	
ltr	ecm no.	dr	date	linear	$.XX \pm .01/0$	$.XX \pm 0.3$	COPY		www.fciconnect.com
C					$.XXX \pm .005/0$	$.XX \pm 0.13$	projection	title 3P + 24S + 8P	
				angles	$.XXX \pm .0020/0$	$.XX \pm 0.051$		RIGHT ANGLE SOLDER HEADER	
				dr	$0^\circ \pm 7^\circ$		INCH/MM	product family	PwrBlade
				engr	J. SHAFFER	12/27/01	scale	size	code
				chr	J. ALLISON	12/27/01	1:1	dwg no	213
				appd	J. ALLISON	12/27/01	A	51516	sheet 4 of 4
sheet index	revision sheet								

Pro/E

code code 22526

PDM: Rev:C

STATUS: Released

Printed: Dec 20, 2010