

## Excellent Integrated System Limited

Stocking Distributor

Click to view price, real time Inventory, Delivery & Lifecycle Information:

[FCI](#)  
[51923-001](#)

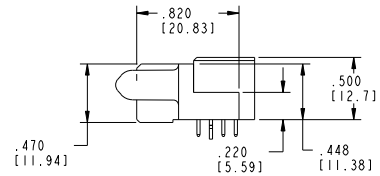
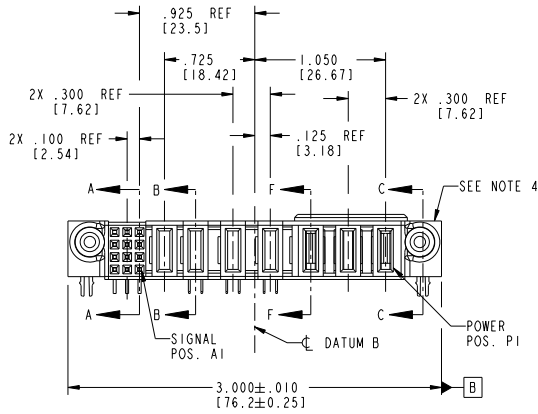
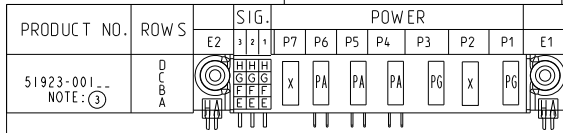
For any questions, you can email us directly:

[sales@integrated-circuit.com](mailto:sales@integrated-circuit.com)

Tous droits strictement réservés. Reproduction ou communication, en des lieux interdites sans aucune forme que ce soit sans autorisation écrite du propriétaire.  
Propriété de c FCI. Droits de reproduction FCI.



All rights strictly reserved. Reproduction or issue in any form wherever is not permitted without written authority from the proprietor.  
Property of FCI. Copyright FCI.



CODE	DIM "M" MATING LENGTH	CONTACT TYPE
E	N/A [N/A]	SIGNAL
F	N/A [N/A]	SIGNAL
G	N/A [N/A]	SIGNAL
H	N/A [N/A]	SIGNAL
PA	.042 [1.07]	POWER
PG	.042 [1.07]	POWER
HA	N/A [N/A]	HOLD-DOWN
X	OMITTED	OMITTED

mat'l code				SEE NOTE 2		tolerances unless otherwise specified	
ltr	ecm no.	dr	date	linear	XX±.01/0.XX±0.3	projection	
A	V03-0129	TAB	01/29/03		XXX±.005/0.XX±0.13		
B	DG05-0192	SJ	06/27/05		XXXX±.0020/0.XX±0.051		
C	DG08-0273	WD	12/10/08	angles	0°±		
				dr	I. BRUNGARD 01/29/03	INCH/MM	
				enr	M. MOSTOLLER 01/29/03	scale	1:1
				chr	M. MOSTOLLER 01/29/03		
				oppd	M. MOSTOLLER 01/29/03		
sheet index	revision sheet	C 1	C 2	C 3	C 4		

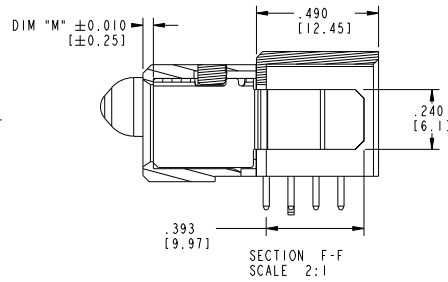
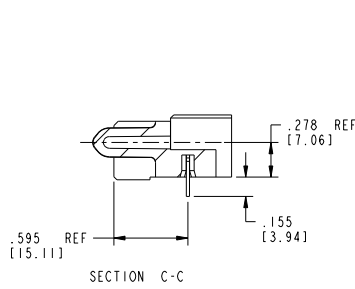
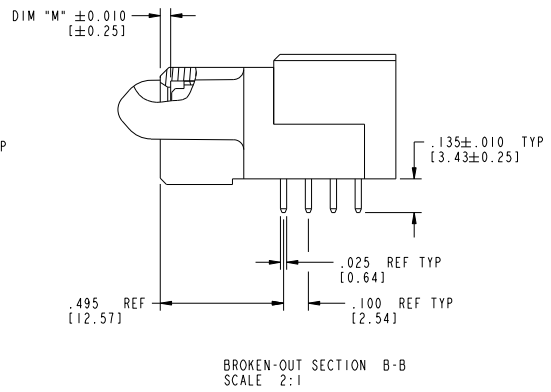
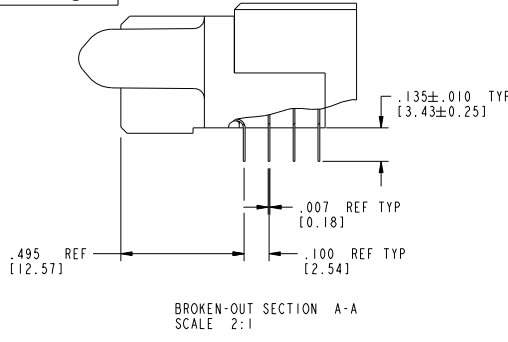
CUSTOMER		FCI	
COPY		www.fciconnect.com	
title		3ACP + 4P + 12S R/A SOLDER RECEPTACLE	
product family		PwrBlade	
size		51923-001	
dwg no		213	
sheet		1 of 4	
code		22526	

Tous droits strictement réservés. Reproduction ou communication, en des lieux interdite sans aucune forme, que ce soit sans autorisation écrite du propriétaire. Propriété de FCI. Droits de reproduction FCI.



All rights strictly reserved. Reproduction or issue in third parties in any form whatever is not permitted without written authority from the proprietor. Property of FCI. Copyright FCI.

PRODUCT NUMBER  
51923-001  
NOTE: ③



mat'l code				SEE NOTE 2	tolerances unless otherwise specified	CUSTOMER	FCI www.fciconnect.com	
ltr	ecn no.	dr	date	linear	XX±.01/0.XX±0.3	COPY	projection	title
C				linear	XXX±.005/0.XX±0.13			3ACP + 4P + 12S R/A SOLDER RECEPTACLE
				angles	XXX±.0020/0.XX±0.051			product family
				dr	0° ± 2°			PwrBlade
				enr	T. BRUNGARD 01/29/03	INCH/MM	scale	code
				chr	M. MOSTOLLER 01/29/03	1:1	size	213
				oppd	M. MOSTOLLER 01/29/03		dwg no	sheet
sheet index	revision sheet						A	2 of 4
							51923-001	

Pro/E

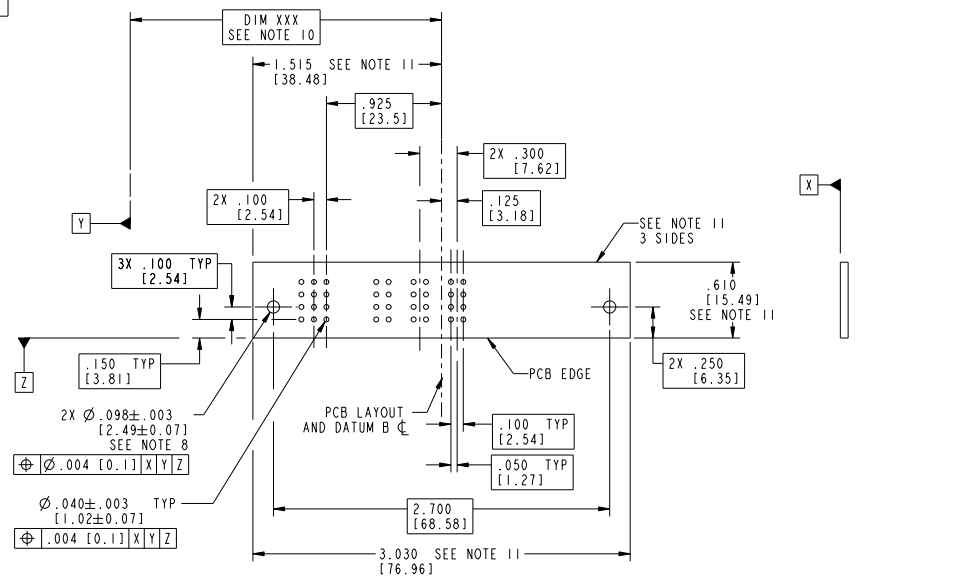
cage code 22526

Tous droits strictement réservés. Reproduction ou communication de ces lignes interdite sans autorisation écrite du propriétaire. Propriété de c FCI. Droits de reproduction FCI.



All rights strictly reserved. Reproduction or issue in third parties in any form without written authority from the proprietor. Property of FCI. Copyright FCI.

PRODUCT NUMBER  
51923-001  
NOTE: ③



mat'l code		SEE NOTE 2	tolerances unless otherwise specified	CUSTOMER	www.fciconnect.com
ltr	ecm no.	dr	date	COPY	
C				linear	title
				angles	3ACP + 4P + 12S R/A SOLDER RECEPTACLE
				dr	product family
				engr	PwrBlade
				chr	size
				appd	dwg no
					51923-001
sheet index	revision sheet			scale	213 sheet 3 of 4
				INCH/MM	
				1:1	

cage code 22526

Tous droits strictement réservés. Reproduction ou communication, en des lieux interdite sans autorisation écrite du propriétaire. Propriété de FCI. Droits de reproduction FCI.

All rights strictly reserved. Reproduction or issue in third parties in any form without written authority from the proprietor. Property of FCI. Copyright FCI.

PRODUCT NUMBER  
51923-001 --  
NOTE: ③

NOTES:

1. DIMENSIONS AND TOLERANCES ARE IN ACCORDANCE WITH ASME Y14.5M, 1994 UNLESS OTHERWISE SPECIFIED.

CONNECTOR NOTES:

- ② HOUSING MATERIAL: UL 94 V-0 GLASS FILLED HIGH-TEMP THERMOPLASTIC  
POWER CONTACT MATERIAL: COPPER ALLOY  
SIGNAL PIN MATERIAL: COPPER ALLOY
- ③ SEE ITEM 5 & 6 IN PRINT 10064183 FOR PLATING SPEC OF 51923-001 AND 51923-001LF RESPECTIVELY.
- ④ MANUFACTURER'S NAME, P/N, AND DATE CODE TO APPEAR ON THIS SURFACE.

5. PRODUCT SPECIFICATION GS-12-149.  
APPLICATION SPECIFICATION BUS-20-067.

6. PACKAGED IN TRAYS.

PCB NOTES:

- 7. ALL HOLE DIAMETERS ARE FINISHED HOLE SIZE.
- ⑧ MOUNTING HOLES, WHERE APPLICABLE, ARE UNPLATED.
- ⑨  $\varnothing .0453 \pm .0010$  [1.151  $\pm$  0.025] DRILLED HOLES PLATED WITH  
.0003 [0.008] MIN SnPb OVER .001 [0.03]  
TO .003 [0.08] Cu PLATING TO ACHIEVE  
 $\varnothing .040 \pm .003$  [1.02  $\pm$  .07] HOLE.
- ⑩ "DIM XXX" TO BE DETERMINED BY THE CUSTOMER.
- ⑪ CONNECTOR KEEP-OUT ZONE.
- 12.  $\Delta$  SYMBOL WILL BE NEXT TO ANY DIMENSION, VIEW, OR NOTE WHICH HAS BEEN MODIFIED WITH THE CURRENT DRAWING REVISION.

mat'l code		SEE NOTE 2		tolerances unless otherwise specified		CUSTOMER		FCI	
ltr	ecm no.	dr	date	linear	$.XX \pm .01 / 0 .XX + 0.3$	COPY		www.fciconnect.com	
C				angles	$.XXX \pm .005 / 0 .XX + 0.13$	projection	title 3ACP + 4P + 12S R/A SOLDER RECEPTACLE		
				dr	$.XXX \pm .0020 / 0 .XX + 0.051$		product	family	PwrBlade
				enrg	T. BRUNGARD 01/29/03	$0^\circ \pm 0^\circ$	size	dwg no	213
				chr	M. MOSTOLLER 01/29/03	$0^\circ \pm 0^\circ$	scale	51923-001	sheet
				oppd	M. MOSTOLLER 01/29/03	INCH/MM	1:1	A	4 of 4
sheet index	revision sheet								

cage code 22526