

Excellent Integrated System Limited

Stocking Distributor

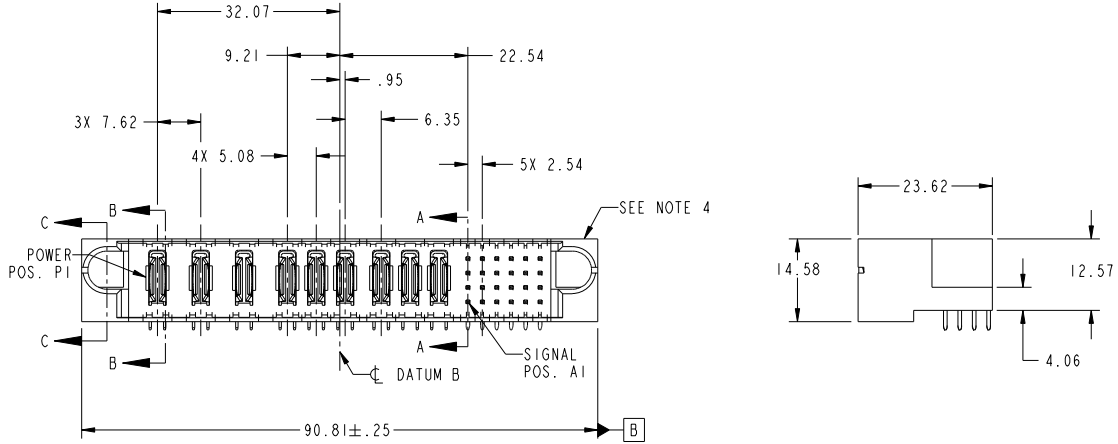
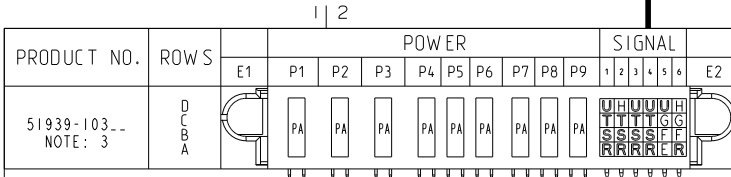
Click to view price, real time Inventory, Delivery & Lifecycle Information:

[FCI](#)
[51939-103](#)

For any questions, you can email us directly:
sales@integrated-circuit.com

Tous droits strictement réservés. Reproduction ou communication à des tiers interdite sous quelque forme que ce soit sans autorisation écrite du propriétaire. Propriété de c FCI. Droits de reproduction FCI.

All rights strictly reserved. Reproduction or issue to third parties in any form whatever is not permitted without written authority from the proprietor. Property of FCI. Copyright FCI.



CODE	DIM. "M" MATING LENGTH	CONTACT TYPE
E	[5.59]	SIGNAL
F	[5.59]	SIGNAL
G	[5.59]	SIGNAL
H	[5.59]	SIGNAL
R	[6.86]	SIGNAL
S	[6.86]	SIGNAL
T	[6.86]	SIGNAL
U	[6.86]	SIGNAL
PA	[N/A]	POWER

mal't code		SEE NOTE		tolerances unless otherwise specified		CUSTOMER	
ltr	ecn no.	dr	date	linear	0.X ± 0.5	COPY	www.fciconnect.com title 9P + 24S RIGHT ANGLE SOLDER HEADER product family PwrBlade code 213 size dwg no 51939-103 sheet 1 of 4
A	V04-0014	TAB	01/12/04	angles	0.XXX ± 0.25	projection	
B	V04-0271	TAB	03/29/04		0° ± 2°	MM	
C	DG05-0464	SW	11/15/05			scale 1:1	
D	DG07-0498	JW	09/12/08	dr	T. BRUNGARD 01/12/04		
				enr	M. GRAY 01/12/04		
				chr	M. GRAY 01/12/04		
				appd	M. GRAY 01/12/04		
sheet index	revision sheet	D 1	D 2	D 3	D 4		

mal't code		SEE NOTE		tolerances unless otherwise specified		CUSTOMER	
ltr	ecn no.	dr	date	linear	0.X ± 0.5	COPY	www.fciconnect.com title 9P + 24S RIGHT ANGLE SOLDER HEADER product family PwrBlade code 213 size dwg no 51939-103 sheet 1 of 4
A	V04-0014	TAB	01/12/04	angles	0.XXX ± 0.25	projection	
B	V04-0271	TAB	03/29/04		0° ± 2°	MM	
C	DG05-0464	SW	11/15/05			scale 1:1	
D	DG07-0498	JW	09/12/08	dr	T. BRUNGARD 01/12/04		
				enr	M. GRAY 01/12/04		
				chr	M. GRAY 01/12/04		
				appd	M. GRAY 01/12/04		
sheet index	revision sheet	D 1	D 2	D 3	D 4		

1 | 2

Pro/E

PDM: Rev: D

STATUS: **Released**

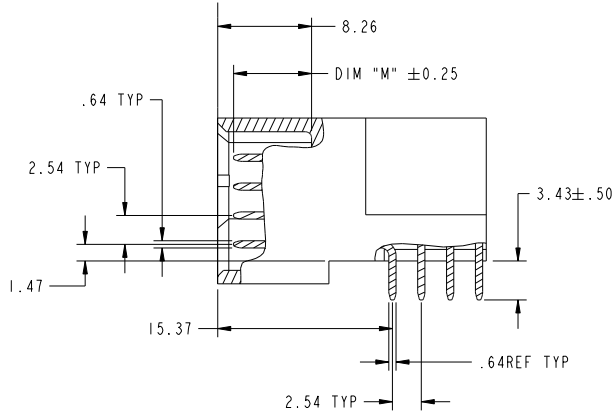
Printed: Dec 20, 2010

Tous droits strictement réservés. Reproduction ou communication à des tiers interdite sous quelque forme que ce soit sans autorisation écrite du propriétaire. Propriété de FCI. Droits de reproduction FCI.

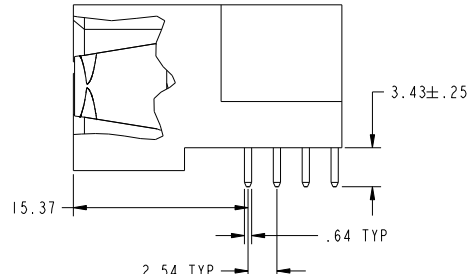
All rights strictly reserved. Reproduction or issue to third parties in any form whatsoever is not permitted without written authority from the proprietor. Property of FCI. Copyright FCI.



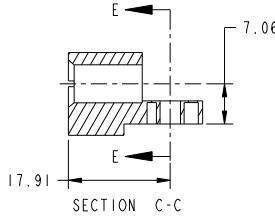
PRODUCT NUMBER
51939-103
NOTE: 3



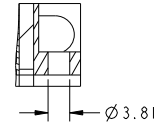
BROKEN-OUT SECTION A-A
SCALE 2:1



BROKEN-OUT SECTION B-B
SCALE 2:1



SECTION C-C



PARTIAL SECTION E-E

mat'l code		SEE NOTE		tolerances unless otherwise specified		CUSTOMER		FCI	
ltr	ecn no.	dr	date	linear	0.X ±0.5	COPY		www.fciconnect.com	
D					0.XX ±0.25	projection		title 9P + 24S	
				angles	0.XXX ±0.10			RIGHT ANGLE SOLDER HEADER	
					0° ±2°	MM		product family	PwrBlade
		dr	T. BRUNGARD	01/12/04		scale	1:1	size	213
		enr	M. GRAY	01/12/04				dwg no	51939-103
		chr	M. GRAY	01/12/04				sheet	2
		appd	M. GRAY	01/12/04				code	
sheet index	revision sheet								

1 | 2

Pro/E

PDM: Rev: D

STATUS: Released

Printed: Dec 20, 2010

1 | 2

3 |

4

A

A

B

B

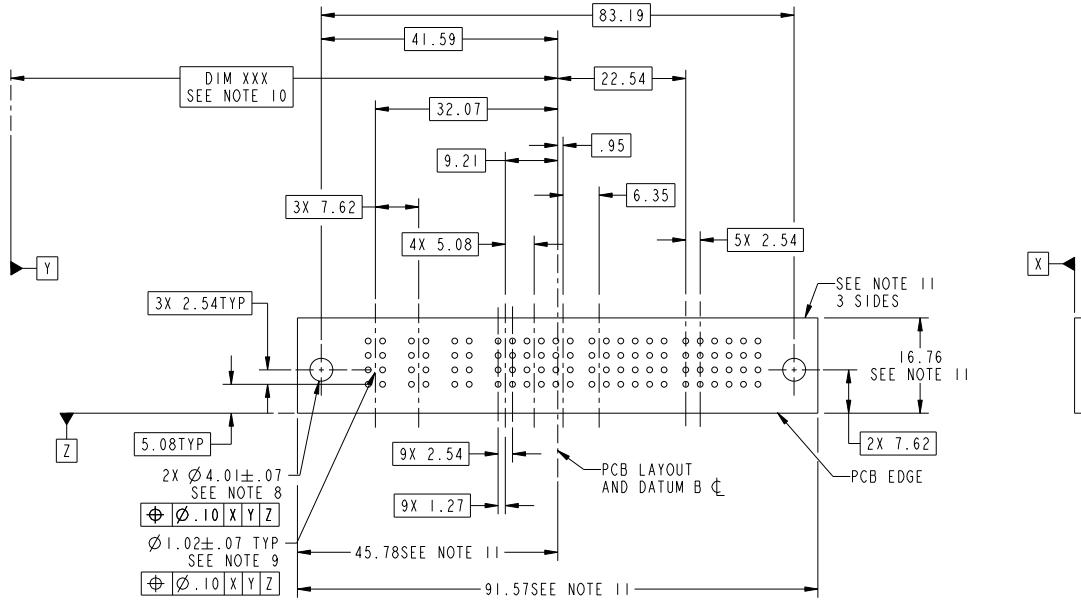
cage code 22536

Tous droits strictement réservés. Reproduction ou communication à des tiers
interdite sous quelque forme que ce soit sans autorisation écrite du propriétaire.
Propriété de FCI. Droits de reproduction FCI.



All rights strictly reserved. Reproduction or issue to third parties in any
form whatever is not permitted without written authority from the proprietor.
Property of FCI. Copyright FCI.

PRODUCT NUMBER
51939-103
NOTE: 3



RECOMMENDED PCB LAYOUT

mat'l code		SEE NOTE		tolerances unless otherwise specified		CUSTOMER		FCI	
ltr	ecn no.	dr	date	linear	0.X ± 0.5	COPY	www.fciconnect.com		
D				angles	0.XX ± 0.25	projection	title 9P + 24S		
					0.XXX ± 0.10	MM	RIGHT ANGLE SOLDER HEADER		
				dr	0° ± 2°	scale	product family	PwrBlade	code
				enr	T. BRUNGARD 01/12/04	1:1	size	dwg no	213
				chr	M. GRAY 01/12/04		A	51939-103	sheet
				appd	M. GRAY 01/12/04				3
sheet index	revision sheet								

1 | 2

Pro/E

PDM: Rev: D

STATUS: **Released**

Printed: Dec 20, 2010

1 | 2

3 |

4

A

A

B

B

cage code 22536

Tous droits strictement réservés. Reproduction ou communication à des tiers interdite sous quelque forme que ce soit sans autorisation écrite du propriétaire. Propriété de c FCI. Droits de reproduction FCI.



All rights strictly reserved. Reproduction or issue to third parties in any form whatever is not permitted without written authority from the proprietor. Property of FCI. Copyright FCI.

PRODUCT NUMBER
51939-103
NOTE: 3

- NOTES:
1. DIMENSIONS AND TOLERANCES ARE IN ACCORDANCE WITH ASME Y14.5M, 1994 UNLESS OTHERWISE SPECIFIED.
- CONNECTOR NOTES:
2. HOUSING MATERIAL: UL 94 V-0 GLASS FILLED HIGH-TEMP THERMOPLASTIC
POWER CONTACT MATERIAL: COPPER ALLOY
SIGNAL PIN MATERIAL: COPPER ALLOY
 3. PLATING:
SEE ITEM I&2 IN PRINT 10064183 FOR PLATING SPEC OF 51939-103; 51939-103LF
 4. MANUFACTURER'S NAME, P/N, AND DATE CODE TO APPEAR ON THIS SURFACE.
 5. PRODUCT SPECIFICATION GS-12-149.
APPLICATION SPECIFICATION BUS-20-067.
 6. PACKAGED IN TRAYS.
- PCB NOTES:
7. ALL HOLE DIAMETERS ARE FINISHED HOLE SIZE.
 8. MOUNTING HOLES, WHERE APPLICABLE, ARE UNPLATED.
 9. $\varnothing 1.151 \pm 0.025$ DRILLED HOLES PLATED WITH) 0.008 MIN SnPb OR Sn OVER 0.03 TO 0.08 Cu PLATING TO ACHIEVE $\varnothing 1.02 \pm 0.07$ HOLE.
 10. "DIM XXX" TO BE DETERMINED BY THE CUSTOMER.
 11. CONNECTOR KEEP-OUT ZONE.
 12. A SYMBOL WILL BE NEXT TO ANY DIMENSION, VIEW, OR NOTE WHICH HAS BEEN MODIFIED WITH THE CURRENT DRAWING REVISION.

mat'l code		SEE NOTE		tolerances unless otherwise specified		CUSTOMER		FCI	
ltr	ecn no.	dr	date	linear	angles	projection	copy	title	www.fciconnect.com
D				$0.X \pm 0.5$	$0.XX \pm 0.25$			9P + 24S	
				$0.XXX \pm 0.10$	$0^\circ \pm 2^\circ$			RIGHT ANGLE SOLDER HEADER	
		dr	T. BRUNGARD	01/12/04				product family PwrBlade	code 213
		enr	M. GRAY	01/12/04		scale 1:1		size	sheet 4
		chr	M. GRAY	01/12/04				dwg no	
		appd	M. GRAY	01/12/04				A 51939-103	
sheet index	revision sheet								