

Excellent Integrated System Limited

Stocking Distributor

Click to view price, real time Inventory, Delivery & Lifecycle Information:

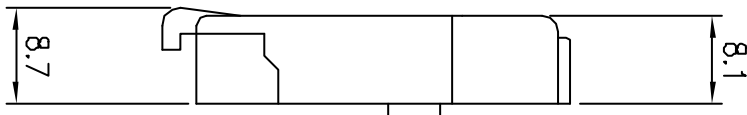
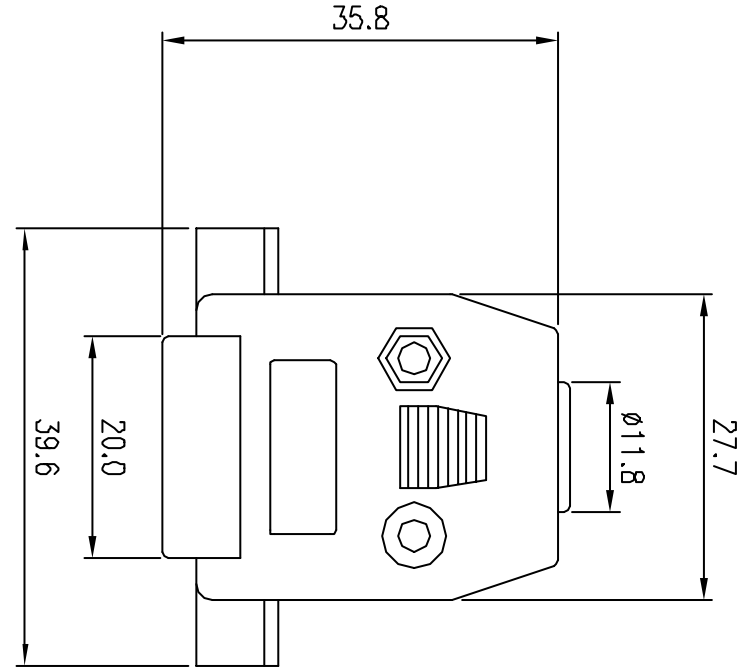
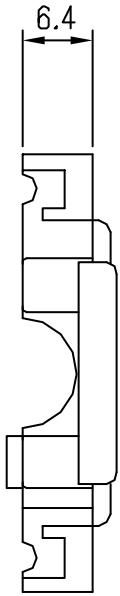
[FCI](#)
[10039450-00001LF](#)

For any questions, you can email us directly:
sales@integrated-circuit.com



All rights strictly reserved. Reproduction or issue to third parties in any form whatever is not permitted without written authority from the proprietor. Property of FCI. Copyright FCI.

Tous droits strictement réservés. Reproduction ou communication à des tiers interdite sous quelque forme que ce soit sans autorisation écrite du propriétaire. Propriété de c FCI. Droits de reproduction FCI.



sheet index		revision		date		drawing		drawing		drawing		drawing		drawing	
sheet	index	revision	sheet	date	date	drawing	drawing	drawing	drawing	drawing	drawing	drawing	drawing	drawing	drawing
1	2	C	C	1	2										
sheet index		revision		date		drawing		drawing		drawing		drawing		drawing	
1	2	C	C	1	2										

mult code	part no	date	description	author	date	drawing	drawing	drawing	drawing	drawing	drawing	drawing	drawing	drawing	drawing
A	T04-0100	J.C	3/23/04	linear											
B	T04-0348	J.C	8/11/04		.XX ±.20										
C	T06-0049	J.H.	03/20/08	angles	0 ±.1										

tolerances unless otherwise specified		CUSTOMER COPY		projection		drawing		drawing		drawing		drawing		drawing	
X ±.30		N/A		MM		A4		A4		A4		A4		A4	
.XX ±.20		N/A		MM		A4		A4		A4		A4		A4	
XXX ±.10		N/A		MM		A4		A4		A4		A4		A4	

drawing		drawing		drawing		drawing		drawing		drawing		drawing		drawing	
drawing		drawing		drawing		drawing		drawing		drawing		drawing		drawing	
drawing		drawing		drawing		drawing		drawing		drawing		drawing		drawing	
drawing		drawing		drawing		drawing		drawing		drawing		drawing		drawing	

ACAD

code code
22526

FCI
www.fcimed.com

PLASTIC HOOD FOR
D-SUB 15PIN

10039450

sheet
1 of 2

1 | 2

3 |

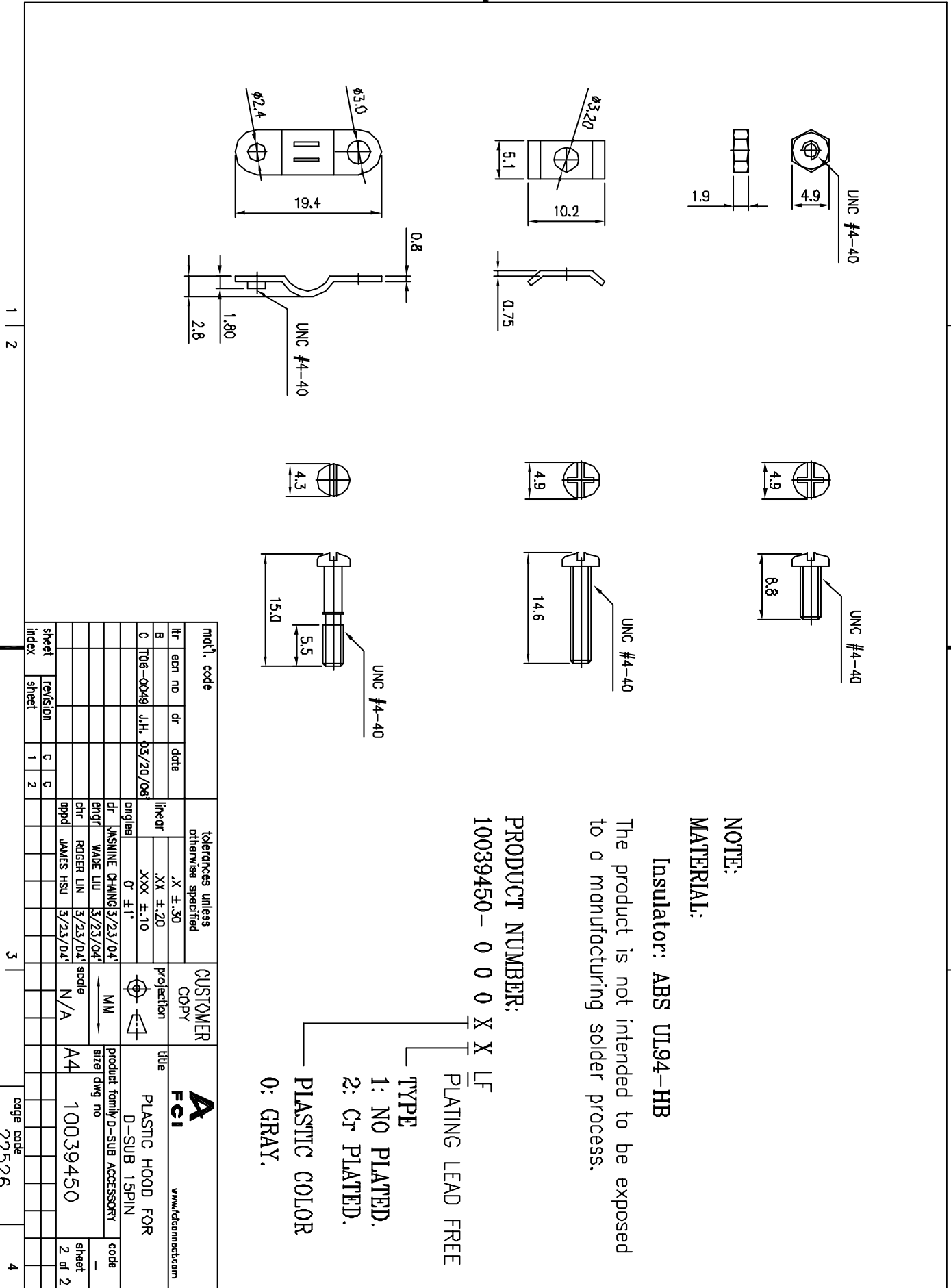
4

A

B

All rights strictly reserved. Reproduction or issue to third parties in any form whatever is not permitted without written authority from the proprietor. Property of FCI. Copyright FCI.

Tous droits strictement réservés. Reproduction ou communication à des tiers interdite sous quelque forme que ce soit sans autorisation écrite du propriétaire. Propriété de FCI. Droits de reproduction FCI.



NOTE:
MATERIAL:
 Insulator: ABS UL94-HB
 The product is not intended to be exposed to a manufacturing solder process.

PRODUCT NUMBER:
 10039450-0 0 0 X X LF
 PLATING LEAD FREE

- TYPE**
- 1: NO PLATED.
- 2: Cr PLATED.
- PLASTIC COLOR**
- 0: GRAY.

mat'l. code		tolerances unless otherwise specified		CUSTOMER COPY		Title	
itr	asn no	dr	date	X ±.30	projection	FCI	www.fciconnect.com
B				.XX ±.20		PLASTIC HOOD FOR	
C	T06-0049	J.H.	03/20/08	XXX ±.10		D-SUB 15PIN	
				0' ±1"		product family D-SUB ACCESSORY	code
						size dwg no	sheet
							2 of 2
sheet	revision	C	C				
index	sheet	1	2				

ACAD

page code
22526