

Excellent Integrated System Limited

Stocking Distributor

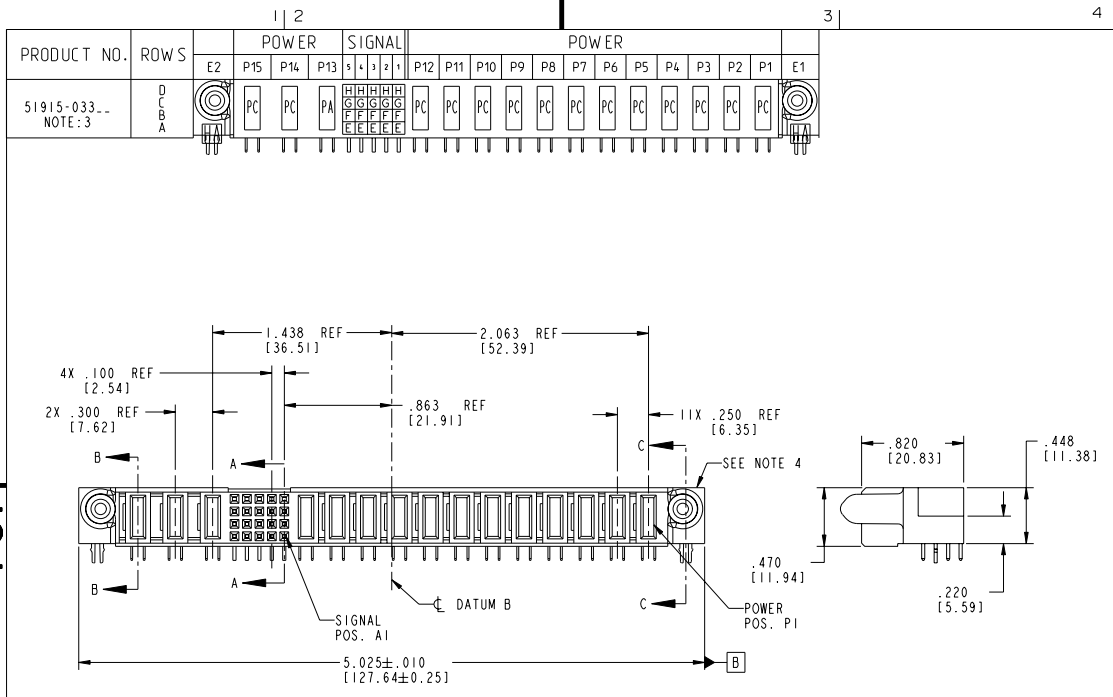
Click to view price, real time Inventory, Delivery & Lifecycle Information:

[FCI](#)
[51915-033](#)

For any questions, you can email us directly:
sales@integrated-circuit.com

Tous droits strictement réservés. Reproduction ou communication, en des lieux interdite sans autorisation écrite du propriétaire. Propriété de FCI. Droits de reproduction FCI.

All rights strictly reserved. Reproduction or issue in any form without written authority from the proprietor. Property of FCI. Copyright FCI.



CODE	DIM "M"	MATING LENGTH	CONTACT TYPE
E	N/A	[N/A]	SIGNAL
F	N/A	[N/A]	SIGNAL
G	N/A	[N/A]	SIGNAL
H	N/A	[N/A]	SIGNAL
PA	.042	[1.07]	POWER
PC	.092	[2.34]	POWER
HA	N/A	[N/A]	HOLD-DOWN

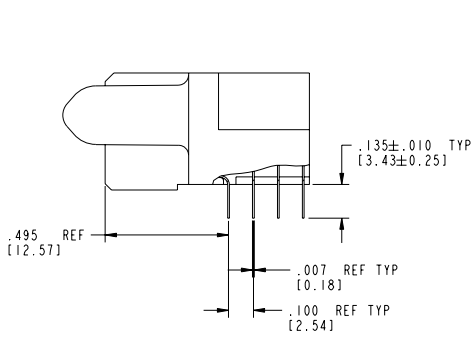
ltr	ecm no.	dr	date	linear	tolerances unless otherwise specified
A	V03-0959	TAB	08/28/03		XX±.01/0.XX±0.3
B	D605-0370	CS	09/30/05		XXX±.005/0.XX±0.13 XXXX±.0020/0.XX±0.051
				angles	0°±
				dr	T. BRUNGARD 08/28/03
				enr	M. MOSTOLLER 08/28/03
				chr	M. MOSTOLLER 08/28/03
				oppd	M. MOSTOLLER 08/28/03

CUSTOMER		FCI	
www.fciconnect.com		www.fciconnect.com	
COPY		projection	
title		12P + 20S + 3ACP R/A SOLDER RECEPTACLE	
product family		PwrBlade	
size		A	
dwg no		51915-033	
code		213	
sheet		1 of 4	
sheet index		1 2 3 4	
revision sheet		B B B B	
		1 2 3 4	

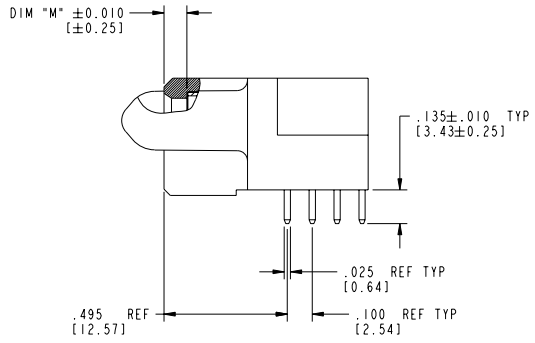
Tous droits strictement réservés. Reproduction ou communication, en tout ou en partie, sans autorisation écrite du propriétaire. Propriété de FCI. Droits de reproduction FCI.

All rights strictly reserved. Reproduction or issue in any form without written authority from the proprietor. Property of FCI. Copyright FCI.

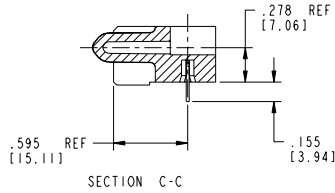
PRODUCT NUMBER
51915-033
NOTE: 3



BROKEN-OUT SECTION A-A
SCALE 2:1



BROKEN-OUT SECTION B-B
SCALE 2:1



SECTION C-C

mat'l code		SEE NOTE 2		tolerances unless otherwise specified		CUSTOMER		FCI	
ltr	ecm no.	dr	date	linear	XX±.01/0. XX±0.3	COPY		www.fciconnect.com	
B				angles	XXX±.005/0. XX±0.13	projection	title 12P + 20S + 3ACP		
				dr	XXXX±.0020/0. XX±0.051	INCH/MM	R/A SOLDER RECEPTACLE		
				engr	0° ± 7°	scale	product family	PwrBlade	code
				chr	T. BRUNGARD 08/28/03	1:1	size	dwg no	213
				appd	W. MOSTOLLER 08/28/03		A	51915-033	sheet
sheet index	revision sheet								2 of 4

Pro/E

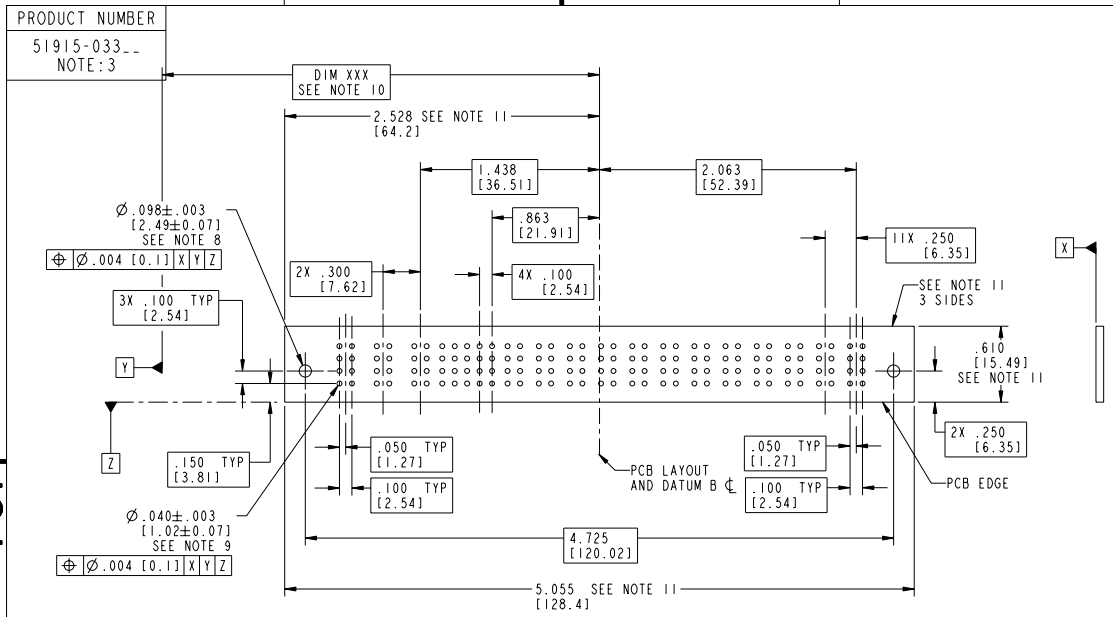
code code 22526

PDM: Rev:B STATUS: **Released**

Printed: Dec 20, 2010

Tous droits strictement réservés. Reproduction ou communication de ces lignes infidèle sans autorisation écrite du propriétaire. Property of FCI. - Droits de reproduction FCI.

All rights strictly reserved. Reproduction or issue in third parties in any form without written permission from the proprietor. Property of FCI. - Copyright FCI.



mat'l code		SEE NOTE 2	tolerances unless otherwise specified		CUSTOMER	 www.fciconnect.com
ltr	ecm no.	dr	date	linear	COPY	
B				$.XX \pm .01/0 .XX \pm 0.3$	projection	title
				$.XXX \pm .005/0 .XX \pm 0.13$		R/A 12P + 20S + 3ACP
				$.XXX \pm .0020/0 .XX \pm 0.051$	INCH/MM	R/A SOLDER RECEPTACLE
				angles	scale	product family
				$0^\circ \pm 7^\circ$	1:1	PwrBlade
				dr	size	code
				T. BRUNGARD 08/28/03	A	213
				engr	dwg no	sheet
				W. MOSTOLLER 08/28/03	51915-033	3 of 4
				chr		
				W. MOSTOLLER 08/28/03		
				appd		
				W. MOSTOLLER 08/28/03		
sheet index	revision sheet				code code	
					22526	

Pro/E

PDM: Rev:B

STATUS: **Released**

Printed: Dec 20, 2010

Tous droits strictement réservés. Reproduction ou communication de ces lignes interditte sans autorisation écrite de FCI. - Droits de reproduction FCI.

All rights strictly reserved. Reproduction or issue in third parties in any form without written authority from the proprietor. Property of FCI. Copyright FCI.

1 2	3	4																																																													
PRODUCT NUMBER 51915-033 NOTE: 3																																																															
NOTES: 1. DIMENSIONS AND TOLERANCES ARE IN ACCORDANCE WITH ASME Y14.5M, 1994 UNLESS OTHERWISE SPECIFIED. CONNECTOR NOTES: 2. HOUSING MATERIAL: UL 94 V-0 GLASS FILLED HIGH-TEMP THERMOPLASTIC POWER CONTACT MATERIAL: COPPER ALLOY SIGNAL PIN MATERIAL: COPPER ALLOY 3. PLATING: 51915-033 Singal Pin: 30u"/0.76um Au OVER 50u"/1.27um Ni ON THE CONTACT AREA, AND 100u"/2.54um SnPb PLATING OVER 50u"/1.27um Ni ON THE TERMINATION SECTION. Power Pin: 30u"/0.76um Au OVER 50u"/1.27um Ni ON THE CONTACT AREA, AND 100u"/2.54um SnPb PLATING OVER 50u"/1.27um Ni ON THE TERMINATION SECTION. 51915-033LF Singal Pin: 30u"/0.76um Au OVER 50u"/1.27um Ni ON THE CONTACT AREA, AND 78u"/2.00um Sn PLATING OVER 50u"/1.27um Ni ON THE TERMINATION SECTION. Power Pin: 30u"/0.76um Au OVER 50u"/1.27um Ni ON THE CONTACT AREA, AND 78u"/2.00um Sn PLATING OVER 50u"/1.27um Ni ON THE TERMINATION SECTION. PART NUMBER 51915-033LF MEETS EUROPEAN UNION DIRECTIVE AND OTHER ICOUNTRY REGULATIONS AS DESCRIBED IN GS-22-008. THE HOUSING WILL WITHSTAND EXPOSURE TO 260° PEAK TEMPERATURE FOR 10 SECONDS IN A WAVE SOLDER APPLICATION WITH A CIRCUIT BOARD. 4. MANUFACTURER'S NAME, P/N, AND DATE CODE TO APPEAR ON THIS SURFACE. 5. PRODUCT SPECIFICATION GS-12-149, APPLICATION SPECIFICATION BUS-20-067. 6. PACKAGED IN TRAYS. PCB NOTES: 7. ALL HOLE DIAMETERS ARE FINISHED HOLE SIZE. 8. MOUNTING HOLES, WHERE APPLICABLE, ARE UNPLATED. 9. $\varnothing .0453 \pm .0010$ [1.151 ± 0.025] DRILLED HOLES PLATED WITH .0003 [0.008] MIN SnPb OVER .001 [0.03] TO .003 [0.08] Cu PLATING TO ACHIEVE $\varnothing .040 \pm .003$ [1.02 ± .07] HOLE. 10. "DIM XXX" TO BE DETERMINED BY THE CUSTOMER. 11. CONNECTOR KEEP-OUT ZONE.																																																															
<table border="1" style="width: 100%; border-collapse: collapse;"> <tr> <td colspan="2">mat'l code</td> <td>SEE NOTE 2</td> <td>tolerances unless otherwise specified</td> <td>CUSTOMER</td> <td rowspan="2" style="text-align: center;">FCI www.fciconnect.com</td> </tr> <tr> <td>ltr</td> <td>ecm no.</td> <td>dr</td> <td>date</td> <td>COPY</td> </tr> <tr> <td>B</td> <td></td> <td></td> <td></td> <td>projection</td> <td rowspan="2" style="text-align: center;"> title 12P + 20S + 3ACP R/A SOLDER RECEPTACLE </td> </tr> <tr> <td></td> <td></td> <td></td> <td></td> <td>linear</td> </tr> <tr> <td></td> <td></td> <td></td> <td></td> <td>angles</td> <td rowspan="2" style="text-align: center;"> INCH/MM size family PwrBlade code 213 sheet 4 of 4 </td> </tr> <tr> <td></td> <td></td> <td></td> <td></td> <td>dr</td> </tr> <tr> <td></td> <td></td> <td></td> <td></td> <td>eng</td> <td rowspan="2" style="text-align: center;"> scale 1:1 A 51915-033 </td> </tr> <tr> <td></td> <td></td> <td></td> <td></td> <td>chr</td> </tr> <tr> <td></td> <td></td> <td></td> <td></td> <td>appd</td> <td rowspan="2" style="text-align: center;"> code code 22526 4 </td> </tr> <tr> <td></td> <td></td> <td></td> <td></td> <td></td> </tr> <tr> <td>sheet index</td> <td>revision sheet</td> <td></td> <td></td> <td></td> <td></td> </tr> </table>			mat'l code		SEE NOTE 2	tolerances unless otherwise specified	CUSTOMER	FCI www.fciconnect.com	ltr	ecm no.	dr	date	COPY	B				projection	 title 12P + 20S + 3ACP R/A SOLDER RECEPTACLE					linear					angles	INCH/MM size family PwrBlade code 213 sheet 4 of 4					dr					eng	scale 1:1 A 51915-033					chr					appd	code code 22526 4						sheet index	revision sheet				
mat'l code		SEE NOTE 2	tolerances unless otherwise specified	CUSTOMER	FCI www.fciconnect.com																																																										
ltr	ecm no.	dr	date	COPY																																																											
B				projection	 title 12P + 20S + 3ACP R/A SOLDER RECEPTACLE																																																										
				linear																																																											
				angles	INCH/MM size family PwrBlade code 213 sheet 4 of 4																																																										
				dr																																																											
				eng	scale 1:1 A 51915-033																																																										
				chr																																																											
				appd	code code 22526 4																																																										
sheet index	revision sheet																																																														
1 2	3	4																																																													