

Excellent Integrated System Limited

Stocking Distributor

Click to view price, real time Inventory, Delivery & Lifecycle Information:

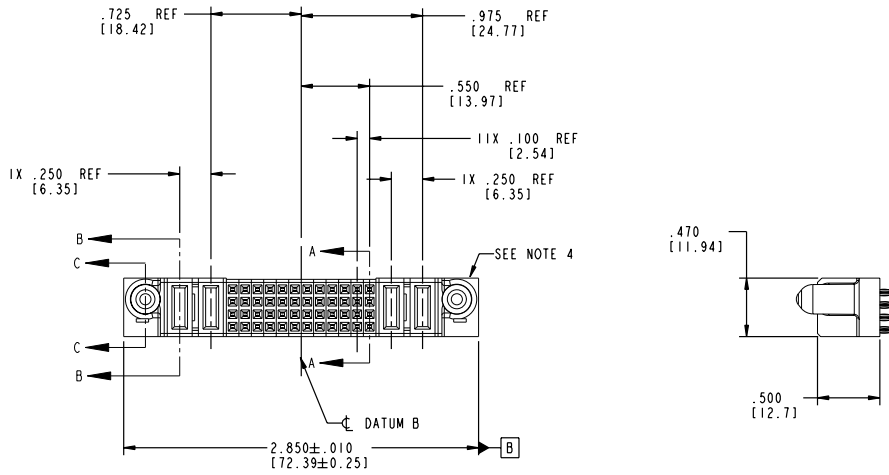
[FCI](#)
[51750-031LF](#)

For any questions, you can email us directly:
sales@integrated-circuit.com

Tous droits strictement réservés. Reproduction ou communication à des fins inférieures sans aucune forme que ce soit sans autorisation écrite du propriétaire. Propriété de c FCI. Droits de reproduction FCI.

All rights strictly reserved. Reproduction or issue in any form whatever is not permitted without written authority from the proprietor. Property of FCI. Copyright FCI.

PRODUCT NO. 51750-031-- NOTE: ③	ROWS D C A	POWER			SIGNAL										POWER				
		E2	P4	P3	24	23	22	21	20	19	18	17	16	15	14	13	12	11	P2



CODE	DIM "M" MATING LENGTH	CONTACT TYPE
F	N/A [N/A]	SIGNAL
PC	.042 [1.07]	POWER
PF	.092 [2.34]	POWER

mat'l code		SEE NOTE 2	tolerances unless otherwise specified		CUSTOMER	FCI www.fciconnect.com	
ltr	ecn no.	dr	date	linear	COPY	title	
A	V20986	JWS	06-04-02	$.119 \pm .005 / 0.119 \pm 0.13$	projection	2P + 48S + 2P	
B	DG05-0212	SJ	07/07/05	$.192 \pm .0020 / 0.192 \pm 0.051$		VERT. PRESS-FIT RECEPT.	
				angles	$0^\circ \pm 7^\circ$	product family	PwrBlade
				dr	J. SHAFER 06-04-02	size	dwg no
				enr	W. MOSTOLLER 06-04-02	scale	51750-031
				chr	W. MOSTOLLER 06-04-02		213
				oppd	W. MOSTOLLER 06-04-02		sheet of 4
sheet index	revision sheet	B	B	B	B	code code	
		1	2	3	4	22526	

Pro/E

PDM: Rev:B

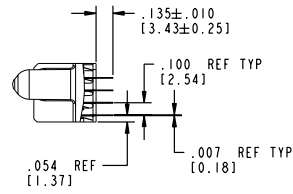
STATUS: Released

Printed: Dec 20, 2010

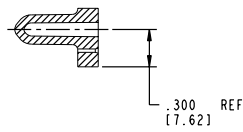
Tous droits strictement réservés. Reproduction ou communication à des fins interdites sans aucune forme que ce soit sans autorisation écrite du propriétaire. Propriété de c FCI. Droits de reproduction FCI.

All rights strictly reserved. Reproduction or issue to third parties in any form whatever is not permitted without written authority from the proprietor. Property of FCI. Copyright FCI.

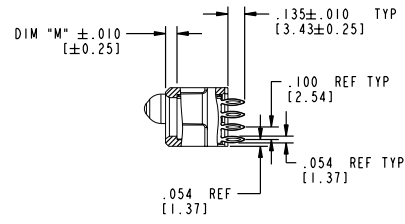
PRODUCT NUMBER
51750-031..
 NOTE: ③



SECTION A-A



SECTION C-C



SECTION B-B

mat'l code		SEE NOTE 2	tolerances unless otherwise specified		CUSTOMER	FCI	
ltr	ecm no.	dr	date	linear	COPY	www.fciconnect.com	
B				$XX \pm .01/0$ $YY \pm 0.3$	projection	title	
				$XXX \pm .002/0$ $YYY \pm 0.051$		2P + 48S + 2P VERT. PRESS-FIT RECEPT.	
				angles	$0^\circ \pm 7^\circ$	product family	PwrBlade
				dr	J. SHAFFER 06-04-02	size	dwg no
				engr	W. MOSTOLLER 06-04-02	scale	1:1
				chr	W. MOSTOLLER 06-04-02	code	213
				appd	W. MOSTOLLER 06-04-02	sheet	2
sheet index	revision sheet					code code	22526

Pro/E

PDM: Rev:B

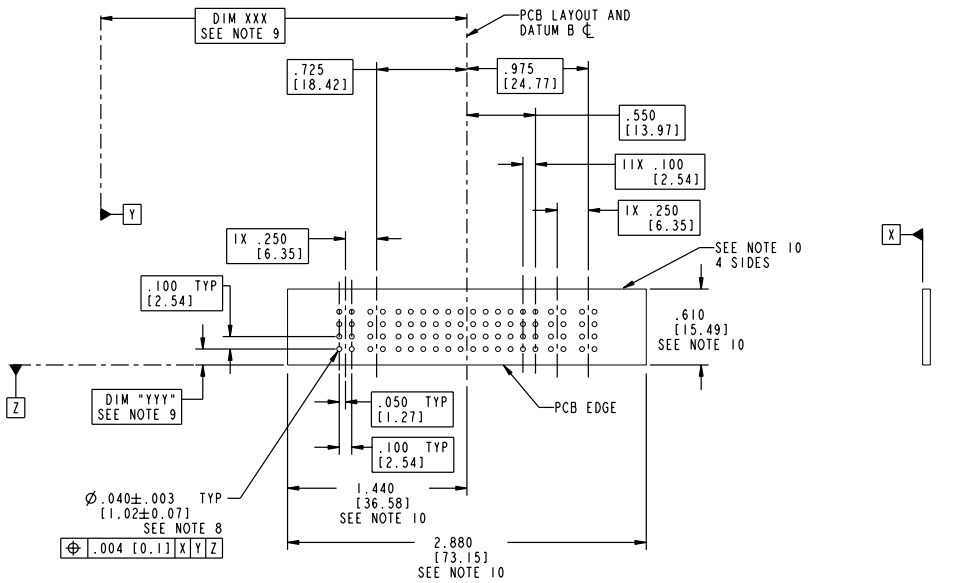
STATUS: **Released**

Printed: Dec 20, 2010

Tous droits strictement réservés. Reproduction ou communication, en tout ou en partie, sans autorisation écrite du propriétaire. Propriété de FCI. Droits de reproduction FCI.

All rights strictly reserved. Reproduction or issue in any form without written authority from the proprietor. Property of FCI. Copyright FCI.

PRODUCT NUMBER
51750-031..
NOTE: ③



mat'l code				SEE NOTE 2		tolerances unless otherwise specified		CUSTOMER	
ltr	ecn no.	dr	date	linear	$XX \pm .01/0$	$YY \pm 0.3$	COPY		www.fciconnect.com 2P + 48S + 2P VERT. PRESS-FIT RECEPT.
B				angles	$XXX \pm .005/0$	$YY \pm 0.13$	projection	INCH/MM	
				dr	$XXX \pm .0020/0$	$YY \pm 0.051$	product family	PwrBlade	code
				engr	J. SHAFFER	06-04-02	size	51750-031	213
				chr	W. MOSTOLLER	06-04-02	scale	1:1	sheet
				appd	W. MOSTOLLER	06-04-02			3
sheet index		revision sheet							

code code **22526**

PDM: Rev:B

STATUS: **Released**

Printed: Dec 20, 2010

Tous droits strictement réservés. Reproduction ou communication de ces lignes interdite sans aucune forme que ce soit sans autorisation écrite du propriétaire. Propriété de FCI. Droits de reproduction FCI.

All rights strictly reserved. Reproduction or issue in any form whatever is not permitted without written authority from the proprietor. Property of FCI. Copyright FCI.

PRODUCT NUMBER
51750-031..
NOTE: ③

NOTES:

1. DIMENSIONS AND TOLERANCES ARE IN ACCORDANCE WITH ASME Y14.5M, 1994 UNLESS OTHERWISE SPECIFIED.

CONNECTORS NOTES:

② HOUSING MATERIAL: UL 94 V-0 GLASS FILLED HIGH-TEMP THERMOPLASTIC
POWER CONTACT MATERIAL: COPPER ALLOY
SIGNAL PIN MATERIAL: COPPER ALLOY

③ PLATING:

51750-031 Singal Pin: 30u"/0.76um Au OVER 50u"/1.27um Ni ON THE CONTACT AREA,
AND 100u"/2.54um SnPb PLATING OVER 50u"/1.27um Ni ON THE TERMINATION SECTION.
Power Pin: 30u"/0.76um Au OVER 50u"/1.27um Ni ON THE CONTACT AREA,
AND 100u"/2.54um SnPb PLATING OVER 50u"/1.27um Ni ON THE TERMINATION SECTION.

51750-031LF Singal Pin: 30u"/0.76um Au OVER 50u"/1.27um Ni ON THE CONTACT AREA,
AND 78u"/2.00um Sn PLATING OVER 50u"/1.27um Ni ON THE TERMINATION SECTION.
Power Pin: 30u"/0.76um Au OVER 50u"/1.27um Ni ON THE CONTACT AREA,
AND 78u"/2.00um Sn PLATING OVER 50u"/1.27um Ni ON THE TERMINATION SECTION.

PART NUMBER 51750-031LF MEETS EUROPEAN UNION DIRECTIVE AND OTHER COUNTRY REGULATIONS AS DESCRIBED IN GS-22-008.

THE HOUSING WILL WITHSTAND EXPOSURE TO 260° PEAK TEMPERATURE FOR 10 SECONDS IN A WAVE SOLDER APPLICATION WITH A CIRCUIT BOARD.

④ MANUFACTURER'S NAME, P/N, AND DATE CODE TO APPEAR ON THIS SURFACE.

⑤ PRODUCT SPECIFICATION GS-12-149.
APPLICATION SPECIFICATION BUS-20-067.

PCB - NOTES:

- 6. ALL HOLE DIAMETERS ARE FINISHED HOLE SIZE.
- 7. MOUNTING HOLES, WHERE APPLICABLE, ARE UNPLATED.
- 8. $\varnothing .0453 \pm 0.0010$ [1.151 ± 0.025] DRILLED HOLES PLATED WITH 0.0003 [0.008] MIN SnPb OVER .001 [0.03] TO .003 [0.08] Cu PLATING TO ACHIEVE $\varnothing .040 \pm .003$ [1.02 ± .07] HOLE.
- 9. "DIM XXX" AND "DIM YYY" TO BE DETERMINED BY THE CUSTOMER.
- 10. CONNECTOR KEEP-OUT ZONE.]

mat'l code		SEE NOTE 2		tolerances unless otherwise specified		CUSTOMER		FCI	
ltr	ecm no.	dr	date	linear	angular	COPY		www.fciconnect.com	
B				$.01 \pm .01 / 0 .01 \pm 0.13$	$.01 \pm .01 / 0 .01 \pm 0.13$	projection		title	
				$.002 \pm .002 / 0 .002 \pm 0.051$	$.002 \pm .002 / 0 .002 \pm 0.051$	INCH/MM		2P + 48S + 2P	
				dr	eng	scale		VERT. PRESS-FIT RECEPT.	
				J. SHAFFER 06-04-02	N. MOSTOLLER 06-04-02	1:1		product family PwrBlade code	
				chr	oppd			size 51750-031	
				N. MOSTOLLER 06-04-02	N. MOSTOLLER 06-04-02			213	
sheet index	revision sheet							4	

Pro/E

PDM: Rev:B

STATUS: Released

Printed: Dec 20, 2010