

Excellent Integrated System Limited

Stocking Distributor

Click to view price, real time Inventory, Delivery & Lifecycle Information:

[FCI](#)

[51940-047](#)

For any questions, you can email us directly:

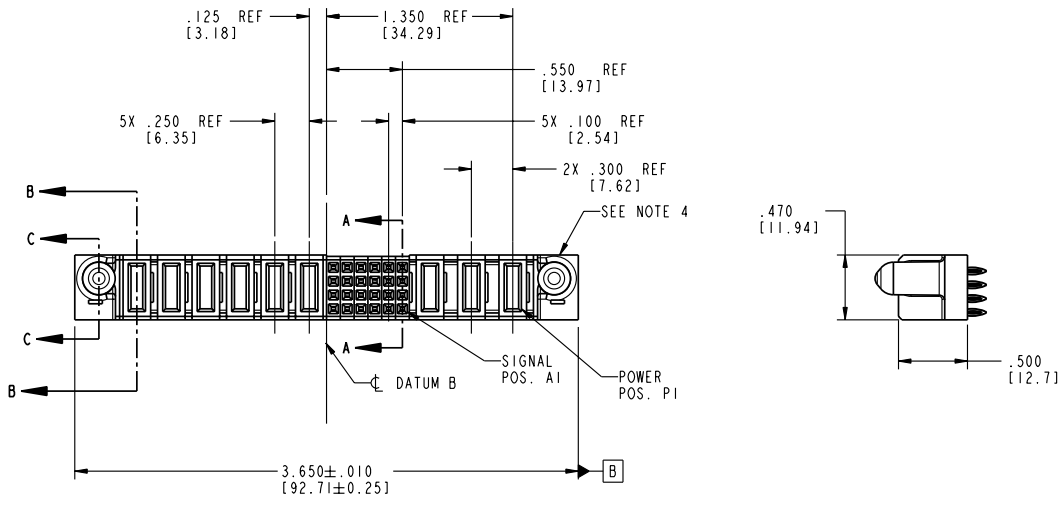
sales@integrated-circuit.com

Tous droits strictement réservés. Reproduction ou communication à des tiers interdite sous quelque forme que ce soit sans autorisation écrite du propriétaire. Propriété de FCI. Droits de reproduction FCI.

FCI

All rights strictly reserved. Reproduction or issue to third parties in any form whatever is not permitted without written authority from the proprietor. Property of FCI. Copyright FCI.

PRODUCT NO.	ROWS	POWER						SIGNAL						POWER			E1
		E2	P9	P8	P7	P6	P5	P4	6	5	4	3	2	1	P3	P2	
51940-047	D C B A																



CODE	DIM "M" MATING LENGTH	CONTACT TYPE
PF	.092 [2.34]	POWER
F	N/A [N/A]	SIGNAL
PC	.042 [1.07]	POWER

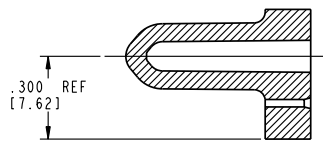
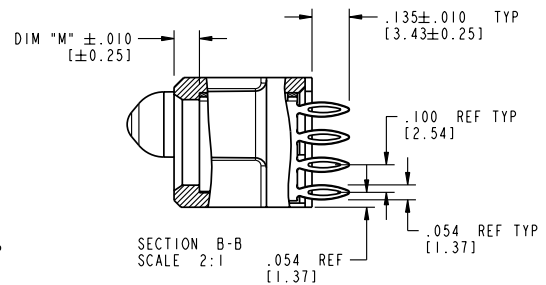
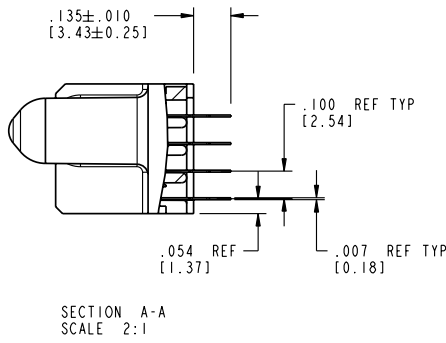
mat'l code		SEE NOTE 2	tolerances unless otherwise specified		CUSTOMER	FCI www.fciconnect.com
ltr	ecm no.	dr	date	linear	COPY	
A	V03-0705	MEM	6/25/03	.XX±.01/0.XY±0.3	projection	title 3ACP + 24S + 6P VERTICAL PRESS FIT RECEPT
				angles .XXX±.005/0.XXX±0.13	INCH/MM	
				dr M. MOSTOLLER 6/25/03	scale 1:1	product family PwrBlade
				engr M. MOSTOLLER 6/25/03		code 213
				chr H. BREWBAKER 6/25/03		sheet 1 of 4
				appd M. MOSTOLLER 6/25/03		
sheet index	revision sheet	A	A	A	A	
		1	2	3	4	

Pro/E cage code 22526

Tous droits strictement réservés. Reproduction ou communication à des tiers interdite sous quelque forme que ce soit sans autorisation écrite du propriétaire. Propriété de FCI. Droits de reproduction FCI.

All rights strictly reserved. Reproduction or issue to third parties in any form whatsoever is not permitted without written authority from the proprietor. Property of FCI. Copyright FCI.

PRODUCT NUMBER
51940-047



mat'l code		SEE NOTE 2		tolerances unless otherwise specified		CUSTOMER		FCI www.fciconnect.com	
ltr	ecm no.	dr	date	linear	.XX±.01/0.X±0.3	projection	COPY		
A				angles	.XXX±.005/0.XX±0.13		title 3ACP + 24S + 6P		
				dr	.XXX±.002/0.XX±0.051		VERTICAL PRESS FIT RECEPT		
				engr	M. MOSTOLLER 6/25/03	scale	product family PwrBlade		code 213
				chr	H. BREWBAKER 6/25/03	1:1	size 51940-047		sheet 2 of 4
				appd	M. MOSTOLLER 6/25/03				
sheet index	revision sheet								

Pro/E

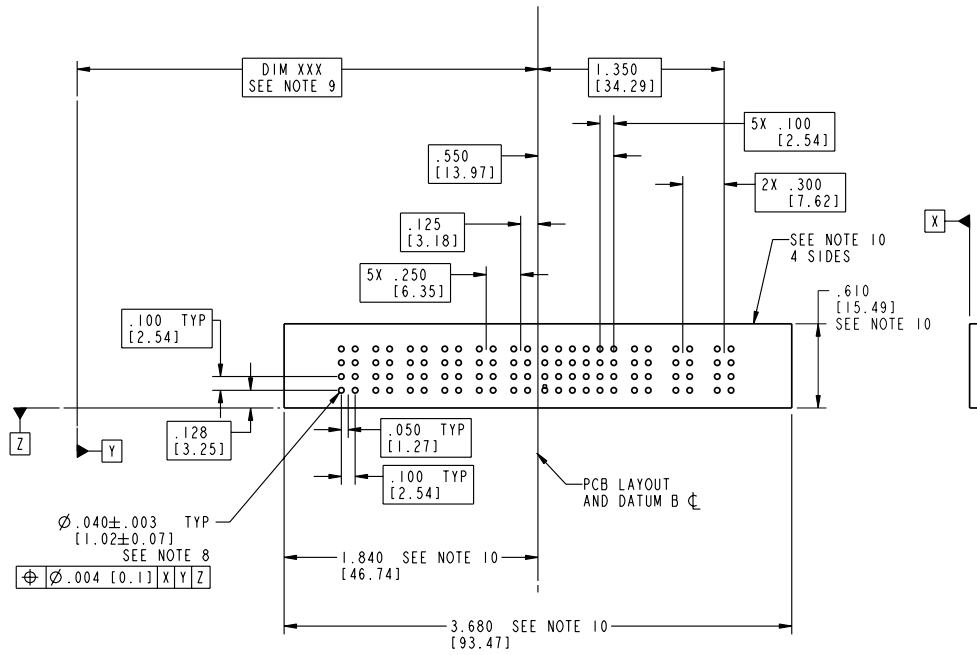
cage code 22526

Tous droits strictement réservés. Reproduction ou communication à des tiers interdite sous quelque forme que ce soit sans autorisation écrite du propriétaire. Propriété de FCI. Droits de reproduction FCI.

FCI

All rights strictly reserved. Reproduction or issue to third parties in any form whatever is not permitted without written authority from the proprietor. Property of FCI. Copyright FCI.

PRODUCT NUMBER
51940-047



mat'l code		SEE NOTE 2		tolerances unless otherwise specified		CUSTOMER		FCI www.fciconnect.com		
ltr	ecm no.	dr	date	linear	.XX±.01/0.X±0.3	projection	COPY	title 3ACP + 24S + 6P		
A				angles	.XXX±.005/0.XX±0.13		INCH/MM	VERTICAL PRESS FIT RECEPT		
				dr	.XXX±.002/0.XXX±0.051			product family	PwrBlade	code
				enrg	M. MOSTOLLER 6/25/03	scale	A	51940-047	sheet	3 of 4
				chr	H. BREWBAKER 6/25/03					
				appd	M. MOSTOLLER 6/25/03					
sheet index	revision sheet							cage code	22526	

Pro/E

22526

Tous droits strictement réservés. Reproduction ou communication à des tiers interdite sous quelque forme que ce soit sans autorisation écrite du propriétaire. Propriété de FCI. Droits de reproduction FCI.

All rights strictly reserved. Reproduction or issue to third parties in any form whatever is not permitted without written authority from the proprietor. Property of FCI. Copyright FCI.

PRODUCT NUMBER
51940-047

NOTES:

1. DIMENSIONS AND TOLERANCES ARE IN ACCORDANCE WITH ASME Y14.5M, 1994 UNLESS OTHERWISE SPECIFIED.

CONNECTOR NOTES:

- ② HOUSING MATERIAL: UL 94 V-0 GLASS FILLED HIGH-TEMP THERMOPLASTIC
 POWER CONTACT MATERIAL: COPPER ALLOY
 SIGNAL PIN MATERIAL: COPPER ALLOY
 - 3. PLATING:
 SIGNAL PINS: 30u"/0.76um Au OVER 50u"/1.27um Ni
 POWER CONTACTS: 50u"/1.27um Ni UNDER ALL WITH 30u"/0.76um Au ON CONTACT AREA AND SnPb ON PCB INTERFACE
 - ④ MANUFACTURER'S NAME, P/N, AND DATE CODE TO APPEAR ON THIS SURFACE.
 - 5. PRODUCT SPECIFICATION GS-12-149. APPLICATION SPECIFICATION BUS-20-067.
- PCB NOTES:
- 6. ALL HOLE DIAMETERS ARE FINISHED HOLE SIZE.
 - 7. MOUNTING HOLES, WHERE APPLICABLE, ARE UNPLATED.
 - ⑧ $\varnothing .0453 \pm .0010$ [1.151 \pm 0.025] DRILLED HOLES PLATED WITH .0003 [0.008] MIN SnPb OVER .001 [0.03] TO .003 [0.08] Cu PLATING TO ACHIEVE $\varnothing .040 \pm .003$ [1.02 \pm .07] HOLE.
 - ⑨ "DIM XXX" TO BE DETERMINED BY THE CUSTOMER.
 - ⑩ CONNECTOR KEEP-OUT ZONE.

mat'l code		SEE NOTE 2		tolerances unless otherwise specified		CUSTOMER		FCI www.fciconnect.com	
ltr	ecm no.	dr	date	linear	.XX±.01/0.X±0.3	projection	COPY	title 3ACP + 24S + 6P	
A				angles	.XXX±.005/0.XX±0.13			VERTICAL PRESS FIT RECEPT	
				dr	.XXX±.002/0.XXX±0.051		INCH/MM	product family	PwrBlade
				engr	M. MOSTOLLER 6/25/03	scale	A	size	dwg no
				chr	H. BREWBAKER 6/25/03	1:1		51940-047	code
				appd	M. MOSTOLLER 6/25/03				213
sheet index	revision sheet								sheet 4 of 4

Pro/E

cage code 22526