

Excellent Integrated System Limited

Stocking Distributor

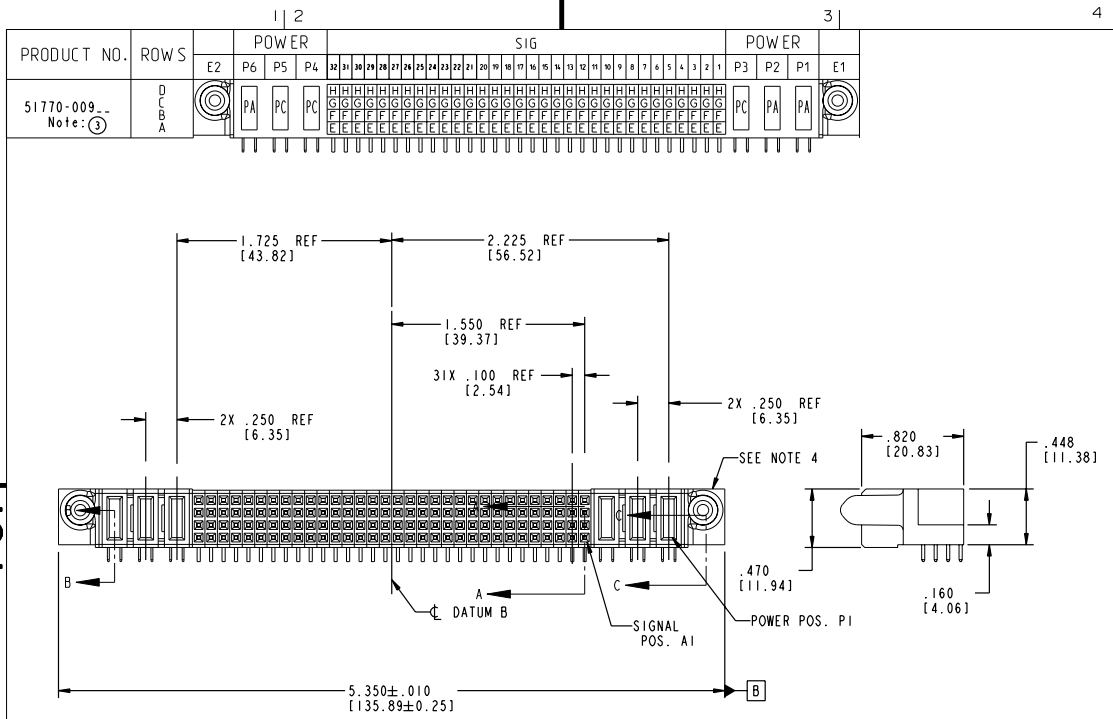
Click to view price, real time Inventory, Delivery & Lifecycle Information:

[FCI](#)
[51770-009](#)

For any questions, you can email us directly:
sales@integrated-circuit.com

Tous droits strictement réservés. Reproduction ou communication à des fins inférieures sans aucune forme que ce soit sans autorisation écrite du propriétaire. Propriété de c FCI. Droits de reproduction FCI.

All rights strictly reserved. Reproduction or issue to third parties in any form whatever is not permitted without written authority from the proprietor. Property of FCI. Copyright FCI.



CODE	DIM "M" MATING LENGTH	CONTACT TYPE
E	N/A [N/A]	SIGNAL
F	N/A [N/A]	SIGNAL
G	N/A [N/A]	SIGNAL
H	N/A [N/A]	SIGNAL
PA	.042 [1.07]	POWER
PC	.092 [2.34]	POWER

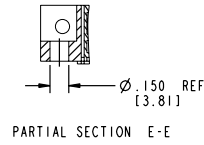
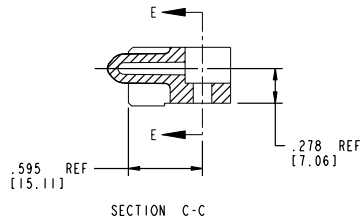
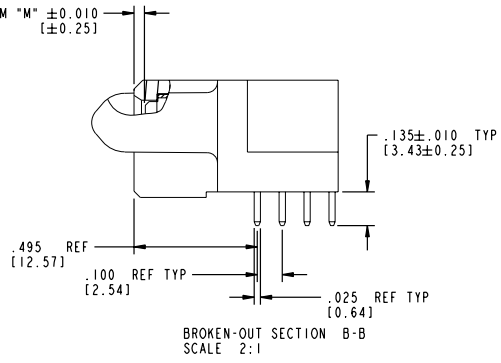
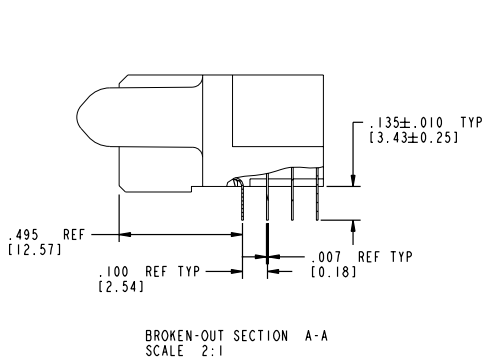
mat'l code		SEE NOTE 2		tolerances unless otherwise specified	
ltr	ecm no.	dr	date	linear	angular
A	V03-0201	DAI	02/21/03	$.010 \pm .005$	$0^\circ \pm 30^\circ$
B	D605-0182	SJ	06/23/05	$.0020/0.0015 \pm 0.001$	$0^\circ \pm 30^\circ$
				dr	D. INGRAM 02/21/03
				enr	N. MOSTOLLER 02/21/03
				chr	N. MOSTOLLER 02/21/03
				oppd	N. MOSTOLLER 02/21/03
sheet index	revision sheet	B 1	B 2	B 3	B 4

CUSTOMER		FCI	
www.fciconnect.com		www.fciconnect.com	
projection	title	3P + 128S + 3P R/A SOLDER RECEPTACLE	
product family	Pwr Blade	code	213
size	dwg no	51770-009	sheet of 4
scale	1:1	code code	22526

Tous droits strictement réservés. Reproduction ou communication, en tout ou en partie, sans autorisation écrite du propriétaire. Propriété de FCI. Droits de reproduction FCI.

All rights strictly reserved. Reproduction or issue in any form without written authority from the proprietor. Property of FCI. Copyright FCI.

PRODUCT NUMBER
51770-009..
 Note: ③



mat'l code				SEE NOTE 2		tolerances unless otherwise specified		CUSTOMER		FCI	
ltr	ecm no.	dr	date	linear	XX±.01/0.XX±0.3	projection	COPY		www.fciconnect.com		
B				angles	XXX±.005/0.XX±0.13	INCH/MM	title		3P + 128S + 3P		
				dr	XXX±.0020/0.XX±0.051	scale	R/A SOLDER RECEPTACLE		PwrBlade		213
				engr	D. INGRAM 02/21/03	1:1	product family		code		2 of 4
				chr	W. MOSTOLLER 02/21/03		size		51770-009		
				appd	W. MOSTOLLER 02/21/03		sheet		2 of 4		
sheet index	revision sheet						code code		22526		

Pro/E

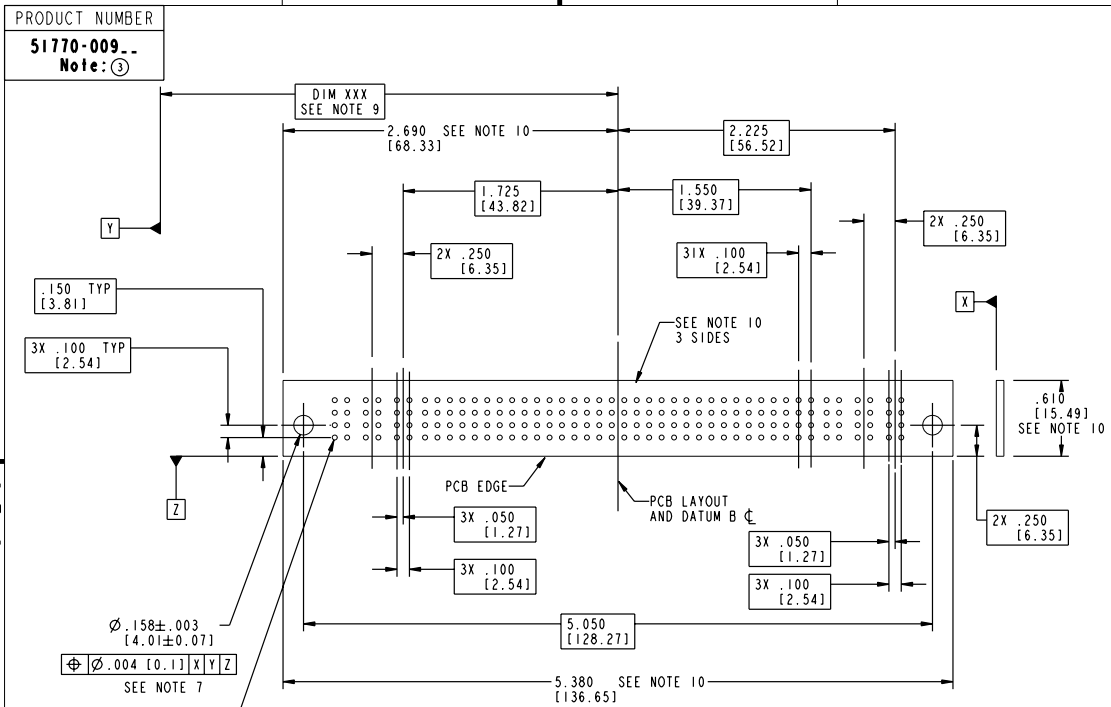
PDM: Rev:B

STATUS: Released

Printed: Dec 20, 2010

Tous droits strictement réservés. Reproduction ou communication de ces lignes infidèle sous quelque forme que ce soit sans autorisation écrite du propriétaire. Propriété de c FCI. Droits de reproduction FCI.

All rights strictly reserved. Reproduction or issue in third parties in any form whatever is not permitted without written authority from the proprietor. Property of FCI. Copyright FCI.



mat'l code		SEE NOTE 2	tolerances unless otherwise specified		CUSTOMER		FCI www.fciconnect.com	
ltr	ecn no.	dr	date	linear	projection	title		
B				$XX \pm .01/0. XX \pm 0.3$	$XX \pm .005/0. XX \pm 0.13$	3P + 128S + 3P		
				angles	$XXX \pm .002/0. XX \pm 0.051$	R/A SOLDER RECEPTACLE		
				dr	D. INGRAM 02/21/03	product	family	PwrBlade
				engr	W. MOSTOLLER 02/21/03	size	dwg no	213
				chr	W. MOSTOLLER 02/21/03	scale	51770-009	3 of 4
				appd	W. MOSTOLLER 02/21/03	sheet		
sheet index	revision	sheet				code code		
						22526		

Pro/E

PDM: Rev:B

STATUS: Released

Printed: Dec 20, 2010

Tous droits strictement réservés. Reproduction ou communication de ces lignes interdit sans autorisation écrite du propriétaire. Property of FCI. - Droits de reproduction FCI.

All rights strictly reserved. Reproduction or issue in third parties in any form whatever is not permitted without written authority from the proprietor. Property of FCI. - Copyright FCI.

PRODUCT NUMBER
51770-009..
Note: ③

NOTES:

1. DIMENSIONS AND TOLERANCES ARE IN ACCORDANCE WITH ASME Y14.5M, 1994 UNLESS OTHERWISE SPECIFIED.

CONNECTOR NOTES:

② HOUSING MATERIAL: UL 94 V-0 GLASS FILLED HIGH-TEMP THERMOPLASTIC
POWER CONTACT MATERIAL: COPPER ALLOY
SIGNAL PIN MATERIAL: COPPER ALLOY

3. PLATING:
51770-009 Singal Pin: 30u"/0.76um Au OVER 50u"/1.27um Ni ON THE CONTACT AREA, AND 100u"/2.54um Sn Pb PLATING OVER 50u"/1.27um Ni ON THE TERMINATION SECTION.
Power Pin: 30u"/0.76um Au OVER 50u"/1.27um Ni ON THE CONTACT AREA, AND 100u"/2.54um Sn Pb PLATING OVER 50u"/1.27um Ni ON THE TERMINATION SECTION.
51770-009LF Singal Pin: 30u"/0.76um Au OVER 50u"/1.27um Ni ON THE CONTACT AREA, AND 78u"/2.00um Sn PLATING OVER 50u"/1.27um Ni ON THE TERMINATION SECTION.
Power Pin: 30u"/0.76um Au OVER 50u"/1.27um Ni ON THE CONTACT AREA, AND 78u"/2.00um Sn PLATING OVER 50u"/1.27um Ni ON THE TERMINATION SECTION.

PART NUMBER 51770-009LF MEETS EUROPEAN UNION DIRECTIVE AND OTHER COUNTRY REGULATIONS AS DESCRIBED IN GS-22-008.

THE HOUSING WILL WITHSTAND EXPOSURE TO 260° PEAK TEMPERATURE FOR 10 SECONDS IN A WAVE SOLDER APPLICATION WITH A CIRCUIT BOARD.

④ MANUFACTURER'S NAME, P/N, AND DATE CODE TO APPEAR ON THIS SURFACE.
5. PRODUCT SPECIFICATION GS-12-149, APPLICATION SPECIFICATION BUS-20-067.

PCB NOTES:

- 6. ALL HOLE DIAMETERS ARE FINISHED HOLE SIZE.
- ⑦ MOUNTING HOLES, WHERE APPLICABLE, ARE UNPLATED.
- ⑧ $\varnothing .0453 \pm .0010$ [1.151 ± 0.025] DRILLED HOLES PLATED WITH .0003 [0.008] MIN SnPb OVER .001 [0.03] TO .003 [0.08] Cu PLATING TO ACHIEVE $\varnothing .040 \pm .003$ [1.02 ± .07] HOLE.
- ⑨ "DIM XXX" TO BE DETERMINED BY THE CUSTOMER.
- ⑩ CONNECTOR KEEP-OUT ZONE.

mat'l code		SEE NOTE 2	tolerances unless otherwise specified		CUSTOMER	FCI www.fciconnect.com	
ltr	ecn no.	dr	date	linear	COPY	projection	title
B				$.XX \pm .01/0 .XX \pm 0.3$			3P + 128S + 3P R/A SOLDER RECEPTACLE
				$.XXX \pm .005/0 .XX \pm 0.13$			
				$.XXX \pm .0020/0 .XX \pm 0.051$			
				angles			
				dr	D. INGRAM	02/21/03	product family
				engr	M. MOSTOLLER	02/21/03	PwrBlade
				chr	M. MOSTOLLER	02/21/03	code
				appd	M. MOSTOLLER	02/21/03	213
sheet index	revision sheet				INCH/MM	scale	size
					1:1	A	51770-009
							4 of 4

Pro/E

PDM: Rev:B

STATUS: Released

Printed: Dec 20, 2010