

Excellent Integrated System Limited

Stocking Distributor

Click to view price, real time Inventory, Delivery & Lifecycle Information:

[FCI](#)
[51750-054](#)

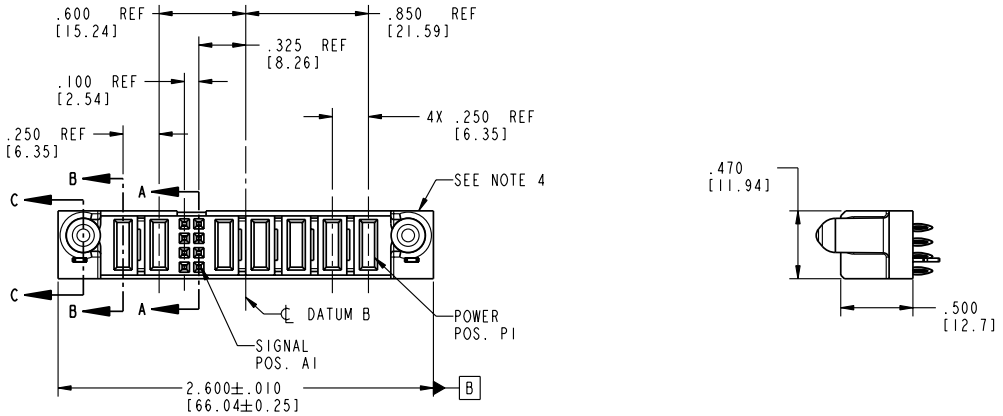
For any questions, you can email us directly:
sales@integrated-circuit.com

Tous droits strictement réservés. Reproduction ou communication, o des liens interdite sous quelque forme que ce soit sans autorisation écrite du propriétaire. Propriété de c FCI. Droits de reproduction FCI.

FCI

All rights strictly reserved. Reproduction or issue to third parties in any form whatever is not permitted without written authority from the proprietor. Property of FCI. Copyright FCI.

PRODUCT NO.	ROWS	POWER				SIG				POWER			
		E2	P7	P6	z	P5	P4	P3	P2	P1	E1		
51750-054	D C B A												



CODE	DIM "M"	MATING LENGTH	CONTACT TYPE
F	N/A	[N/A]	SIGNAL
PC	.042	[1.07]	POWER
PF	.092	[2.34]	POWER
HA	N/A	[N/A]	HOLD-DOWN

mat'l code				SEE NOTE 2		tolerances unless otherwise specified		CUSTOMER	
lir	ecn no.	dr	date	linear	.XX±.01/0.X±0.3	projection	COPY	www.fciconnect.com	
A	V04-0067	TAB	01/21/04	angles	.XXX±.005/0.XX±0.13		title	5P + 8S + 2P	
				dr	.XXX±.002/0.XX±0.051	INCH/MM	product family	VERTICAL PRESS-FIT RECEPT	
				enr	0°±2°	scale	size	PwrBlade	code
				chr		1:1	dwg no	51750-054	213
				appd			sheet	1 of 4	
sheet index	revision sheet	A	A	A	A				
		1	2	3	4				

Pro/E

cage code 22526

PDM: Rev:A

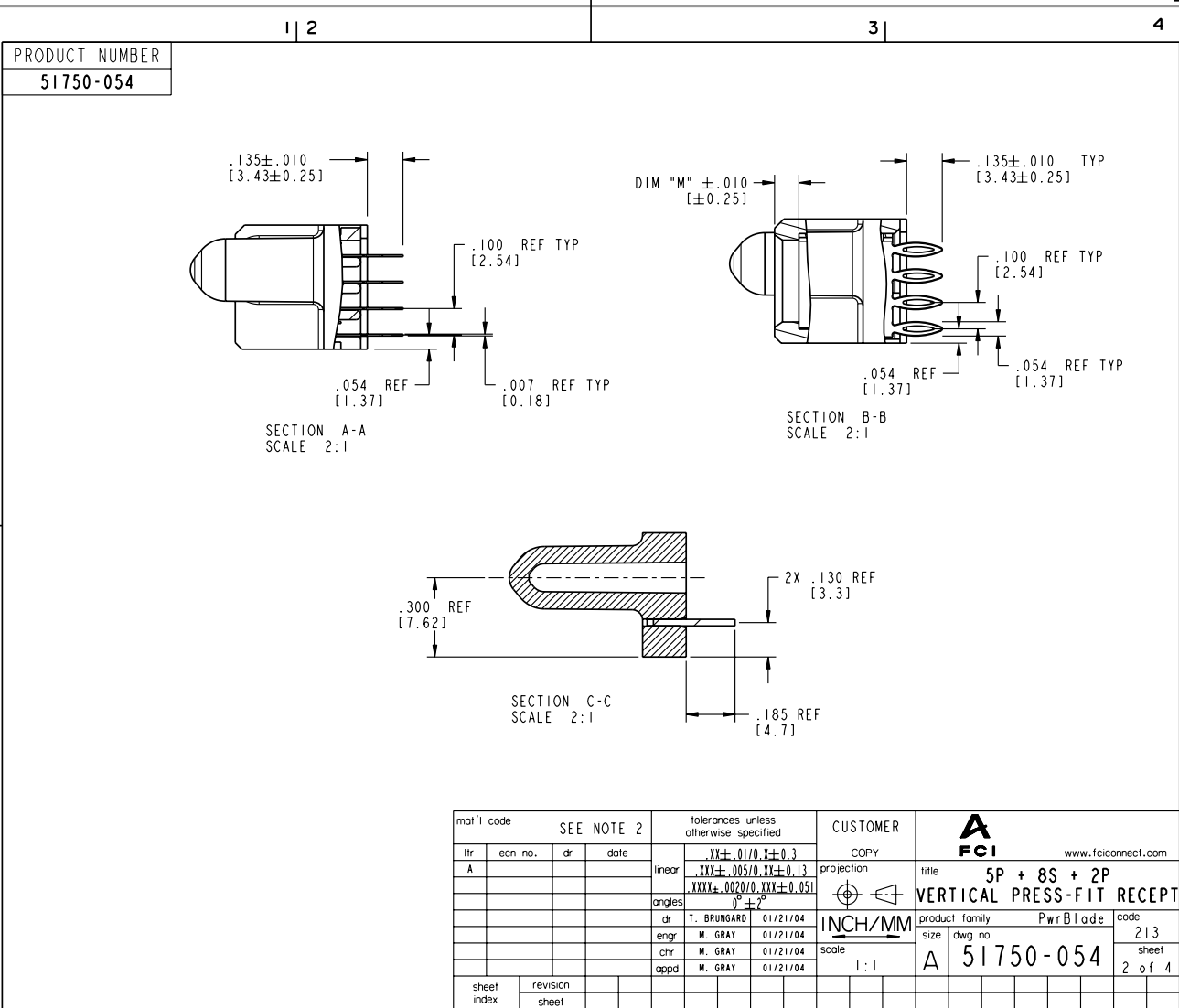
STATUS: Released

Printed: Dec 20, 2010

Tous droits strictement réservés. Reproduction ou communication, o des liens interdite sous quelque forme que ce soit sans autorisation écrite du propriétaire. Propriété de c FCI. Droits de reproduction FCI.

FCI

All rights strictly reserved. Reproduction or issue to third parties in any form whatever is not permitted without written authority from the proprietor. Property of FCI. Copyright FCI.



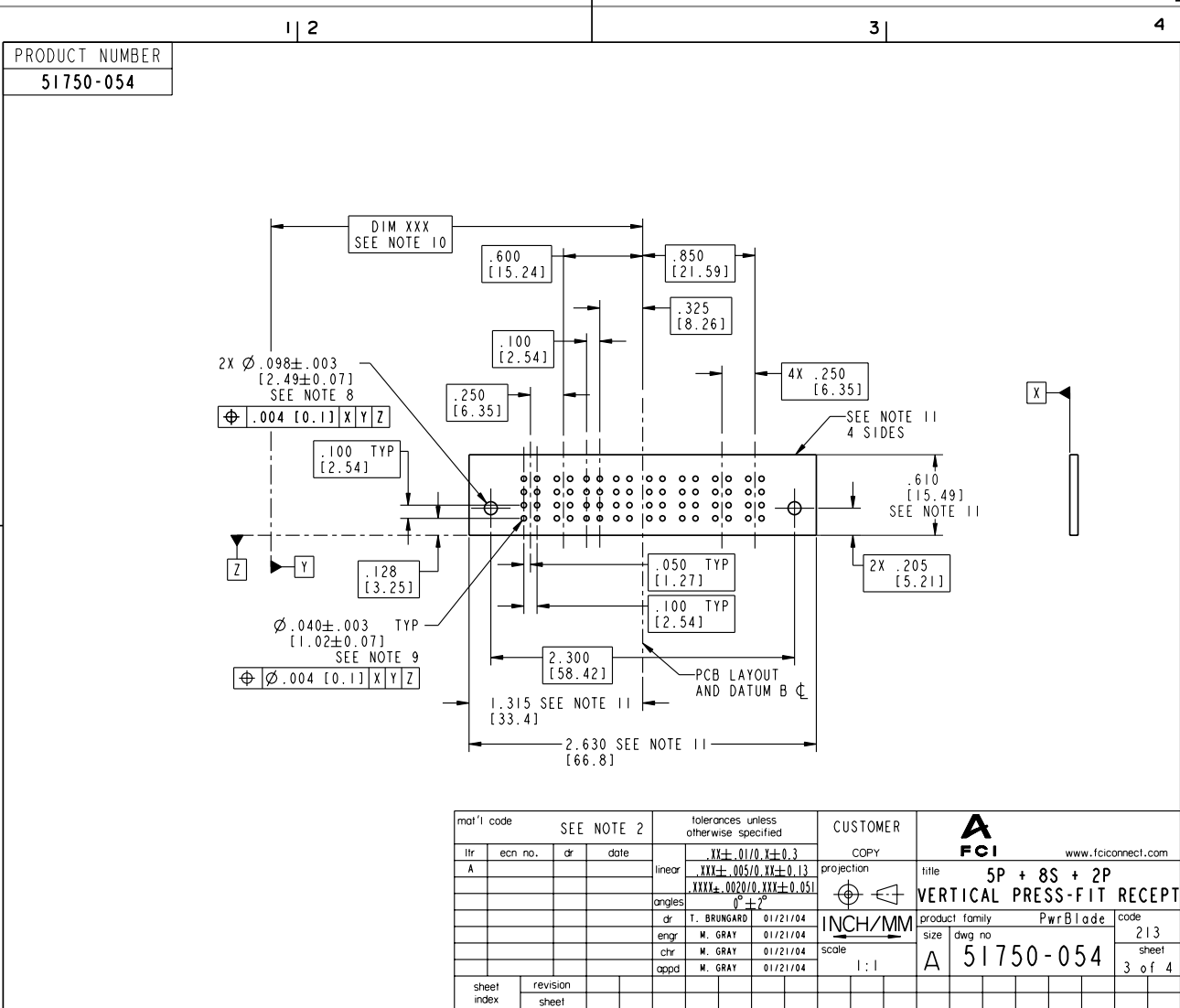
mat'l code		SEE NOTE 2		tolerances unless otherwise specified		CUSTOMER		FCI www.fciconnect.com	
lfr	ecn no.	dr	date	linear	XX±.01/0.X±0.3	projection	COPY	title	5P + 8S + 2P
A					.XXX±.005/0.XX±0.13			VERTICAL PRESS-FIT RECEPT	
				angles	.XXX±.002/0.XX±0.051		product family	PwrBlade	code 213
		dr	T. BRUNGARD	01/21/04	0° ± 2°	scale	size	dwg no	51750-054
		enr	M. GRAY	01/21/04		1:1	A	sheet	2 of 4
		chr	M. GRAY	01/21/04					
		appd	M. GRAY	01/21/04					
sheet index	revision sheet								

Pro/E cage code 22526

Tous droits strictement réservés. Reproduction ou communication, o des liens interdite sous quelque forme que ce soit sans autorisation écrite du propriétaire. Propriété de c FCI. Droits de reproduction FCI.

FCI

All rights strictly reserved. Reproduction or issue to third parties in any form whatever is not permitted without written authority from the proprietor. Property of FCI. Copyright FCI.



Pro/E 3 cage code 22526 4

Tous droits strictement réservés. Reproduction ou communication, o des liens interdite sous quelque forme que ce soit sans autorisation écrite du propriétaire. Propriété de c FCI. Droits de reproduction FCI.

FCI

All rights strictly reserved. Reproduction or issue to third parties in any form whatever is not permitted without written authority from the proprietor. Property of FCI. Copyright FCI.

	1 2	3	4																																																																																																						
<table border="1" style="width: 100%; border-collapse: collapse;"> <tr> <td style="width: 20%;">PRODUCT NUMBER</td> <td colspan="3">51750-054</td> </tr> <tr> <td>NOTES:</td> <td colspan="3"> <p>1. DIMENSIONS AND TOLERANCES ARE IN ACCORDANCE WITH ASME Y14.5M, 1994 UNLESS OTHERWISE SPECIFIED.</p> <p>CONNECTOR NOTES:</p> <p>② HOUSING MATERIAL: UL 94 V-0 GLASS FILLED HIGH-TEMP THERMOPLASTIC POWER CONTACT MATERIAL: COPPER ALLOY SIGNAL PIN MATERIAL: COPPER ALLOY</p> <p>3. PLATING: SIGNAL PINS: 30u"/0.76um Au OVER 50u"/1.27um Ni POWER CONTACTS: 50u"/1.27um Ni UNDER ALL WITH 30u"/0.76um Au ON CONTACT AREA AND SnPb ON PCB INTERFACE</p> <p>④ MANUFACTURER'S NAME, P/N, AND DATE CODE TO APPEAR ON THIS SURFACE.</p> <p>5. PRODUCT SPECIFICATION GS-12-149. APPLICATION SPECIFICATION BUS-20-067.</p> <p>6. PACKAGED IN TRAYS.</p> <p>PCB NOTES:</p> <p>7. ALL HOLE DIAMETERS ARE FINISHED HOLE SIZE.</p> <p>⑧ MOUNTING HOLES, WHERE APPLICABLE, ARE UNPLATED.</p> <p>⑨ $\varnothing .0453 \pm .0010$ [1.151 ± 0.025] DRILLED HOLES PLATED WITH .0003 [0.008] MIN SnPb OVER .001 [0.03] TO .003 [0.08] Cu PLATING TO ACHIEVE $\varnothing .040 \pm .003$ [1.02 ± .07] HOLE.</p> <p>⑩ "DIM XXX" TO BE DETERMINED BY THE CUSTOMER.</p> <p>⑪ CONNECTOR KEEP-OUT ZONE.</p> </td> </tr> <tr> <td colspan="4"> <table border="1" style="width: 100%; border-collapse: collapse;"> <tr> <td colspan="2">mat'l code</td> <td colspan="2">SEE NOTE 2</td> <td colspan="2">tolerances unless otherwise specified</td> <td colspan="2">CUSTOMER</td> <td colspan="2" style="text-align: center;">FCI www.fciconnect.com</td> </tr> <tr> <td>litr</td> <td>ecn no.</td> <td>dr</td> <td>date</td> <td>linear</td> <td>.XX±.01/0.X±0.3</td> <td>COPY</td> <td></td> <td colspan="2">title 5P + 8S + 2P</td> </tr> <tr> <td>A</td> <td></td> <td></td> <td></td> <td>linear</td> <td>.XXX±.005/0.XX±0.13</td> <td>projection</td> <td></td> <td colspan="2">VERTICAL PRESS-FIT RECEPT</td> </tr> <tr> <td></td> <td></td> <td></td> <td></td> <td>angles</td> <td>.XXX±.002/0.XX±0.051</td> <td></td> <td></td> <td>product family</td> <td>PwrBlade</td> </tr> <tr> <td></td> <td></td> <td></td> <td></td> <td>dr</td> <td>T. BRUNGARD 01/21/04</td> <td>INCH/MM</td> <td></td> <td>code</td> <td>213</td> </tr> <tr> <td></td> <td></td> <td></td> <td></td> <td>enrg</td> <td>M. GRAY 01/21/04</td> <td>scale</td> <td>1:1</td> <td>sheet</td> <td>4 of 4</td> </tr> <tr> <td></td> <td></td> <td></td> <td></td> <td>chr</td> <td>M. GRAY 01/21/04</td> <td></td> <td></td> <td>dwg no</td> <td>51750-054</td> </tr> <tr> <td></td> <td></td> <td></td> <td></td> <td>appd</td> <td>M. GRAY 01/21/04</td> <td></td> <td></td> <td>cage code</td> <td>22526</td> </tr> <tr> <td>sheet index</td> <td>revision sheet</td> <td></td> <td></td> <td></td> <td></td> <td></td> <td></td> <td></td> <td></td> </tr> </table> </td> </tr> </table>				PRODUCT NUMBER	51750-054			NOTES:	<p>1. DIMENSIONS AND TOLERANCES ARE IN ACCORDANCE WITH ASME Y14.5M, 1994 UNLESS OTHERWISE SPECIFIED.</p> <p>CONNECTOR NOTES:</p> <p>② HOUSING MATERIAL: UL 94 V-0 GLASS FILLED HIGH-TEMP THERMOPLASTIC POWER CONTACT MATERIAL: COPPER ALLOY SIGNAL PIN MATERIAL: COPPER ALLOY</p> <p>3. PLATING: SIGNAL PINS: 30u"/0.76um Au OVER 50u"/1.27um Ni POWER CONTACTS: 50u"/1.27um Ni UNDER ALL WITH 30u"/0.76um Au ON CONTACT AREA AND SnPb ON PCB INTERFACE</p> <p>④ MANUFACTURER'S NAME, P/N, AND DATE CODE TO APPEAR ON THIS SURFACE.</p> <p>5. PRODUCT SPECIFICATION GS-12-149. APPLICATION SPECIFICATION BUS-20-067.</p> <p>6. PACKAGED IN TRAYS.</p> <p>PCB NOTES:</p> <p>7. ALL HOLE DIAMETERS ARE FINISHED HOLE SIZE.</p> <p>⑧ MOUNTING HOLES, WHERE APPLICABLE, ARE UNPLATED.</p> <p>⑨ $\varnothing .0453 \pm .0010$ [1.151 ± 0.025] DRILLED HOLES PLATED WITH .0003 [0.008] MIN SnPb OVER .001 [0.03] TO .003 [0.08] Cu PLATING TO ACHIEVE $\varnothing .040 \pm .003$ [1.02 ± .07] HOLE.</p> <p>⑩ "DIM XXX" TO BE DETERMINED BY THE CUSTOMER.</p> <p>⑪ CONNECTOR KEEP-OUT ZONE.</p>			<table border="1" style="width: 100%; border-collapse: collapse;"> <tr> <td colspan="2">mat'l code</td> <td colspan="2">SEE NOTE 2</td> <td colspan="2">tolerances unless otherwise specified</td> <td colspan="2">CUSTOMER</td> <td colspan="2" style="text-align: center;">FCI www.fciconnect.com</td> </tr> <tr> <td>litr</td> <td>ecn no.</td> <td>dr</td> <td>date</td> <td>linear</td> <td>.XX±.01/0.X±0.3</td> <td>COPY</td> <td></td> <td colspan="2">title 5P + 8S + 2P</td> </tr> <tr> <td>A</td> <td></td> <td></td> <td></td> <td>linear</td> <td>.XXX±.005/0.XX±0.13</td> <td>projection</td> <td></td> <td colspan="2">VERTICAL PRESS-FIT RECEPT</td> </tr> <tr> <td></td> <td></td> <td></td> <td></td> <td>angles</td> <td>.XXX±.002/0.XX±0.051</td> <td></td> <td></td> <td>product family</td> <td>PwrBlade</td> </tr> <tr> <td></td> <td></td> <td></td> <td></td> <td>dr</td> <td>T. BRUNGARD 01/21/04</td> <td>INCH/MM</td> <td></td> <td>code</td> <td>213</td> </tr> <tr> <td></td> <td></td> <td></td> <td></td> <td>enrg</td> <td>M. GRAY 01/21/04</td> <td>scale</td> <td>1:1</td> <td>sheet</td> <td>4 of 4</td> </tr> <tr> <td></td> <td></td> <td></td> <td></td> <td>chr</td> <td>M. GRAY 01/21/04</td> <td></td> <td></td> <td>dwg no</td> <td>51750-054</td> </tr> <tr> <td></td> <td></td> <td></td> <td></td> <td>appd</td> <td>M. GRAY 01/21/04</td> <td></td> <td></td> <td>cage code</td> <td>22526</td> </tr> <tr> <td>sheet index</td> <td>revision sheet</td> <td></td> <td></td> <td></td> <td></td> <td></td> <td></td> <td></td> <td></td> </tr> </table>				mat'l code		SEE NOTE 2		tolerances unless otherwise specified		CUSTOMER		FCI www.fciconnect.com		litr	ecn no.	dr	date	linear	.XX±.01/0.X±0.3	COPY		title 5P + 8S + 2P		A				linear	.XXX±.005/0.XX±0.13	projection		VERTICAL PRESS-FIT RECEPT						angles	.XXX±.002/0.XX±0.051			product family	PwrBlade					dr	T. BRUNGARD 01/21/04	INCH/MM		code	213					enrg	M. GRAY 01/21/04	scale	1:1	sheet	4 of 4					chr	M. GRAY 01/21/04			dwg no	51750-054					appd	M. GRAY 01/21/04			cage code	22526	sheet index	revision sheet								
PRODUCT NUMBER	51750-054																																																																																																								
NOTES:	<p>1. DIMENSIONS AND TOLERANCES ARE IN ACCORDANCE WITH ASME Y14.5M, 1994 UNLESS OTHERWISE SPECIFIED.</p> <p>CONNECTOR NOTES:</p> <p>② HOUSING MATERIAL: UL 94 V-0 GLASS FILLED HIGH-TEMP THERMOPLASTIC POWER CONTACT MATERIAL: COPPER ALLOY SIGNAL PIN MATERIAL: COPPER ALLOY</p> <p>3. PLATING: SIGNAL PINS: 30u"/0.76um Au OVER 50u"/1.27um Ni POWER CONTACTS: 50u"/1.27um Ni UNDER ALL WITH 30u"/0.76um Au ON CONTACT AREA AND SnPb ON PCB INTERFACE</p> <p>④ MANUFACTURER'S NAME, P/N, AND DATE CODE TO APPEAR ON THIS SURFACE.</p> <p>5. PRODUCT SPECIFICATION GS-12-149. APPLICATION SPECIFICATION BUS-20-067.</p> <p>6. PACKAGED IN TRAYS.</p> <p>PCB NOTES:</p> <p>7. ALL HOLE DIAMETERS ARE FINISHED HOLE SIZE.</p> <p>⑧ MOUNTING HOLES, WHERE APPLICABLE, ARE UNPLATED.</p> <p>⑨ $\varnothing .0453 \pm .0010$ [1.151 ± 0.025] DRILLED HOLES PLATED WITH .0003 [0.008] MIN SnPb OVER .001 [0.03] TO .003 [0.08] Cu PLATING TO ACHIEVE $\varnothing .040 \pm .003$ [1.02 ± .07] HOLE.</p> <p>⑩ "DIM XXX" TO BE DETERMINED BY THE CUSTOMER.</p> <p>⑪ CONNECTOR KEEP-OUT ZONE.</p>																																																																																																								
<table border="1" style="width: 100%; border-collapse: collapse;"> <tr> <td colspan="2">mat'l code</td> <td colspan="2">SEE NOTE 2</td> <td colspan="2">tolerances unless otherwise specified</td> <td colspan="2">CUSTOMER</td> <td colspan="2" style="text-align: center;">FCI www.fciconnect.com</td> </tr> <tr> <td>litr</td> <td>ecn no.</td> <td>dr</td> <td>date</td> <td>linear</td> <td>.XX±.01/0.X±0.3</td> <td>COPY</td> <td></td> <td colspan="2">title 5P + 8S + 2P</td> </tr> <tr> <td>A</td> <td></td> <td></td> <td></td> <td>linear</td> <td>.XXX±.005/0.XX±0.13</td> <td>projection</td> <td></td> <td colspan="2">VERTICAL PRESS-FIT RECEPT</td> </tr> <tr> <td></td> <td></td> <td></td> <td></td> <td>angles</td> <td>.XXX±.002/0.XX±0.051</td> <td></td> <td></td> <td>product family</td> <td>PwrBlade</td> </tr> <tr> <td></td> <td></td> <td></td> <td></td> <td>dr</td> <td>T. BRUNGARD 01/21/04</td> <td>INCH/MM</td> <td></td> <td>code</td> <td>213</td> </tr> <tr> <td></td> <td></td> <td></td> <td></td> <td>enrg</td> <td>M. GRAY 01/21/04</td> <td>scale</td> <td>1:1</td> <td>sheet</td> <td>4 of 4</td> </tr> <tr> <td></td> <td></td> <td></td> <td></td> <td>chr</td> <td>M. GRAY 01/21/04</td> <td></td> <td></td> <td>dwg no</td> <td>51750-054</td> </tr> <tr> <td></td> <td></td> <td></td> <td></td> <td>appd</td> <td>M. GRAY 01/21/04</td> <td></td> <td></td> <td>cage code</td> <td>22526</td> </tr> <tr> <td>sheet index</td> <td>revision sheet</td> <td></td> <td></td> <td></td> <td></td> <td></td> <td></td> <td></td> <td></td> </tr> </table>				mat'l code		SEE NOTE 2		tolerances unless otherwise specified		CUSTOMER		FCI www.fciconnect.com		litr	ecn no.	dr	date	linear	.XX±.01/0.X±0.3	COPY		title 5P + 8S + 2P		A				linear	.XXX±.005/0.XX±0.13	projection		VERTICAL PRESS-FIT RECEPT						angles	.XXX±.002/0.XX±0.051			product family	PwrBlade					dr	T. BRUNGARD 01/21/04	INCH/MM		code	213					enrg	M. GRAY 01/21/04	scale	1:1	sheet	4 of 4					chr	M. GRAY 01/21/04			dwg no	51750-054					appd	M. GRAY 01/21/04			cage code	22526	sheet index	revision sheet																				
mat'l code		SEE NOTE 2		tolerances unless otherwise specified		CUSTOMER		FCI www.fciconnect.com																																																																																																	
litr	ecn no.	dr	date	linear	.XX±.01/0.X±0.3	COPY		title 5P + 8S + 2P																																																																																																	
A				linear	.XXX±.005/0.XX±0.13	projection		VERTICAL PRESS-FIT RECEPT																																																																																																	
				angles	.XXX±.002/0.XX±0.051			product family	PwrBlade																																																																																																
				dr	T. BRUNGARD 01/21/04	INCH/MM		code	213																																																																																																
				enrg	M. GRAY 01/21/04	scale	1:1	sheet	4 of 4																																																																																																
				chr	M. GRAY 01/21/04			dwg no	51750-054																																																																																																
				appd	M. GRAY 01/21/04			cage code	22526																																																																																																
sheet index	revision sheet																																																																																																								
	1 2	3	4																																																																																																						

Pro/E

PDM: Rev:A

STATUS: **Released**

Printed: Dec 20, 2010