

Excellent Integrated System Limited

Stocking Distributor

Click to view price, real time Inventory, Delivery & Lifecycle Information:

[FCI](#)
[51915-021](#)

For any questions, you can email us directly:
sales@integrated-circuit.com

Tous droits strictement réservés. Reproduction ou communication, en des lieux interdite sous quelque forme que ce soit sans autorisation écrite du propriétaire. Propriété de c FCI. Droits de reproduction FCI.

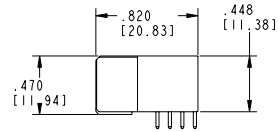
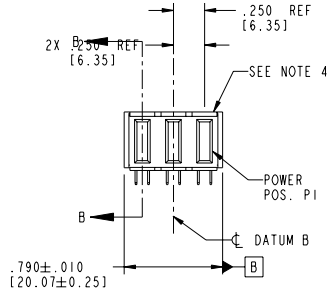
All rights strictly reserved. Reproduction or issue in third parties in any form whatever is not permitted without written authority from the proprietor. Property of FCI. Copyright FCI.

PRODUCT NO. 51915-021-- NOTE:3	POWER		
	P3	P2	P1
	PC	PC	PA

1 | 2

3 |

4



CODE	DIM "M" MATING LENGTH	CONTACT TYPE
PA	.042 [1.07]	POWER
PC	.092 [2.34]	POWER

mat'l code		SEE NOTE 2	tolerances unless otherwise specified		CUSTOMER	 www.fciconnect.com
ltr	ecm no.	dr	date	linear	projection	
A	V03-0212	MEM	2/24/03	linear	III±.01/0.IV±0.3	3P
B	V03-0875	TAB	08/08/03	linear	III±.005/0.IV±0.13	R/A SOLDER RECEPTACLE
C	DG05-0355	CS	09/27/05	angles	III±.0020/0.IV±0.051	product family
				dr	0°±7°	PwrBlade
				dr	M. MOSTOLLER 2/24/03	code
				enr	M. MOSTOLLER 2/24/03	213
				chr	H. BREWBAKER 2/24/03	size
				oppd	M. MOSTOLLER 2/24/03	A
sheet index	revision sheet	C	C	C	scale	dwg no
1	2	3	4		1:1	51915-021
						sheet of 4
						1 of 4

1 | 2

3 |

4

Pro/E

PDM: Rev:C

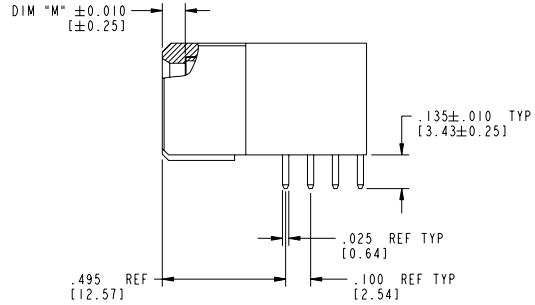
STATUS: **Released**

Printed: Dec 20, 2010

Tous droits strictement réservés. Reproduction ou communication à des fins interdites sous quelque forme que ce soit sans autorisation écrite du propriétaire. Propriété de FCI. Droits de reproduction FCI.

All rights strictly reserved. Reproduction or issue in any form whatever is not permitted without written authority from the proprietor. Property of FCI. Copyright FCI.

PRODUCT NUMBER
51915-021
NOTE: 3



BROKEN-OUT SECTION B-B
SCALE 2:1

mat'l code				SEE NOTE 2		tolerances unless otherwise specified		CUSTOMER		FCI	
ltr	ecm no.	dr	date	linear	XX±.01/0	YY±0.3	COPY		www.fciconnect.com		
C				projection	XXX±.005/0	YY±0.13	title		3P		
				angles	XXX±.0025/0	YY±0.051	R/A SOLDER RECEPTACLE				
				dr	0°±7°		product family		PwrBlade		
				engr	M. MOSTOLLER	2/24/03	size		213		
				chr	H. BREWBAKER	2/24/03	dwg no		51915-021		
				appd	M. MOSTOLLER	2/24/03	scale		2 of 4		
sheet index	revision sheet						code code		22526		

Pro/E

PDM: Rev:C

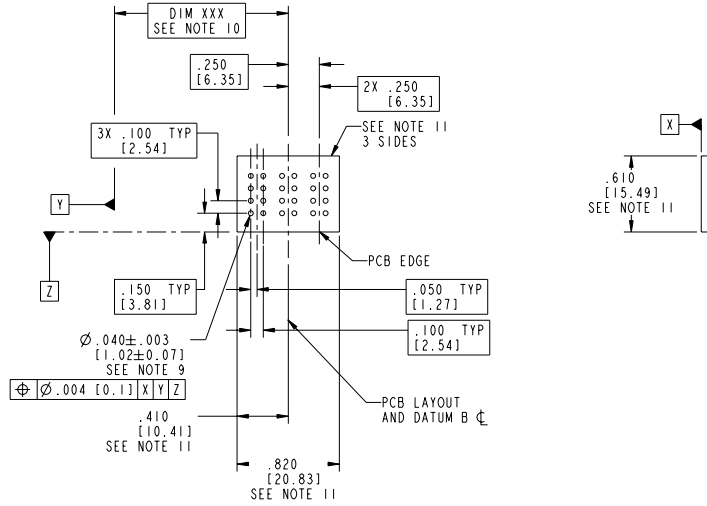
STATUS: Released

Printed: Dec 20, 2010

Tous droits strictement réservés. Reproduction ou communication à des fins inférieures sans aucune forme ou en son sans autorisation écrite du propriétaire. Propriété de c FCI. Droits de reproduction FCI.

All rights strictly reserved. Reproduction or issue to third parties in any form whatever is not permitted without written authority from the proprietor. Property of FCI. Copyright FCI.

PRODUCT NUMBER
51915-021...
NOTE: 3



mat'l code		SEE NOTE 2	tolerances unless otherwise specified	CUSTOMER	FCI		www.fciconnect.com
ltr	ecn no.	dr	date	linear	projection	title	
				$.XX \pm .01/0$	$.XX \pm 0.3$	R/A SOLDER RECEPTACLE	
				$.XXX \pm .005/0$	$.XX \pm 0.13$		
				$.XXX \pm .0020/0$	$.XX \pm 0.051$		
				angles	$0^\circ \pm 7^\circ$	product family	PwrBlade
				dr	M. MOSTOLLER 2/24/03	size	213
				engr	M. MOSTOLLER 2/24/03	dwg no	51915-021
				chr	H. BREWBAKER 2/24/03	scale	1:1
				appd	M. MOSTOLLER 2/24/03	sheet	3 of 4
sheet index	revision sheet					code code	22526

Tous droits strictement réservés. Reproduction ou communication, en des lieux interdite sans aucune forme, que ce soit sans autorisation écrite du propriétaire. Propriété de FCI. Droits de reproduction FCI.

All rights strictly reserved. Reproduction or issue in third parties in any form whatever is not permitted without written authority from the proprietor. Property of FCI. Copyright FCI.

PRODUCT NUMBER
51915-021
NOTE: 3

NOTES:

1. DIMENSIONS AND TOLERANCES ARE IN ACCORDANCE WITH ASME Y14.5M, 1994 UNLESS OTHERWISE SPECIFIED.

CONNECTOR NOTES:

2. HOUSING MATERIAL: UL 94 V-0 GLASS FILLED

HIGH-TEMP THERMOPLASTIC
POWER CONTACT MATERIAL: COPPER ALLOY
SIGNAL PIN MATERIAL: COPPER ALLOY

3. PLATING:

51915-021 Singal Pin: 30u"/0.76um Au OVER 50u"/1.27um Ni ON THE CONTACT AREA,
AND 100u"/2.54um SnPb PLATING OVER 50u"/1.27um Ni ON THE TERMINATION SECTION.
Power Pin: 30u"/0.76um Au OVER 50u"/1.27um Ni ON THE CONTACT AREA,
AND 100u"/2.54um SnPb PLATING OVER 50u"/1.27um Ni ON THE TERMINATION SECTION.

51915-021LF Singal Pin: 30u"/0.76um Au OVER 50u"/1.27um Ni ON THE CONTACT AREA,
AND 78u"/2.00um Sn PLATING OVER 50u"/1.27um Ni ON THE TERMINATION SECTION.
Power Pin: 30u"/0.76um Au OVER 50u"/1.27um Ni ON THE CONTACT AREA,
AND 78u"/2.00um Sn PLATING OVER 50u"/1.27um Ni ON THE TERMINATION SECTION.

PART NUMBER 51915-021LF MEETS EUROPEAN UNION DIRECTIVE AND OTHER COUNTRY REGULATIONS AS DESCRIBED IN GS-22-008.

THE HOUSING WILL WITHSTAND EXPOSURE TO 260° PEAK TEMPERATURE FOR 10 SECONDS IN A WAVE SOLDER APPLICATION WITH A CIRCUIT BOARD.

4. MANUFACTURER'S NAME, P/N, AND DATE CODE TO APPEAR ON THIS SURFACE.

5. PRODUCT SPECIFICATION GS-12-149.
APPLICATION SPECIFICATION BUS-20-067.

6. PACKAGED IN TRAYS.

PCB NOTES:

7. ALL HOLE DIAMETERS ARE FINISHED HOLE SIZE.

8. MOUNTING HOLES, WHERE APPLICABLE, ARE UNPLATED.

9. $\phi .0453 \pm .0010$ [1.151 ± 0.025] DRILLED HOLES PLATED WITH
.0003 [0.008] MIN SnPb OVER .001 [0.03]
TO .003 [0.08] Cu PLATING TO ACHIEVE
 $\phi .040 \pm .003$ [1.02 ± .07] HOLE.

10. "DIM XXX" TO BE DETERMINED BY THE CUSTOMER.

11. CONNECTOR KEEP-OUT ZONE.

mat'l code		SEE NOTE 2		tolerances unless otherwise specified		CUSTOMER		FCI	
ltr	ecm no.	dr	date	linear	angular	projection	title	product family	code
C				$.XX \pm .01/0$	$.XX \pm 0.3$		3P	PwrBlade	213
				$.XXX \pm .005/0$	$.XX \pm 0.13$		R/A SOLDER RECEPTACLE		4 of 4
				$.XXX \pm .0020/0$	$.XX \pm 0.051$				
				angles	$0^\circ \pm 7^\circ$				
				dr	M. MOSTOLLER 2/24/03	INCH/MM	size	dwg no	sheet
				engr	M. MOSTOLLER 2/24/03	1:1	A	51915-021	4 of 4
				chr	H. BREWBAKER 2/24/03				
				oppd	M. MOSTOLLER 2/24/03				
sheet index	revision sheet								

Pro/E

PDM: Rev:C

STATUS: Released

Printed: Dec 20, 2010