



Distributor of FCI: Excellent Integrated System Limited

Datasheet of 60058-001 - Connector Receptacle 10 Position 0.100" (2.54mm) Gold Through Hole, Right Angle

Contact us: sales@integrated-circuit.com Website: www.integrated-circuit.com

Excellent Integrated System Limited

Stocking Distributor

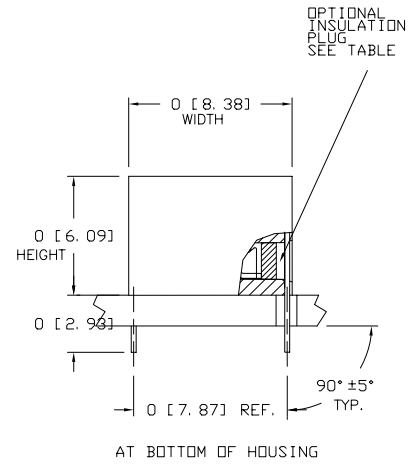
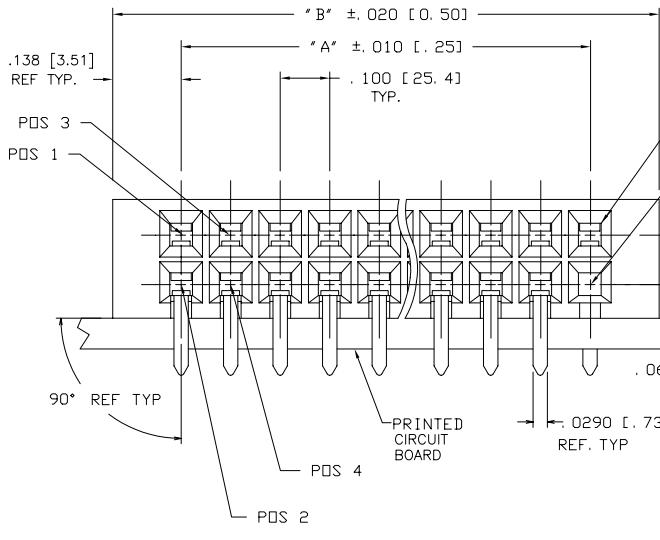
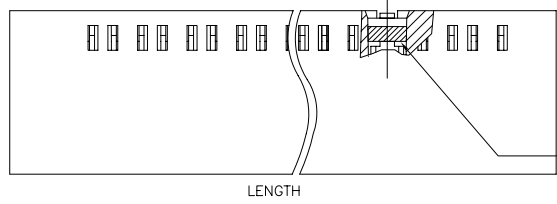
Click to view price, real time Inventory, Delivery & Lifecycle Information:

[FCI](#)
[60058-001](#)

For any questions, you can email us directly:

sales@integrated-circuit.com

PRODUCT NO.
SEE TABLE



mat'l. code		surface	tolerance	projection	product family
		ISO 1302	ISO 406		PV CARD CONN
			ISO 1101		
ltr	ecn no	dr	date	tolerances unless otherwise specified	title
A	V00239	DAI	1/13/00	angles	QKE MATE
B	V02523	AZ	10/20/00	linear	CARD CONNECTOR POL
C	V21780	CGD	11/15/02	°±z	scale 1:1
D	M05-0181	ERE	09/05/05	dr	D. INGRAM
E	M06-0117	M.N.	05/31/06	enr	H. SUNDY
				chr	H. SUNDY
				appd	H. SUNDY
sheet	revision	E	E	E	
index	sheet	1	2	3	

PRODUCT NO.
SEE TABLE

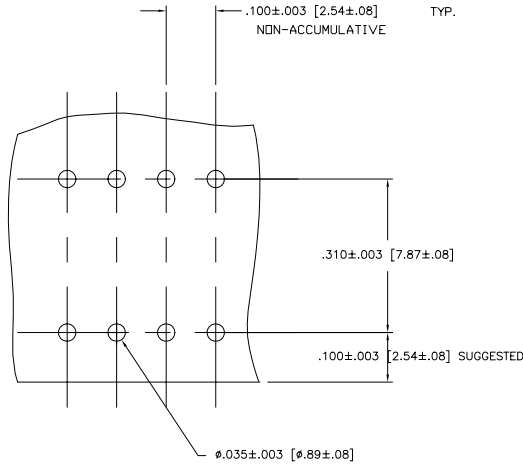


FIGURE 1
SCALE 1:1

NOTES:

1. HOUSING MATERIAL:
FILLED HIGH TEMPERATURE NYLON
COLOR: BLACK
2. TERMINAL MATERIAL:
BODY: BRASS
.010/0.25 THICK
SPRING: BE-CU
HEAT TREATED
BODY PLATING:
30 MICRON/0.76 MICRON GOLD
OVER 50 MICRON/1.27 MICRON NICKEL
IN CONTACT AREA
SPRING PLATING: GOLD FLASH
3. APPLICATION INFORMATION:
A. RECOMMENDED MOUNTING HOLE
PATTERN IS SHOWN IN FIGURE "1"
B. ALL MATING PINS TO BE
.025/ 0.64 SQUARE ON TRUE
CENTER OF GIVEN TERMINAL
SPACINGS WITHIN .015/0.38 DIA.
C. SUGGESTED MATING PIN LENGTH
1.350±.020/8.89±0.51
- ④ ADD "Lf" SUFFIX AT THE END OF PART NUMBER
FOR LEAD FREE OPTION.
- ⑤ THESE PRODUCTS MEET EUROPEAN UNION DIRECTIVES
AND OTHER COUNTRY REGULATIONS AS DESCRIBED IN
GS-22-008.
6. THIS PART WILL WITHSTAND EXPOSURE TO 260°C PEAK
TEMPERATURE FOR 20 SECONDS IN A WAVE SOLDER,
INFRA-RED OR VAPOR PHASE SOLDER PROCESS.

mat'l. code		surface ISO 1302	tolerance ISO 406 ISO 1101	projection	product family PV CARD CONN
ltr	ecr	no	dr	date	title
E					QKE MATE CARD CONNECTOR POL
		angles	linear	INCH/MM	scale 1:1
		dr	D. INGRAM	1/13/00	FCJ
		enrg	H. SUNDY	1/13/00	dwg no 60058
		chr	H. SUNDY	1/13/00	sheet 2 of 3 size A3
		appd	H. SUNDY	1/13/00	type Product Customer Drawing
sheet index	revision sheet				

PRODUCT NO.	N. OF POS.	±.010 DIM. A 0.25	±.020 DIM. B 0.51	INSULATION PLUG	OMIT PIN #	LEAD FREE OPTION
60058-001	2X5	.400/10.16	.675/17.15	NO	10	NOTE 5



Copyright FCI

mat'l. code		surface ISO 1302 <input checked="" type="checkbox"/>	tolerance ISO 406 ISO 1101	projection 	product family PV CARD CONN
ltr	ecn no	dr	date	tolerances unless otherwise specified	title
E				angles linear .XX ±.01/.3 .XXX ±.005/.13 σ±Z .XXXX ±.0020/.051	QKE MATE CARD CONNECTOR POL
				scale 1:1	dwg no 60058 sheet 3 of 3 size A3
		dr	D. INGRAM	1/13/00	type Product Customer Drawing
		enrg	H. SUNDY	1/13/00	
		chr	H. SUNDY	1/13/00	
		appd	H. SUNDY	1/13/00	
sheet index	revision sheet				