

Excellent Integrated System Limited

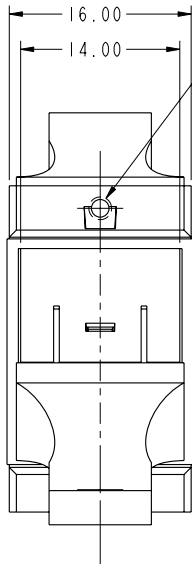
Stocking Distributor

Click to view price, real time Inventory, Delivery & Lifecycle Information:

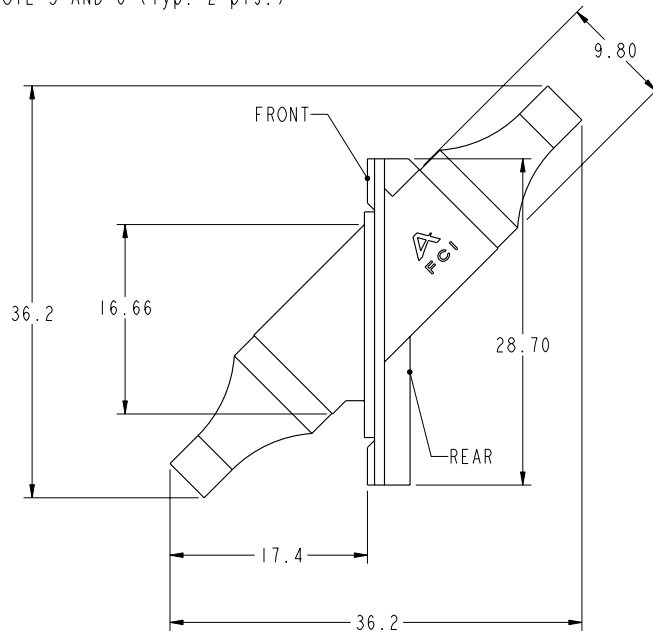
[FCI](#)
[10009255-002](#)

For any questions, you can email us directly:
sales@integrated-circuit.com

PRODUCT NUMBER	STYLE
10009255-001	NO SHUTTER



10009255-001

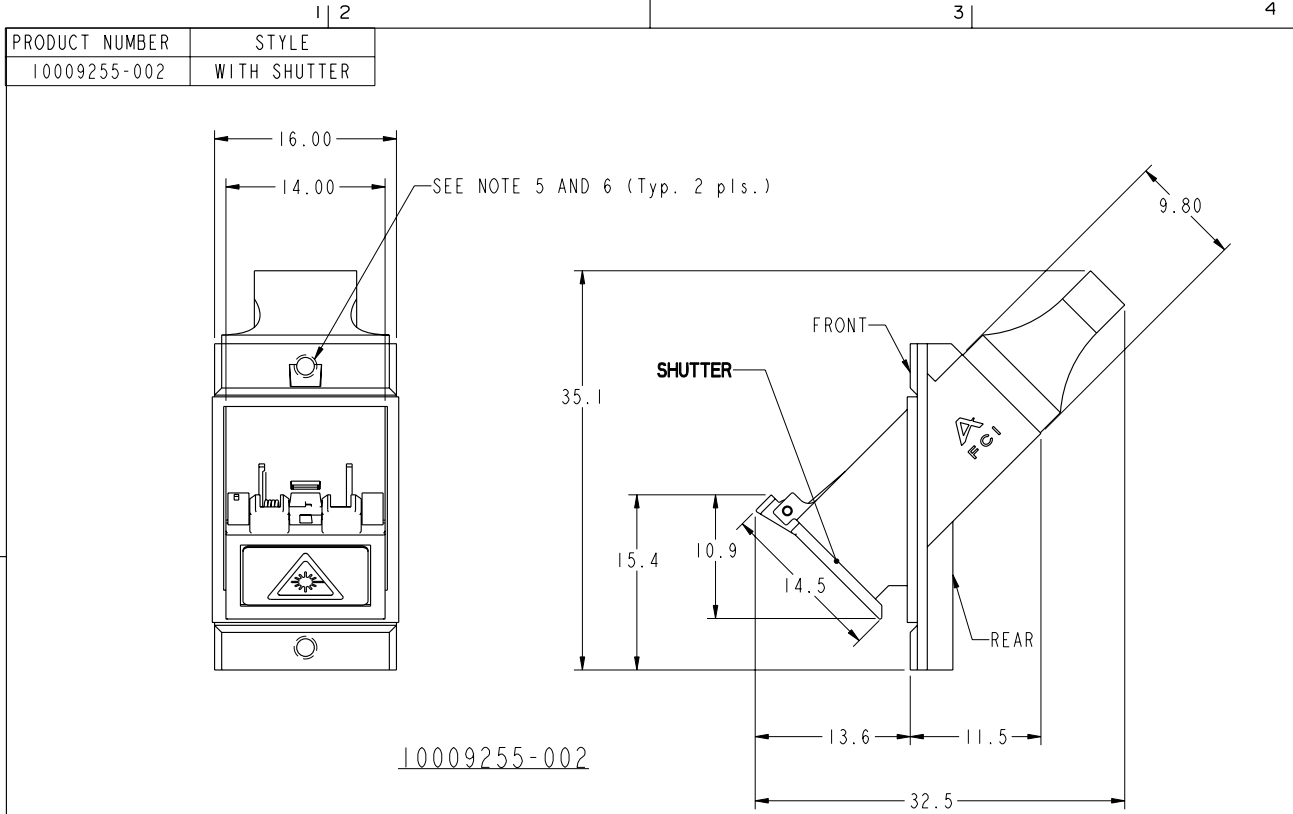


mat'l code		SEE NOTE 4		tolerances unless otherwise specified		CUSTOMER		FCI		www.fciconnect.com	
lir	ecn no.	dr	date	linear	0.X ±0.3	projection	COPY	title	45° MPO DIE CAST ADAPTER ASSEMBLY		
A	V21443	BKB	9/06/02		0.XX ±0.10	MM		product family	FIBER OPTICS		
B	V03-0262	HN	05/20/03	angles	0.XXX ±0.050	scale	2:1	size	dwg no	10009255	
C	V05-0701	DAI	07/26/05		0° ±2°			code	213		
D	V06-0182	DAI	2006-05-12	dr	B. BAHN 6/13/02			sheet	1 of 5		
				eng	B. TROSTLE 6/13/02						
				chr	B. TROSTLE 6/13/02						
				appd	D. BUSH 6/13/02						
sheet index	revision sheet	D	D	D	D	D					
		1	2	3	4	5					

This document is the property of and embodies CONFIDENTIAL and PROPRIETARY information of FCI. No part of the information shown on this document may be used in any way or disclosed without the written consent of FCI. Copyright FCI.

Pro/E

cage code 22526

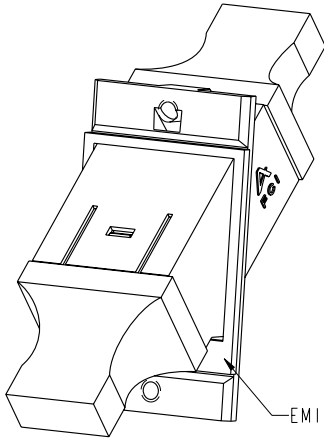


mat'l code		SEE NOTE 4		tolerances unless otherwise specified		CUSTOMER		FCI		www.fciconnect.com	
lir	ecm no.	dr	date	linear	0.X ±0.3	projection	COPY	title 45° MPO DIE CAST ADAPTER ASSEMBLY			
D					0.XX ±0.10			product family FIBER OPTICS		code 213	
				angles	0.XXX ±0.050		MM	size	dwg no 10009255		sheet 2
				dr	B. BAHN 6/13/02	scale	2:1	A			
				eng	B. TROSTLE 6/13/02						
				chr	B. TROSTLE 6/13/02						
				appd	D. BUSH 6/13/02						
sheet index	revision sheet										

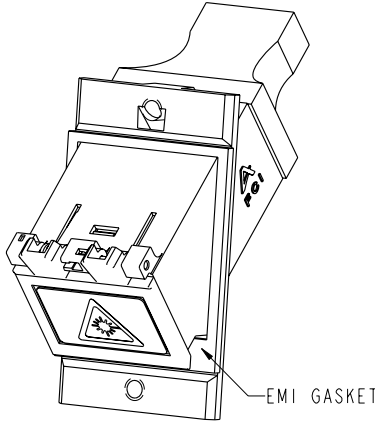
This document is the property of and embodies CONFIDENTIAL and PROPRIETARY information of FCI. No part of the information shown on this document may be used in any way or disclosed without the written consent of FCI. Copyright FCI.

REV E - 2006-04-18

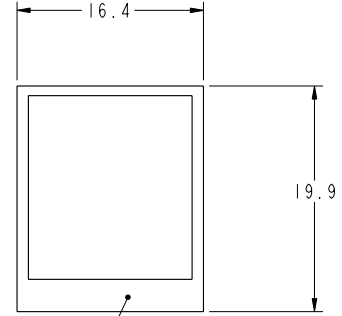
PRODUCT NUMBER	STYLE
10009255-001	NO SHUTTER
10009255-002	WITH SHUTTER



10009255-001



10009255-002

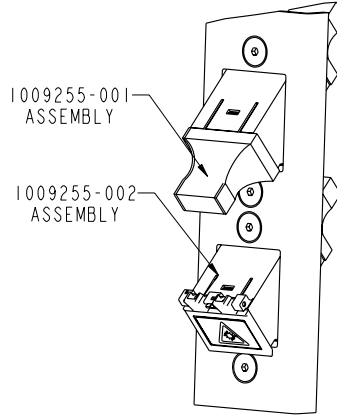
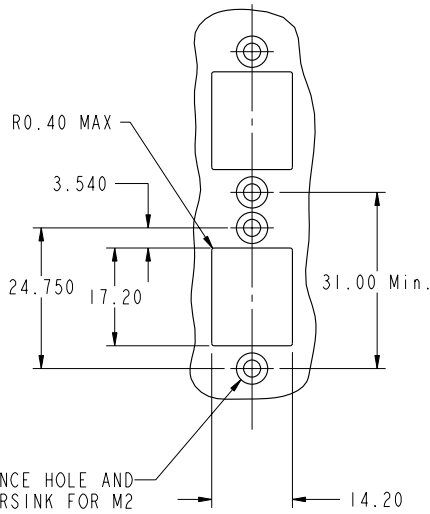


Install with this End to the Bottom Side of Adapter)
EMI GASKET

mat'l code		SEE NOTE 4		tolerances unless otherwise specified		CUSTOMER		FCI		www.fciconnect.com	
lir	ecm no.	dr	date	linear	0.X ±0.3	projection	COPY	title	45° MPO DIE CAST ADAPTER ASSEMBLY		
D					0.XX ±0.10			product family		FIBER OPTICS	
				angles	0.XXX ±0.050			size		dwg no	
					0° ±2°	MM		10009255		213	
				dr	B. BAHN 6/13/02	scale		A		sheet	
				eng	B. TROSTLE 6/13/02	2:1				3	
				chr	B. TROSTLE 6/13/02						
				appd	D. BUSH 6/13/02						
sheet index	revision sheet										

This document is the property of and embodies CONFIDENTIAL and PROPRIETARY information of FCI. No part of the information shown on this document may be used in any way or disclosed without the written consent of FCI. Copyright FCI.

PRODUCT NUMBER	STYLE
10009255-001	NO SHUTTER
10009255-002	WITH SHUTTER



PANEL CUTOUT REFERENCE

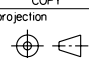
mat'l code		SEE NOTE 4		tolerances unless otherwise specified		CUSTOMER		FCI		www.fciconnect.com	
lfr	ecn no.	dr	date	linear	0.X ±0.3	projection	COPY	title	45° MPO DIE CAST ADAPTER ASSEMBLY		
D					0.XX ±0.10						
				angles	0.XXX ±0.050						
					0° ±2°				product family	FIBER OPTICS	code
				dr	B. BAHN 6/13/02				size	dwg no	213
				eng	B. TROSTLE 6/13/02					10009255	sheet
				chr	B. TROSTLE 6/13/02	scale	2:1				4
				appd	D. BUSH 6/13/02						
sheet index	revision sheet										

This document is the property of and embodies CONFIDENTIAL and PROPRIETARY information of FCI. No part of the information shown on this document may be used in any way or reproduced without the written consent of FCI. Copyright FCI.

PRODUCT NUMBER	STYLE
10009255-001	NO SHUTTER
10009255-002	WITH SHUTTER

NOTES:

1. SEE SHEET 3 FOR EMI GASKET, SEE SHEET 4 FOR PANEL CUTOUT.
2. PARTS SHOWN ASSEMBLED FOR REFERENCE ONLY.
3. THICKNESS OF CUSTOMER SUPPLIED PANEL TO BE 1.2mm ±0.10.
4. MATERIAL AND PLATING:
 ADAPTER - ZINC DIE CAST
 PLATING - BRIGHT NICKEL
 GASKET - CONDUCTIVE ELASTOMER, UL94 V-0
 SHUTTER - POLYCARBONATE, UL94 V-0
5. REQUIRED MOUNTING HARDWARE:
 M2 X 4mm FLATHEAD CAP SCREW (QTY 2)
6. RECOMMENDED SCREW TORQUE SETTING:
 24ozf-in (NOT TO EXCEED 32ozf-in)
7. LF INDICATES PART NUMBER IS LEAD FREE. LEAD FREE PART NUMBERS MEET EUROPEAN UNION DIRECTIVES AND OTHER COUNTRY REGULATIONS AS DESCRIBED IN GS-22-008.
8. PACKAGE ACCORDING TO GS-14-920 FOR LEAD FREE LABELING SPECIFICATIONS REQUIREMENTS.
9. THIS PRODUCT IS NOT INTENDED TO BE EXPOSED TO MANUFACTURING SOLDER PROCESSES.

mat'l code		SEE NOTE 4		tolerances unless otherwise specified		CUSTOMER		FCI		www.fciconnect.com	
lir	ecn no.	dr	date	linear	0.X ±0.3	projection	COPY	title 45° MPO DIE CAST ADAPTER ASSEMBLY			
D					0.XX ±0.10			product family FIBER OPTICS		code 213	
				angles	0.XXX ±0.050		MM	size	dwg no 10009255		sheet 5
				dr	B. BAHN 6/13/02	scale	2:1	A			
				eng	B. TROSTLE 6/13/02						
				chr	B. TROSTLE 6/13/02						
				appd	D. BUSH 6/13/02						
sheet index	revision sheet										

This document is the property of and embodies CONFIDENTIAL and PROPRIETARY information of FCI. No part of the information shown on this document may be used in any way or disclosed without the written consent of FCI. Copyright FCI.