

Excellent Integrated System Limited

Stocking Distributor

Click to view price, real time Inventory, Delivery & Lifecycle Information:

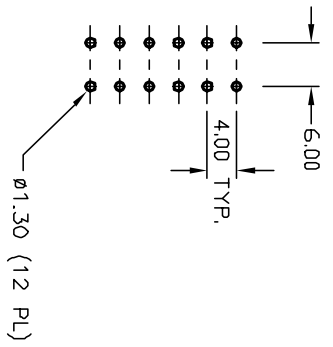
[E-Switch](#)

[1XTA000302/4UEEAAGPN](#)

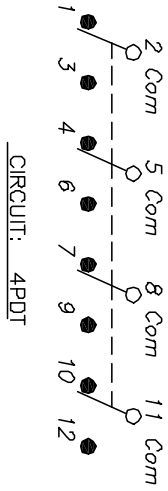
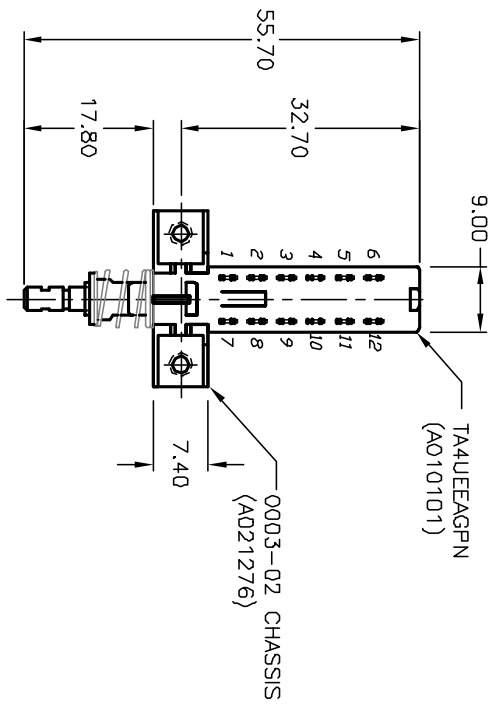
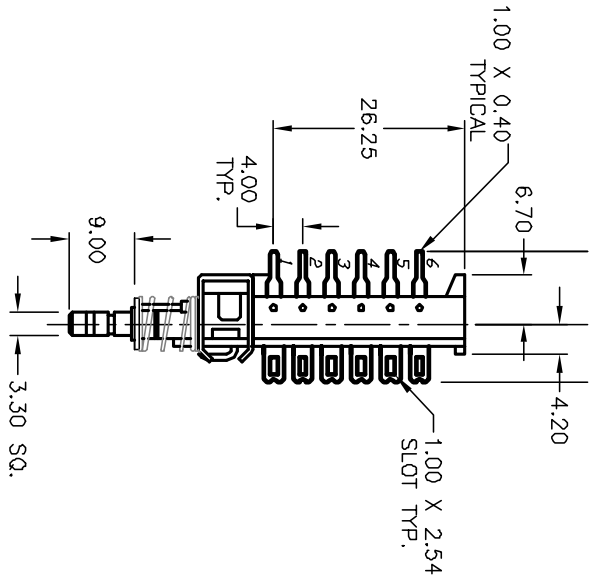
For any questions, you can email us directly:

sales@integrated-circuit.com

SHEET OF

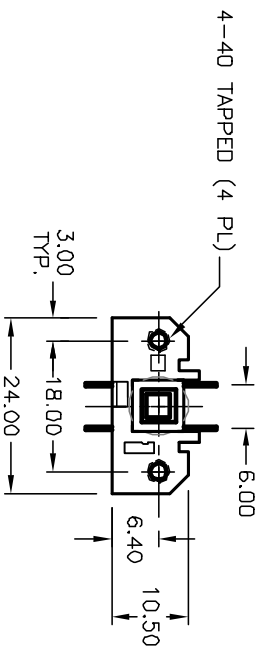


RECOMMENDED P.C.B. LAYOUT



NOTES:

1. ALL DIMENSIONS IN MM
2. GENERAL TOLERANCE: X.X=±0.4
X.XX=±0.25
3. TERM. NOS. FOR REF. ONLY
4. RATING: 0.5A @100VAC, 0.2A @250VAC, 1A @25VDC
5. OPERATING FORCE: <700 GRAMS
6. CONTACT RESISTANCE: 30 MILL-OHM TYPICAL
7. DIELECTRIC STRENGTH: 1,500 V RMS min.
8. ELECTRICAL LIFE: 100,000 TYP. CYCLES
9. OPERATING TEMP.: -20°C to 70°C



| | | | | |
|--|---------|-------------------------|---------|------|
| REV. | ECN No. | DESCRIPTION | DATE | CHKD |
| A | 11865 | RELEASED FOR PRODUCTION | 2/24/03 | CJB |
| THE INFORMATION CONTAINED IN THIS DOCUMENT IS PROPRIETARY TO E-SWITCH AND IS NOT TO BE COPIED OR TRANSMITTED | | | | |

| | | | | | |
|--|-------|------|----|---------|-----|
| TITLE | SCALE | DATE | DR | DWG | REV |
| 1XTA 0003-02 (/) 4U EE A AG PN TAPPED 4-40 T&E / F& B | 1:1 | -- | -- | XA0878B | A |

