

Excellent Integrated System Limited

Stocking Distributor

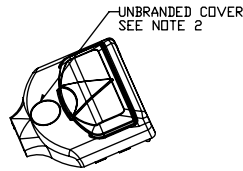
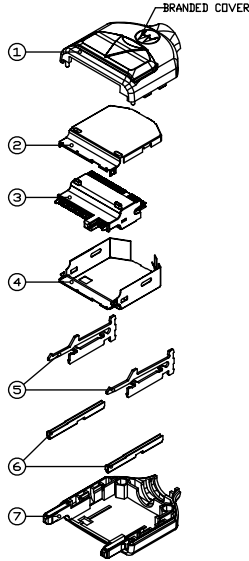
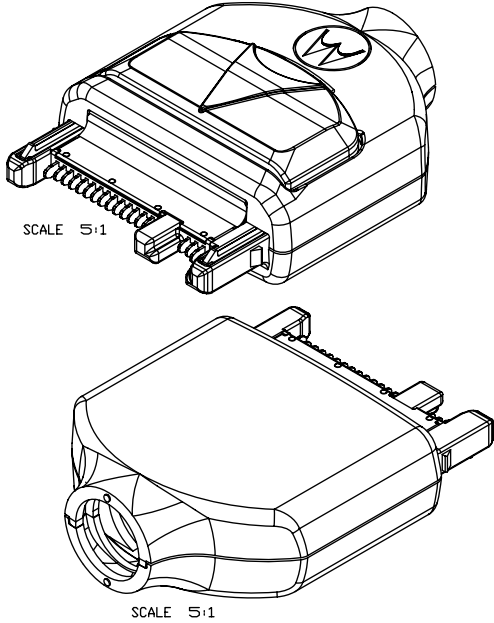
Click to view price, real time Inventory, Delivery & Lifecycle Information:

[FCI](#)
[63636-005LF](#)

For any questions, you can email us directly:
sales@integrated-circuit.com

Product-number	COLOR	BRAND
63636-003	BLACK	ND
63636-005LF	BLACK	YES
63636-006	BLACK	ND
63636-006LF	BLACK	ND
63636-007LF	WHITE	YES

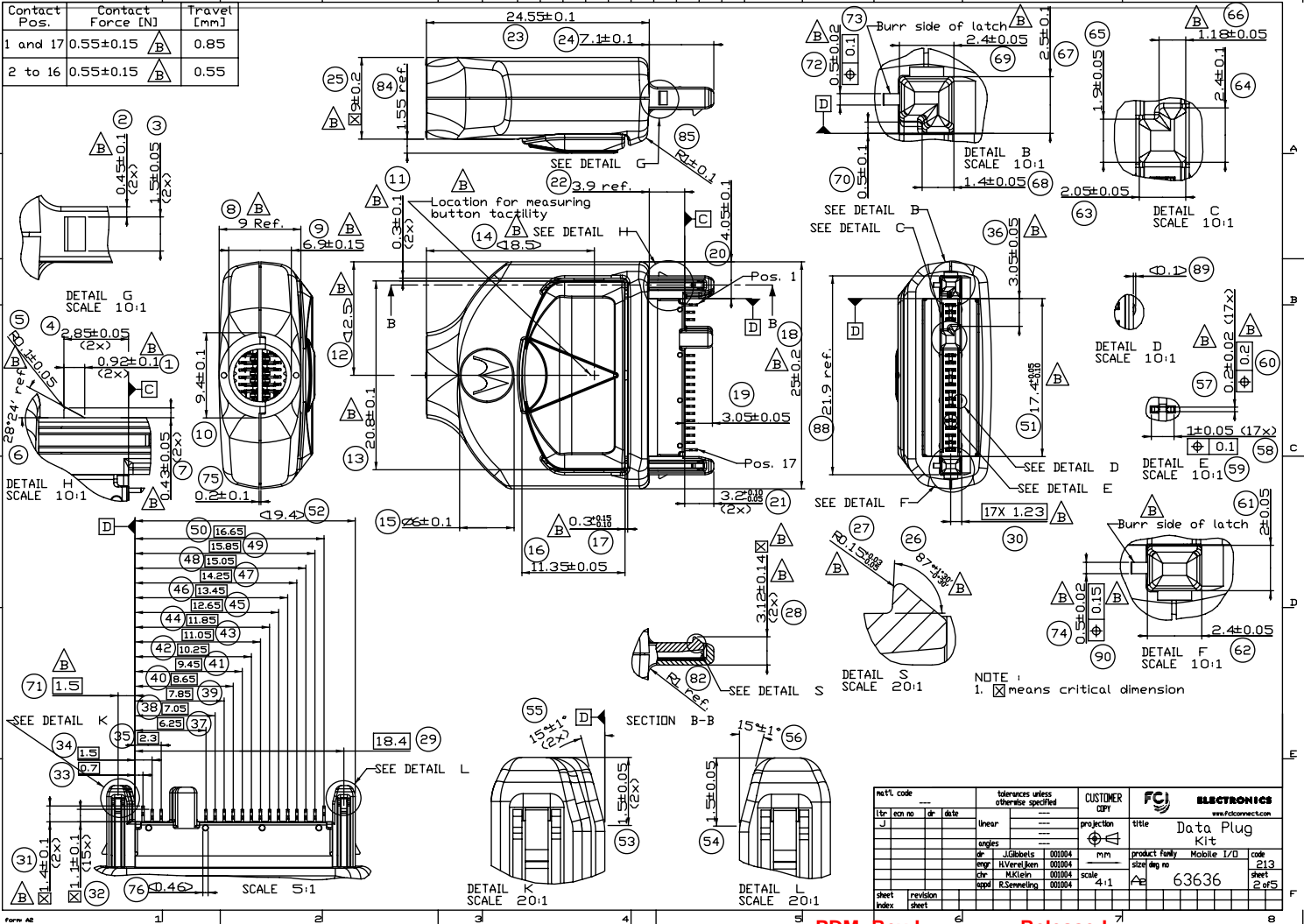
ITEM	DESCRIPTION	PART NUMBER	BRANDED			UNBRANDED		
			63636-001	63636-005LF	63636-007LF	63636-003	63636-006	63636-006LF
1	Top cover	63639-001	1	1	1	-	-	-
		63639-002	-	-	-	-	-	-
		63639-003	-	-	-	1	1	1
		63639-004	-	-	-	-	-	-
		63639-005	-	-	-	1	-	-
2	Top shield	63640-001	1	1	1	1	1	1
3	17 pos. Terminal block assy	63643-003LF	-	-	-	-	-	1
	17 pos. Terminal block assy(new material)	63643-002	1	-	-	1	-	-
		63643-003	-	-	1	-	-	1
		63643-007LF	-	-	-	1	-	-
		63643-008LF	-	1	-	-	-	-
4	Bottom shield	63641-001	1	1	1	1	1	1
5	Latch	63633-001	2	2	2	2	2	2
6	Peg blade	63634-001	2	2	2	2	2	2
7	Bottom cover	63638-001	1	1	1	1	1	1
		63638-005	-	-	-	1	-	-
			Obsolete	Active	Obsolete	Active	Active	Active



- Notes:
- Button press-in force to release 10N max.
 - A circle mark can be present on the unbranded cover (insert mark).
 - 63636-005LF/006LF/007LF meets European union directives and other country regulations as described in GS-22-008
 - Lead free label on the carton of 63636-005LF/006LF/007LF per GS-14-920
 - Melting temperature of HSG is 225°C
 - Packing specification per GS-14-694
 - Plating: 1.2 um min semi-bright Nickel all over followed by:
 - Zone A: 0.8 um min GXT
 - Zone B: 0.75 um min Gold
 - Zone C: 2.5~ 10 um Tin-lead (93-7) for 63636-003/006 or 2.5~10 um pure Sn for 63636-005LF/006LF/007LF
 - Zone D: Transition Tin-lead or pure Sn allowed
 - Base metal: Beryllium copper or stal94

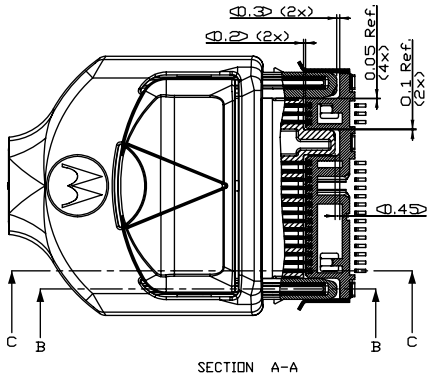
netf code	tolerance unless otherwise specified	CUSTOMER OPT	FCI ELECTRONICS
ltr len no dr date			www.fciconnect.com
E L S3037/SCL 041003	linear	projection	title Data Plug Kit
F 103-4274 LS 072203			size
G 104-2217 LS 051904	angles		product Family Mobile I/O code 213
H 0204-006 PM 122304 dr J Gibbels 001004		mm	size ang no 63636 sheet 1 of 5
J 0205-0369 PM 092905 pmr H Verbeijen 001004		scale 2:1	
K 0206-0428 CL 110605 the H Kroon 001004			
L 0207-0278 CL 070307 apud R-Semmeling 001004			
sheet revision L J J J J J			
index sheet 1 2 3 4 5			

Contact Pos.	Contact Force [N]	Travel [mm]
1 and 17	0.55±0.15	0.85
2 to 16	0.55±0.15	0.55

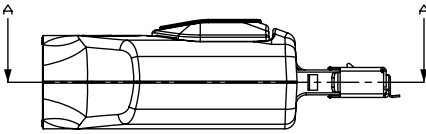


part code	tolerance unless otherwise specified	CUSTOMER OPT	FCI ELECTRONICS
ltr	ecm no	dr	date
linear	angles	projection	title
dr	J.Gibbels	001004	mm
eng	H.Verschuiven	001004	product Family
chr	H.Klein	001004	size
appal	R.Schneijder	001004	scale
sheet index	revision	sheet	title
			product Family
			Mobile I/O code
			213
			63636
			2 of 5

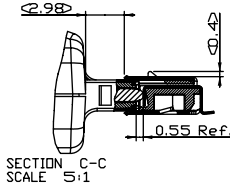
PLUG MATED WITH RECEPTACLE



SECTION A-A

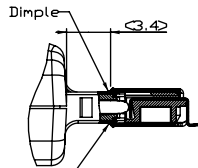
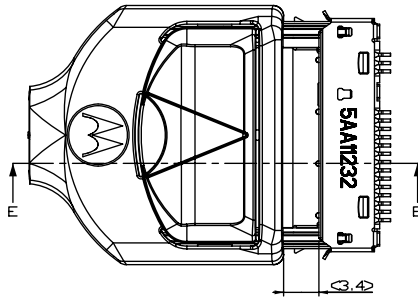


SECTION B-B
SCALE 5:1



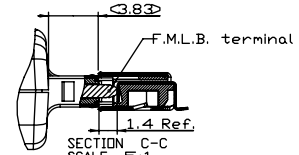
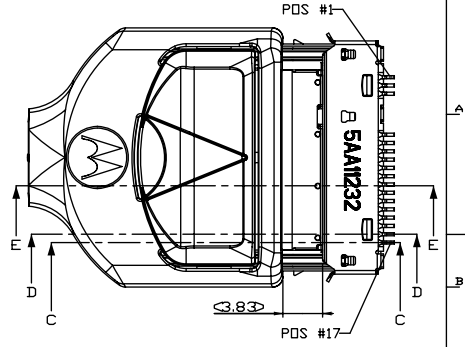
SECTION C-C
SCALE 5:1

DIMPLE MAKES CONTACT WITH METAL SHIELD

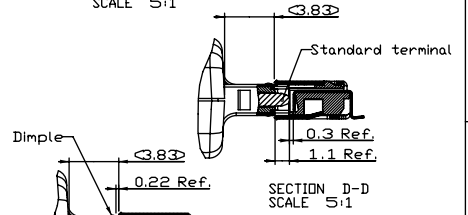


SECTION E-E
SCALE 5:1

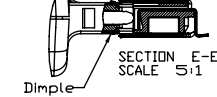
PINS 1 AND 17 MATE FIRST



SECTION C-C
SCALE 5:1

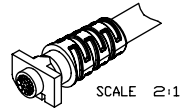
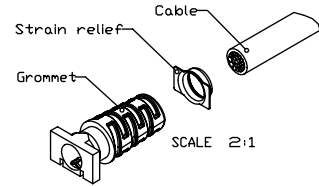
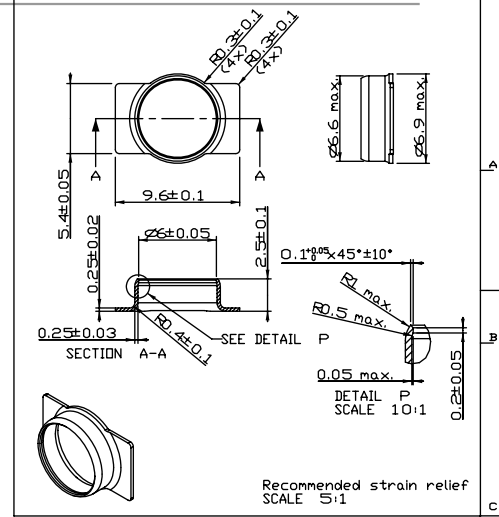
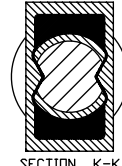
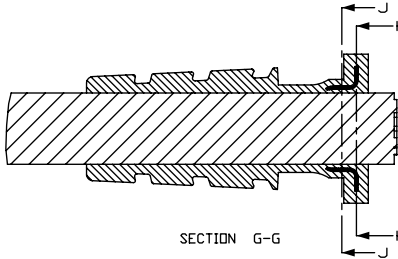
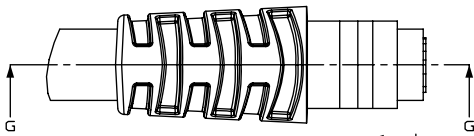
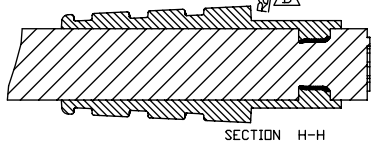
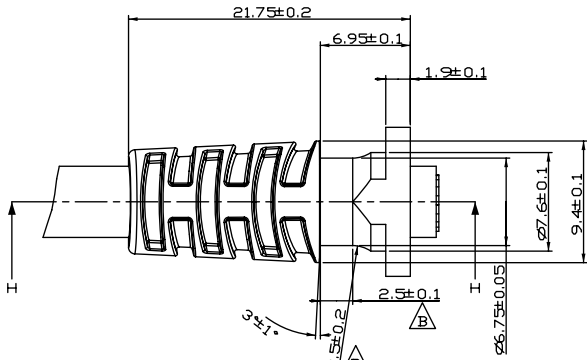


SECTION D-D
SCALE 5:1

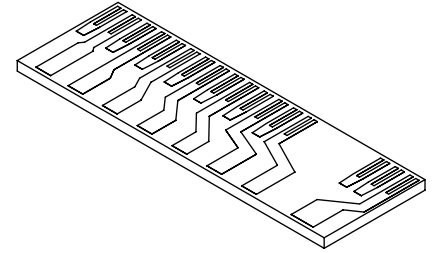
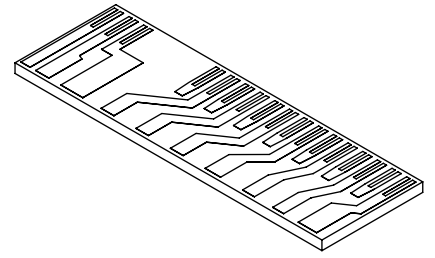
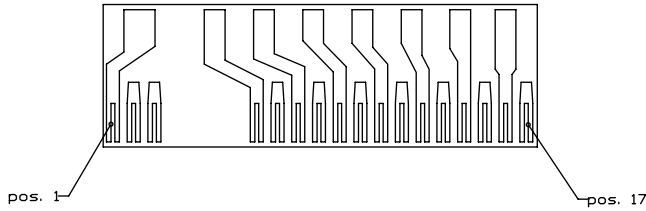
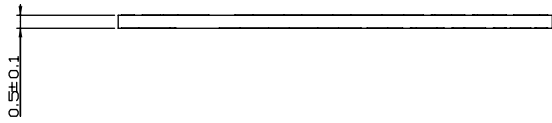
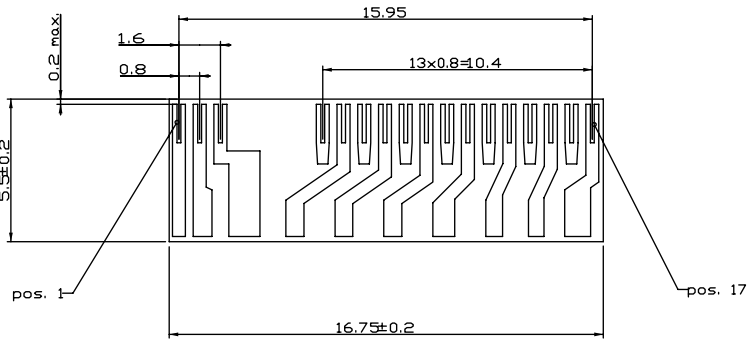


SECTION E-E
SCALE 5:1

part code	tolerance unless otherwise specified		CUSTOMER	FCI	ELECTRONICS
ltr	ecn no	dr	date	www.fciconnect.com	
J				projection	title
				linear	Plug mated with receptacle
				angles	
	dr	J.Gibbels	001004	mm	product family
	eng	H.Verbeijen	001004	scale	Mobile I/O
	chr	H.Klein	001004	4:1	code
	appd	R.Schmeling	001004		213
sheet	revision				sheet
index	sheet				3 of 5



part code		tolerance unless otherwise specified		CUSTOMER OPT		FCI ELECTRONICS	
ltr	ecn no	dr	date	linear	projection	www.fciconnect.com	
J				linear	projection	title Data Plug	
				angles	projection	Recommended grommet	
				dr J.Gibbels 001004	mm	product Family Mobile I/O	code 213
				eng R.Verbeijen 001004	scale 5:1	size	sheet 4 of 5
				dra H.Klein 001004		part no 63636	
				appal R.Semmeling 001004			
sheet index	revision sheet						



netf code		tolerance unless otherwise specified		CUSTOMER OPT		FCI ELECTRONICS	
ltr	ecn no	dr	date	linear	projection	www.fciconnect.com	
J				---	1	title Data Plug Recommended PCB	
				angles	mm	product Family	Mobile I/O
		dr	J.Gibbels	001004	scale	size	code
		eng	H.Verbeijen	001004	10:1	63636	213
		chr	H.Klein	001004			sheet
		appal	R.Semmeling	001004			5 of 5
sheet index	revision	sheet					