

Excellent Integrated System Limited

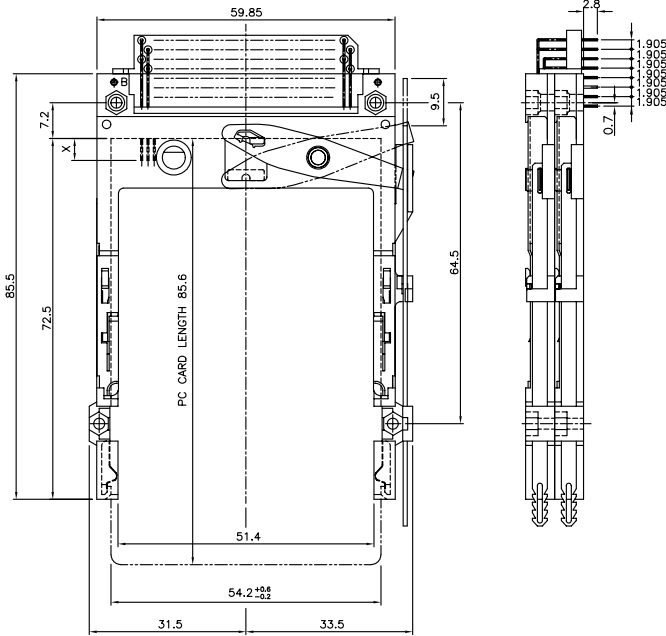
Stocking Distributor

Click to view price, real time Inventory, Delivery & Lifecycle Information:

[FCI](#)
[57455-800CAHLE](#)

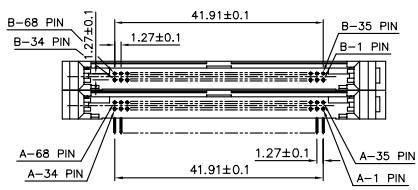
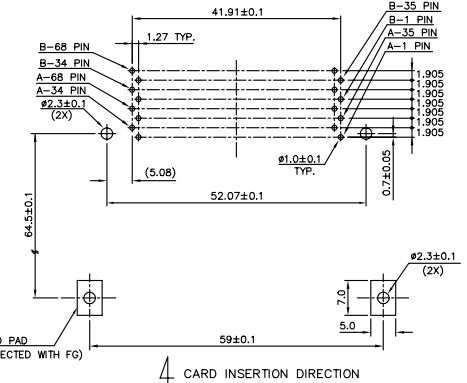
For any questions, you can email us directly:
sales@integrated-circuit.com

PRODUCT NO.	57455-800CA
	57455-800CALF



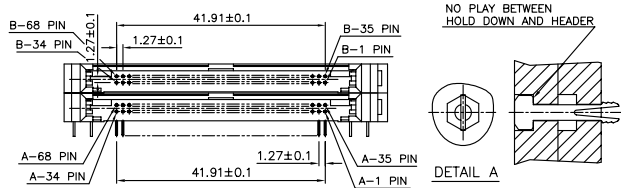
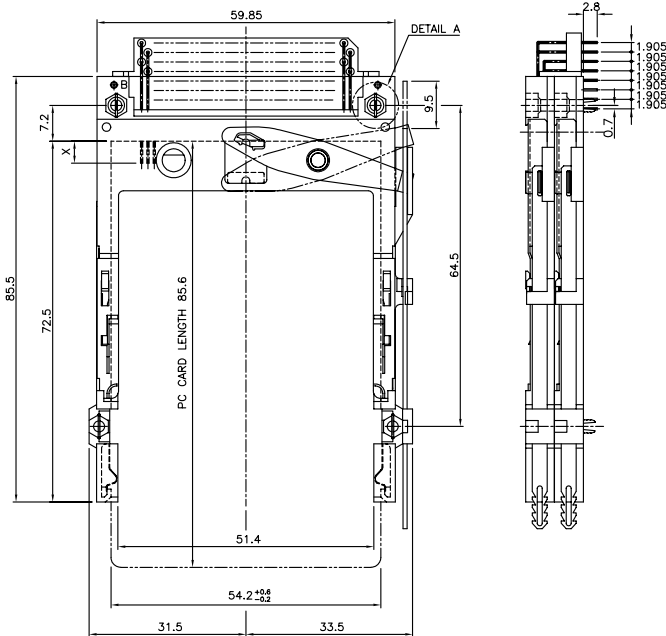
NOTES:

- EJECT FORCE : 3.5 Kg MAX.
- EJECT TRAVEL: 8.0mm
- MATERIAL
- HEADER ASS'Y :
 PLASTIC : HOUSING ...HIGH TEMPERATURE THERMOPLASTIC UL94V-0 BLACK
 : LOCATOR ...HIGH TEMPERATURE THERMOPLASTIC UL94V-0 BLACK
 PIN : COPPER ALLOY
- EJECT MECHANISM ASS'Y :
 PLASTIC : GUIDE: HIGH TEMPERATURE THERMOPLASTIC UL94V-0 BLACK
 : PUSH ROD: HIGH TEMPERATURE THERMOPLASTIC UL94V-0 BLACK
 PLATE : STAINLESS
 EMI CONTACT: PHOSPHOR BRONZE
- FINISH (PIN)
 UNDER PLATING : 1.25 um MIN. Ni
 CONTACT AREA : 0.076 um MIN. GOLD
 SOLDER TAIL : 2.5 um MIN. Sn-Pb
 OTHERS : 2.5 um MIN. PURE Sn (FOR -****LF)



mat'l. code	surface	tolerance	projection	product family
	ISDI302 ✓	ISDI101 ISDI406		PCMCIA
l tr ecn no dr date	tolerances unless otherwise specified			
A T10220 WL 08/15/01	angle	MM	R/A EJECTOR HDR ASS'Y	
B T20214 WL 07/01/02	radius	MM	TYPE 1/2/3	
C N05-0155 WB 06/10/05	0°±2'	MM	dwg no 57455 sheet 1 of 2 size A4	
D BX-N-01333 ZK 04/02/12	dr	MM	type Product Customer Drawing	
	eng	WENDY CHEN 05/30/01	FCI	
	eng	MINERVA WANG 05/30/01		
	chr	MINERVA WANG 05/30/01		
	appd	JENN TSAO 05/30/01		
sheet revision	D			
index sheet	1 2			

PRODUCT NO.
57455-800CAH
57455-800CAHLF

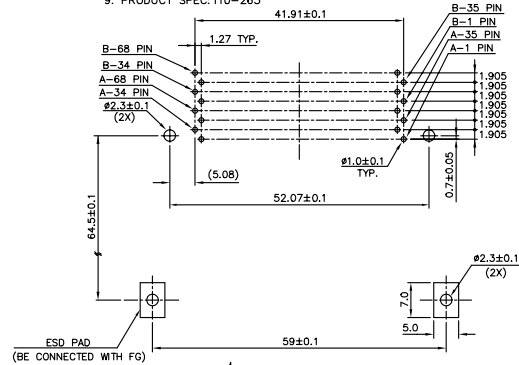


NOTES:

- EJECT FORCE : 3.5 Kg MAX.
- EJECT TRAVEL: 8.0mm
- MATERIAL
- HEADER ASS'Y :
PLASTIC : HOUSING ...HIGH TEMPERATURE THERMOPLASTIC UL94V-0 BLACK
LOCATOR ...HIGH TEMPERATURE THERMOPLASTIC UL94V-0 BLACK
- PIN : COPPER ALLOY
- EJECT MECHANISM ASS'Y :
PLASTIC : GUIDE: HIGH TEMPERATURE THERMOPLASTIC UL94V-0 BLACK
PUSH ROD: HIGH TEMPERATURE THERMOPLASTIC UL94V-0 BLACK
- PLATE : STAINLESS
- EMI CONTACT: PHOSPHOR BRONZE
- FINISH (PIN)
UNDER PLATING : 1.25 um MIN. NI
CONTACT AREA : 0.076 um MIN. GOLD
SOLDER TAIL : 2.5 um MIN. Sn-Pb
SOLDER TAIL : 2.5 um MIN. PURE Sn (FOR -*****LF)

DIM "X"	4.25±0.1	3.5±0.1	5.0±0.1
OTHERS	36,67	1,17,34,35,51,68	

- IF LEAD FREE P/N, THE HOUSING WILL WITHSTAND EXPOSURE TO 260°C PEAK TEMPERATURE FOR 10 SECONDS IN A WAVE SOLDER APPLICATION WITH A 1.00MM MINIMUM THICK CIRCUIT BOARD.
- IF LEAD FREE P/N, THE PRODUCT MEETS EUROPEAN UNION DIRECTIVES AND OTHER COUNTRY REGULATIONS AS DESCRIBED IN GS-22-008
- LEAD FREE P/N PACKAGING MEETS GS-14-920 SPECIFICATION
- PRODUCT SPEC: 110-263



mat'l. code	surface	tolerance	projection	product family
	ISD1302 ✓	ISD1001 ISD406		PCMCIA
l'tec nndr date	tolerances unless otherwise specified			title
D	angle	±0.30	MM	R/A EJECTOR HDR ASS'Y
	0±2'		scale	TYPE 1/2/3
	dr WENDY CHEN 05/30/01			dwg no 57455
	eng MINERVA WANG 05/30/01			sheet 2 of 2
	chr MINERVA WANG 05/30/01			A4
	appd JENN TSAO 05/30/01			type Product Customer Drawing
sheet index	revision sheet			