

Excellent Integrated System Limited

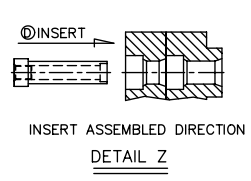
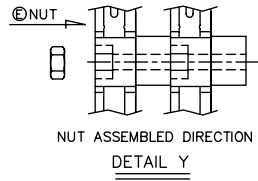
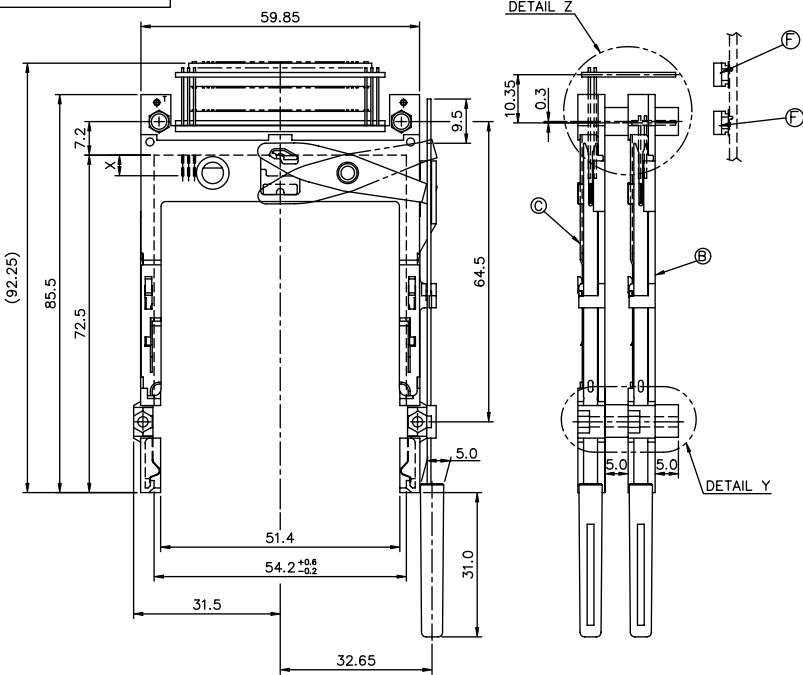
Stocking Distributor

Click to view price, real time Inventory, Delivery & Lifecycle Information:

[FCI](#)
[52439-250HA](#)

For any questions, you can email us directly:
sales@integrated-circuit.com

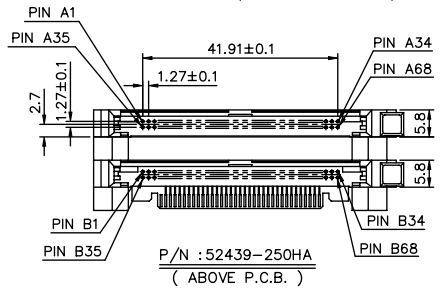
PRODUCT NO.
52439-250HA



NOTE:
1. ORDERING 52439-250HA, BILL OF MATERIAL

DOUBLE DECK BY CUSTOMER		
NAME	PART NO.	Q'TY
(B) DECK CLOSEST TO PCB	52351-050HA	1
(C) DECK FARTHEST FROM PCB	52438-050HA	1
(D) M2 INSERT	61553-0150	2
(E) M2 NUT	92869-002	2
(F) MATING RECEPTACLE	91931-31169	2

2. IF USING SINGLE DECK ONLY, SEE 52351-050HA DRAWING FOR BILL OF MATERIAL



mat'l code	tolerance unless otherwise specified	CUSTOMER COPY	ELECTRONICS FCI
rev. ecn no. dr date	linear ± 0.30	projection	title
A T90346 WL 10/04/99			EJECTOR HEADER ASS'Y
B T20085 WL 03/16/02	angles ± 2°		68POS. FOR TYP 1/2/3
	dr WENDY CHEN 08/30/99	unit mm/inch	product family : PCMCIA
	enrg STELAR GHU 08/30/99	scale 1.2:1	code TYN
	chr JOSEPH HSIA 08/30/99		size A3
	appd LELAND WANG 08/30/99		dwg no. 52439
sheet revision B A			sheet 1 of 2
index sheet 1 2			

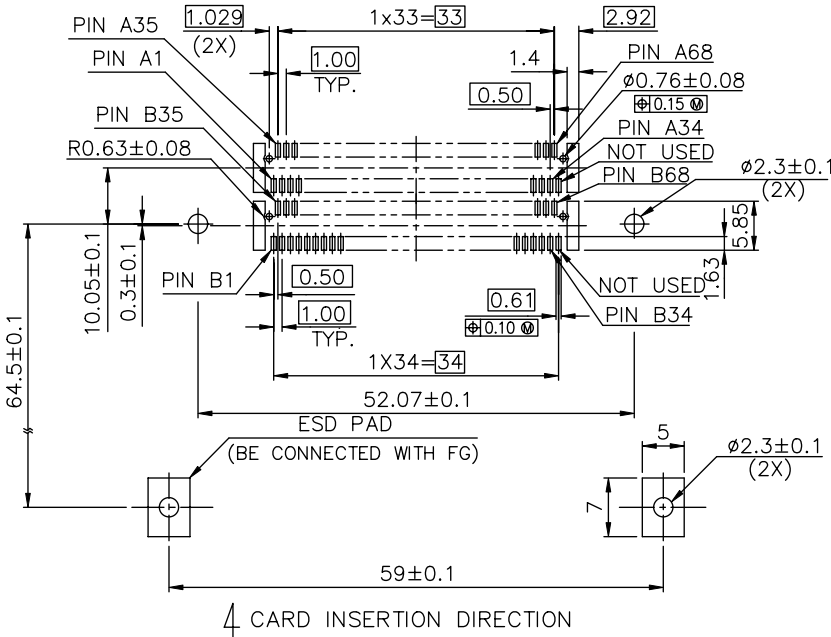
Tous droits réservés. Toute réimpression, reproduction ou communication sans autorisation écrite du propriétaire. Toute réimpression sans autorisation écrite du propriétaire. Droits de reproduction BERG ELECTRONICS by
 All rights strictly reserved. Reproduction or issue to third parties in any form or by any means, without written authority from the proprietor. All rights strictly reserved. Reproduction or issue to third parties in any form or by any means, without written authority from the proprietor. Copyright BERG ELECTRONICS by

PRODUCT NO.
52439-250HA

NOTES:

1. 8mm MIN. CARD EJECT.
2. EJECT TRAVEL: 9.5mm
3. MATERIAL
 - 3.1 HEADER ASS'Y
 PLASTIC : HOUSING ...LCP UL94V-0 BLACK
 PIN : COPPER ALLOY
 PCB : FR4
 - 3.2 EJECT MECHANISM ASS'Y
 PLASTIC : GUIDE: POLYPHTHARAMID,
 UL94V-0 BLACK
 : BUTTON: POLYPHTHARAMID,
 UL94V-0 BLACK
 PLATE : STAINLESS
 EMI CONTACT: PHOSPHOR BRONZE
 - 3.3 RECEPTACLE
 PLASTIC : LCP 94V-0, NATURAL.
 PIN: BeCu
4. FINISH (PIN)
 - UNDER PLATING : 0.5 um MIN. Ni
 - CONTACT AREA : 0.1 um MIN. GOLD OVER
 0.5 um MIN. Pd-Ni
 - SOLDER TAIL : 2.5 um MIN. Sn-Pb
- ⑤ PUSH ROD LOCATION AND P.C.B. SIDE ARE AS APPEARS INSTALLED.
6. DIM "X"

4.25±0.1	3.5±0.1	5.0±0.1
OTHERS	36,67	1,17,34,35,51,68



mat'l code	tolerance unless otherwise specified	CUSTOMER COPY	FCI ELECTRONICS	
rev. ecn no. dr date	linear ± 0.3	projection	title EJECTOR HEADER ASS'Y 68POS. FOR TYP 1/2/3	
	angles ± 2°	unit mm/inch	product family : PCMCIA	code T1N
dr WENDY CHEN 08/30/99		scale 1.2:1	size A3	sheet 2 of
enrg STELAR GHU 08/30/99			dwg no. 52439	
chr JOSEPH HSIA 08/30/99				
appd JENN TSAO 08/30/99				
sheet revision				
index sheet				

Tous droits strictement réservés. Reproduction ou communication à des tiers sans autorisation écrite du propriétaire.
 All rights strictly reserved. Reproduction or issue to third parties in any form without written authority from the proprietor.
 Copyright © 2008 FCI ELECTRONICS by