

Excellent Integrated System Limited

Stocking Distributor

Click to view price, real time Inventory, Delivery & Lifecycle Information:

[Maxim Integrated](#)
[MAX2043EVKIT](#)

For any questions, you can email us directly:

sales@integrated-circuit.com

19-0570; Rev 0; 5/06



MAX2043 Evaluation Kit

Evaluates: MAX2043

General Description

The MAX2043 evaluation kit (EV kit) simplifies the evaluation of the MAX2043 UMTS/WCDMA, DCS, PCS, and WiMAX base-station up/downconversion mixer. It is fully assembled and tested at the factory. Standard 50Ω SMA connectors are included on the EV kit's input and output ports to allow quick and easy evaluation on the test bench.

This document provides a list of test equipment required to evaluate the device, a straight-forward test procedure to verify functionality, a description of the EV kit circuit, the circuit schematic, a bill of materials (BOM) for the kit, and artwork for each layer of the PC board.

Features

- ◆ Fully Assembled and Tested
- ◆ 50Ω SMA Connectors on Input and Output Ports
- ◆ 1700MHz to 3000MHz RF Frequency Range
- ◆ 1900MHz to 3000MHz LO Frequency Range
- ◆ DC to 350MHz IF Frequency Range
- ◆ 7.5dB Conversion Loss
- ◆ +31dBm Input IP3 (Downconversion)
- ◆ +23dBm Input 1dB Compression Point
- ◆ 7.8dB Noise Figure
- ◆ Integrated LO Buffer
- ◆ Integrated RF and LO Baluns
- ◆ Low -3dBm to +6dBm LO Drive
- ◆ Built-In SPDT LO Switch with 43dB LO1 to LO2 Isolation and 50ns Switching Time
- ◆ External Current-Setting Resistor Provides Option for Operating Mixer in Reduced-Power/Reduced-Performance Mode

Component Suppliers

SUPPLIER	PHONE	WEBSITE
Johnson	507-833-8822	www.johnsoncomponents.com
M/A-Com	800-366-2266	www.macom.com
Murata	770-436-1300	www.murata.com

Note: Indicate that you are using the MAX2043 when contacting these component suppliers.

Ordering Information

PART	TEMP RANGE	IC PACKAGE
MAX2043EVKIT	-40°C to +85°C	36 Thin QFN-EP*

*EP = Exposed paddle.

Component List

DESIGNATION	QTY	DESCRIPTION
C1	1	4pF ±0.25pF, 50V C0G ceramic capacitor (0402) Murata GRM1555C1H4R0C
C2, C4, C6, C8	4	22pF ±5%, 50V C0G ceramic capacitors (0402) Murata GRM1555C1H220J
C3	0	Not installed (0603)
C5, C7, C9	3	0.01µF ±10%, 25V X7R ceramic capacitors (0402) Murata GRM155R71E103K
J1-J4	4	PC board edge-mount SMA RF connectors (flat-tab launch) Johnson 142-0741-856

DESIGNATION	QTY	DESCRIPTION
R1	1	357Ω ±1% resistor (0402)
R2	1	47kΩ ±5% resistor (0603)
T1	1	1:1 transformer (50:50) M/A-COM MABAES0029
TP1	1	Large test point for 0.062in PC board (red) Mouser 151-107-RC or equivalent
TP2	1	Large test point for 0.062in PC board (black) Mouser 151-103-RC or equivalent
TP3	1	Large test point for 0.062in PC board (white) Mouser 151-101-RC or equivalent

MAX2043 Evaluation Kit

Component List (continued)

DESIGNATION	QTY	DESCRIPTION
U1	1	Active dual-mixer IC (6mm x 6mm, 36-pin TQFN with exposed paddle) Maxim MAX2043ETX+ NOTE: U1 HAS AN EXPOSED PADDLE CONDUCTOR THAT REQUIRES IT TO BE SOLDER ATTACHED TO A GROUNDED PAD ON THE CIRCUIT BOARD TO ENSURE A PROPER ELECTRICAL/THERMAL DESIGN.

+Denotes lead-free package.

Quick Start

The MAX2043 EV kit is fully assembled and factory tested. Follow the instructions in the *Connections and Setup* section for proper device evaluation.

Test Equipment Required

This section lists the recommended test equipment to verify the operation of the MAX2043. It is intended as a guide only, and substitutions may be possible:

- DC supply capable of delivering +5.0V and 175mA
- Three RF signal generators capable of delivering 10dBm of output power in the 1GHz to 3GHz frequency range (i.e., HP 8648)
- RF spectrum analyzer with a minimum 100kHz to 3GHz frequency range (HP 8561E)
- RF power meter (HP 437B)
- Power sensor (HP 8482A)

Connections and Setup

This section provides a step-by-step guide to testing the basic functionality of the EV kit. As a general precaution to prevent damaging the outputs by driving high-VSWR loads, do not turn on DC power or RF signal generators until all connections are made.

This procedure is specific to operation in the US PCS band (reverse channel: 1850MHz to 1910MHz), high-side injected LO for a 200MHz IF. Choose the test frequency based on the particular system's frequency plan, and adjust the following procedure accordingly. See Figure 1 for the mixer test setup diagram:

- 1) Calibrate the power meter for 2100MHz. For safety margin, use a power sensor rated to at least +20dBm, or use padding to protect the power head as necessary.

- 2) Connect 3dB pads to DUT ends of each of the two RF signal generators' SMA cables. This padding improves VSWR and reduces the errors due to mismatch.
- 3) Use the power meter to set the RF signal generators according to the following:
 - RF signal source: 0dBm into DUT at 1900MHz (this will be about +3dBm before the 3dB pad).
 - LO1 signal source: 0dBm into DUT at 2100MHz (this will be about +3dBm before the 3dB pad).
 - LO2 signal source: 0dBm into DUT at 2101MHz (this will be about +3dBm before the 3dB pad).
- 4) Disable the signal generator outputs.
- 5) Connect the RF source (with pad) to the RF port.
- 6) Connect the LO1 and LO2 signal sources to the EV kit's LO1 and LO2 inputs, respectively.
- 7) Measure the loss in the 3dB pad and cable that will be connected to the IF port. Losses are frequency dependent, so test this at 200MHz (the IF frequency). Use this loss as an offset in all output power/gain calculations.
- 8) Connect this 3dB pad to the EV kit's IF port connector and connect a cable from the pad to the spectrum analyzer.
- 9) Set the DC supply to +5.0V, and set a current limit of around 175mA if possible. Disable the output voltage and connect the supply to the EV kit (through an ammeter, if desired). Enable the supply. Readjust the supply to get +5.0V at the EV kit. There will be a voltage drop across the ammeter when the mixer is drawing current.
- 10) Select LO2 by connecting LOSEL (TP3) to GND.
- 11) Enable the LO and the RF sources.

Testing the Mixer

Adjust the center and span of the spectrum analyzer to observe the IF output tone at 201MHz. The level should be about -10.5dBm (7.5dB conversion loss, 3dB pad loss). The spectrum analyzer's absolute magnitude accuracy is typically no better than ±1dB. Use the power meter to get an accurate output power measurement.

Disconnect the GND connection to LOSEL. It will be pulled high by a pullup resistor on the board to select LO1. Observe that the 200MHz signal increases while the 201MHz decreases.

Reconfigure the test setup using a combiner or hybrid to sum the two LO inputs to do a two-tone IP3 measurement if desired. Terminate the unused LO input in 50Ω.

MAX2043 Evaluation Kit

Detailed Description

The MAX2043 is a high-linearity up/downconverter integrated with RF and LO baluns, an LO buffer, and an SPDT LO input select switch. The EV kit circuit uses the MAX2043 and consists mostly of supply-decoupling capacitors, DC-blocking capacitors, a current-setting resistor, and an IF balun. The MAX2043 EV kit circuit allows for thorough analysis and a simple design-in.

Supply-Decoupling Capacitors

Capacitor C4 is a 22pF supply-decoupling capacitor used to filter high-frequency noise. Capacitors C5, C7, and C9 are larger 0.01μF used for filtering lower frequency noise on the supply.

DC-Blocking Capacitors

The MAX2043 has internal baluns at the RF and LO inputs. These inputs have almost 0Ω resistance at DC, and so DC-blocking capacitors C1, C6, and C8 are used to prevent any external bias from being shunted directly to ground.

LO Bias

Bias current for the integrated LO buffer is set with resistor R1 (357Ω ±1%). The DC current of the device can be reduced by increasing the value of R1 but the device would operate at reduced performance levels (see the *Modifying the EV Kit* section).

Tap Network

Capacitor C3 helps to terminate the second-order inter-modulation products.

IF±

The MAX2043 mixer has an IF frequency range of DC to 350MHz. Note that these differential ports are ideal for providing enhanced IIP2 performance. Single-ended IF applications require a 1:1 balun to transform the 50Ω differential output impedance to a 50Ω single-ended output. After the balun, the IF return loss is better than 15dB. The differential IF is used as an input port for upconverter operation. The user can use a differential IF amplifier following the mixer, but a DC block is required on both IF pins. In this configuration, the IF+ and IF- pins need to be returned to ground through a high resistance (about 1kΩ). This ground return can also be accomplished by grounding the RF tap (pin 8) and AC-coupling the IF+ and IF- ports (pins 13 and 14).

LOSEL

The EV kit includes a 47kΩ pullup resistor (R2) for easy selection of the LO port. Providing a ground at TP3 selects LO2, and leaving TP3 open selects LO1. To drive TP3 from an external source, follow the limits called out in the MAX2043 device data sheet. Logic voltages should not be applied to LOSEL without the +5V supply voltage. Doing so can cause the on-chip ESD diodes to conduct and could damage the device.

Layout Considerations

The MAX2043 evaluation board can be a guide for your board layout. Pay close attention to thermal design and close placement of components to the IC. The MAX2043 package exposed paddle (EP) conducts heat from the device and provides a low-impedance electrical connection to the ground plane. The EP must be attached to the PC board ground plane with a low thermal and electrical impedance contact. Ideally, this is achieved by soldering the backside of the package directly to a top metal ground plane on the PC board. Alternatively, the EP can be connected to an internal or bottom-side ground plane using an array of plated vias directly below the EP. The MAX2043 EV kit uses nine evenly spaced 0.016in-diameter, plated through holes to connect the EP to the lower ground planes.

Depending on the ground-plane spacing, large surface-mount pads in the IF path may need to have the ground plane relieved under them to reduce parasitic shunt capacitance.

Modifying the EV Kit

The RF, LO, and IF ports are broadband matched, so there is no need to modify the circuit for use anywhere in the 1700MHz to 3000MHz RF range, 1900MHz to 3000MHz LO range, and 50MHz to 350MHz IF range.

The DC current of the device can be reduced if reduced performance is acceptable. Reducing the current is accomplished by increasing the value of R1. Doubling the value of R1 reduces the DC current approximately in half. Approximately 10% of the overall IC current is used for basic operation of the device (R1 set at 357Ω) and cannot be reduced.

MAX2043 Evaluation Kit

Evaluates: MAX2043

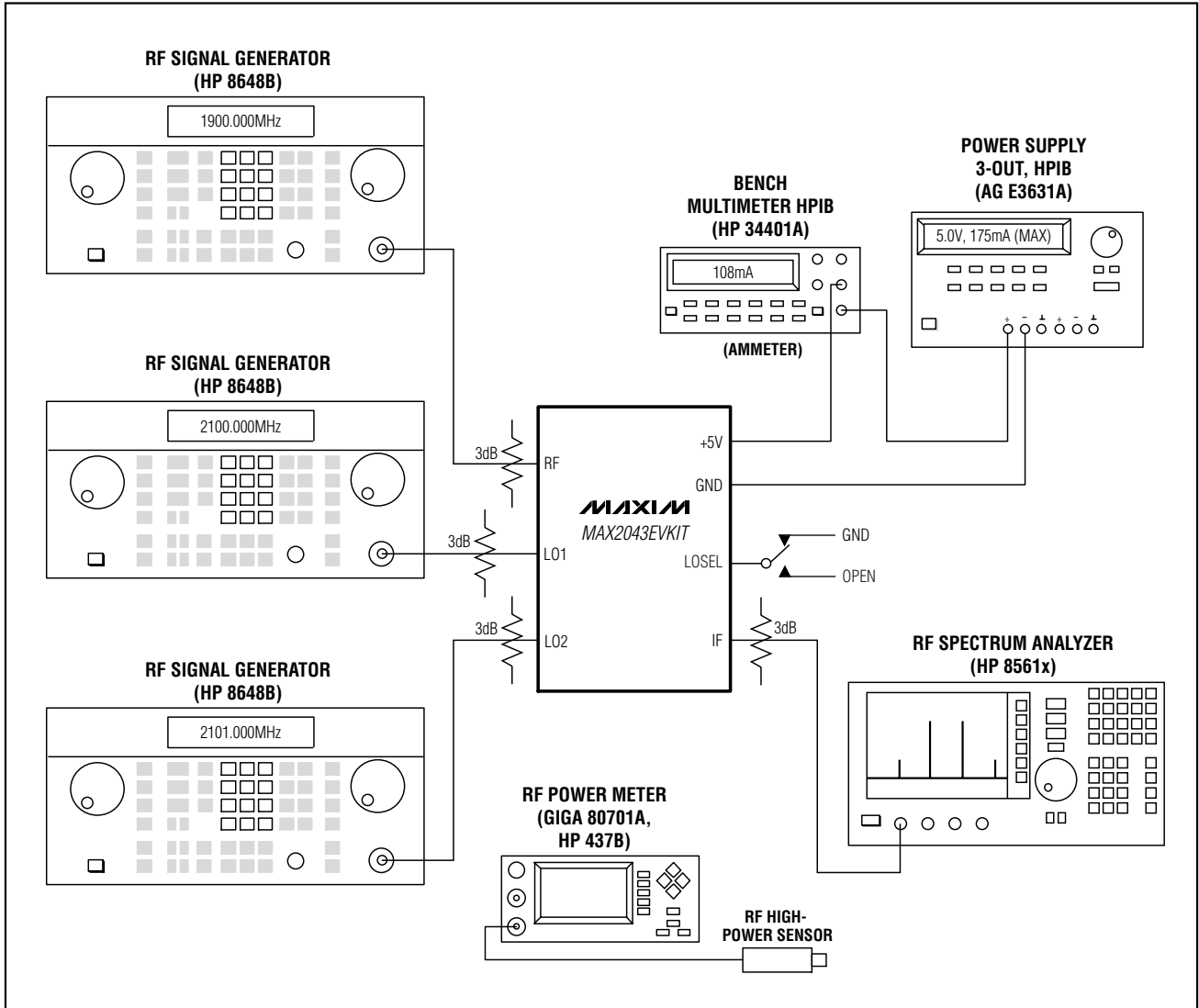


Figure 1. Test Setup Diagram

MAX2043 Evaluation Kit

Evaluates: MAX2043

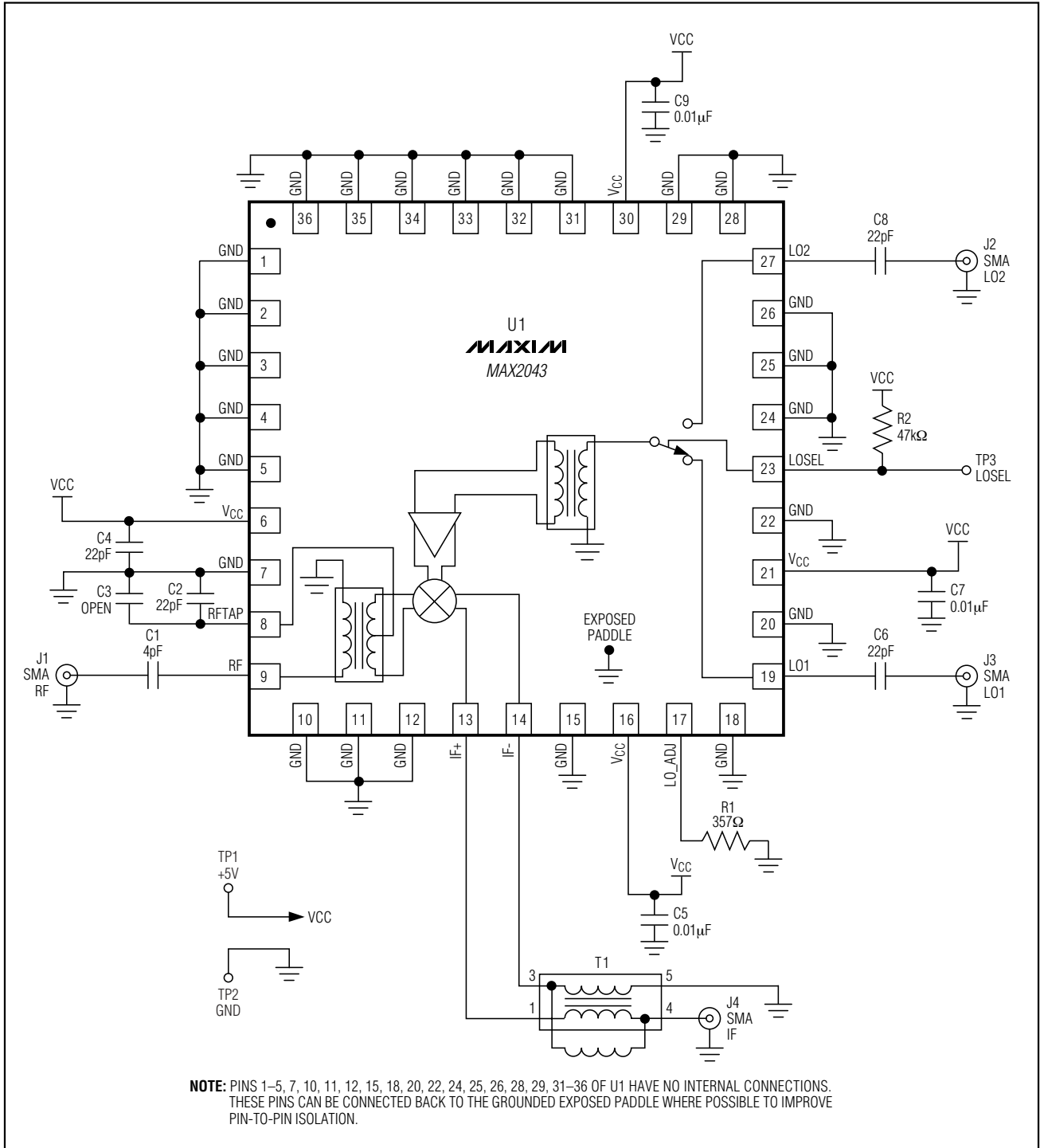


Figure 2. MAX2043 EV Kit Schematic

MAX2043 Evaluation Kit

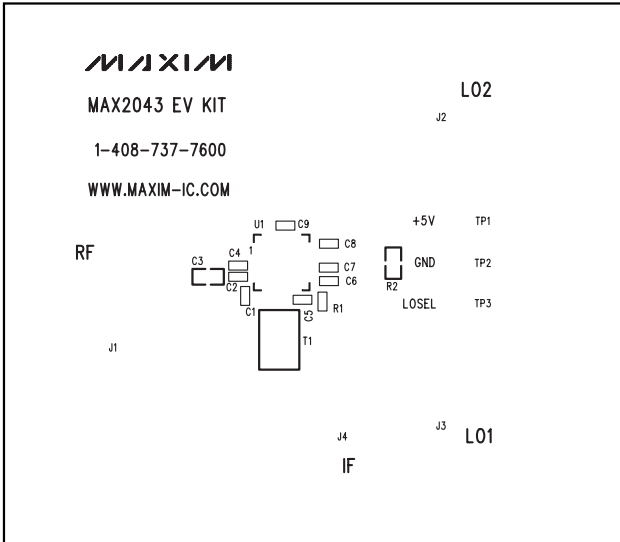


Figure 3. MAX2043 EV Kit PC Board Layout—Top Silkscreen

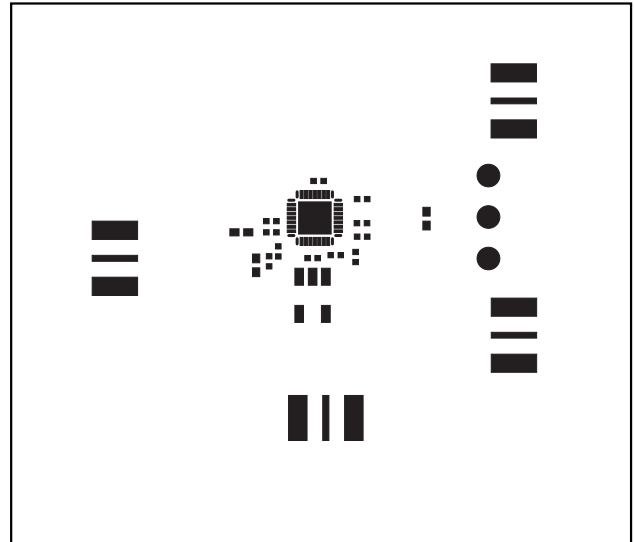


Figure 4. MAX2043 EV Kit PC Board Layout—Top Soldermask

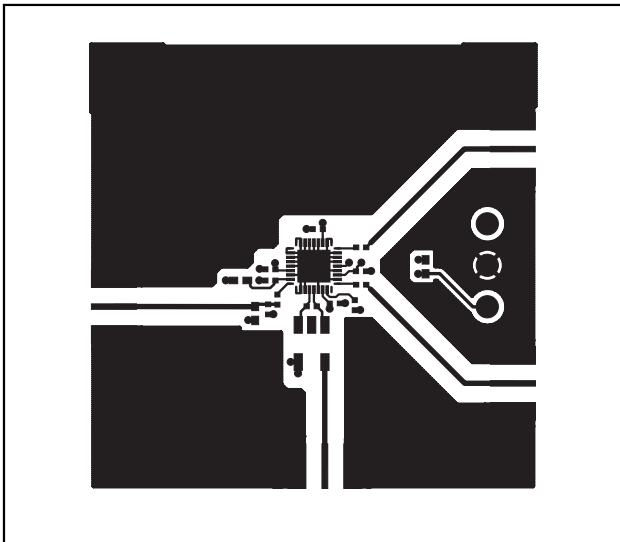


Figure 5. MAX2043 EV Kit PC Board Layout—Top Layer Metal

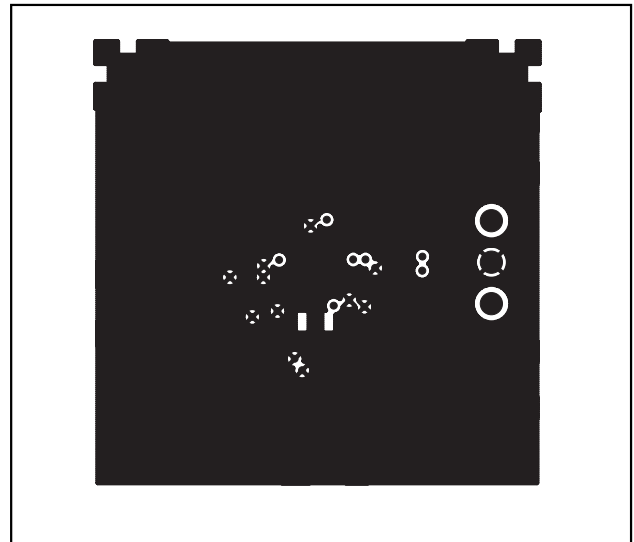


Figure 6. MAX2043 EV Kit PC Board Layout—Inner Layer 2 (GND)

MAX2043 Evaluation Kit

Evaluates: MAX2043

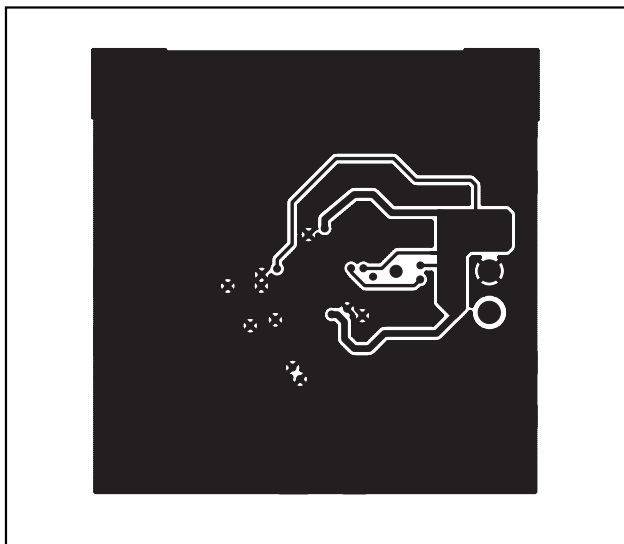


Figure 7. MAX2043 EV Kit PC Board Layout—Inner Layer 3 (Routes)

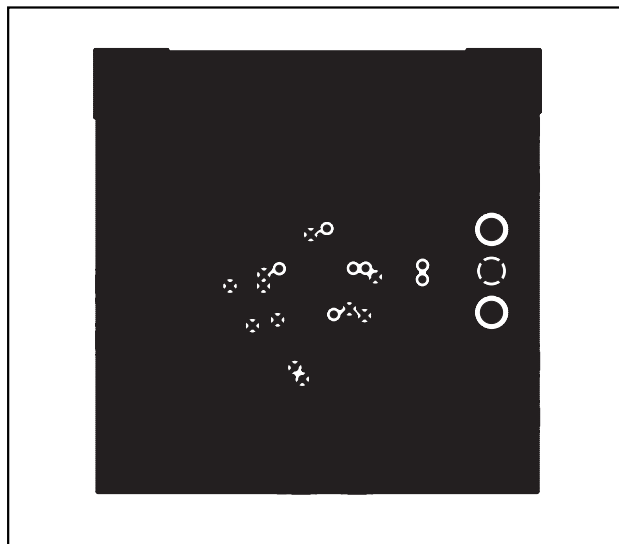


Figure 8. MAX2043 EV Kit PC Board Layout—Bottom Layer Metal

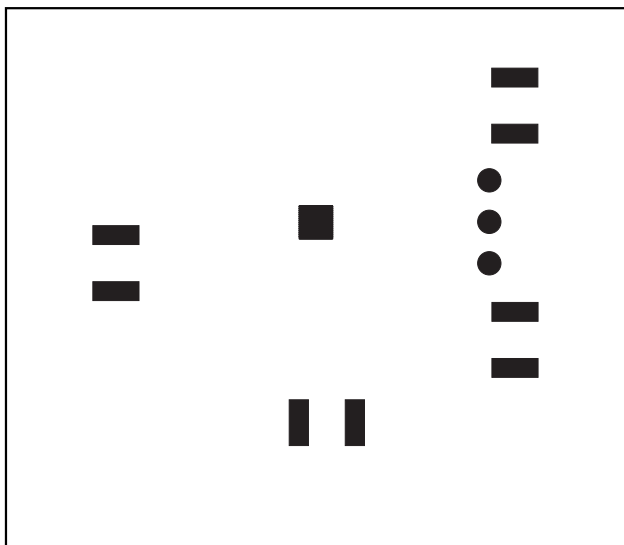


Figure 9. MAX2043 EV Kit PC Board Layout—Bottom Soldermask

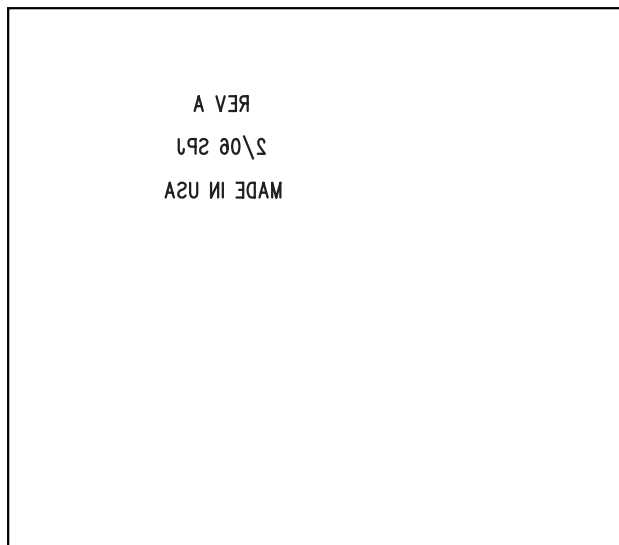


Figure 10. MAX2043 EV Kit PC Board Layout—Bottom Silkscreen

Maxim cannot assume responsibility for use of any circuitry other than circuitry entirely embodied in a Maxim product. No circuit patent licenses are implied. Maxim reserves the right to change the circuitry and specifications without notice at any time.

Maxim Integrated Products, 120 San Gabriel Drive, Sunnyvale, CA 94086 408-737-7600 _____ **7**