

Excellent Integrated System Limited

Stocking Distributor

Click to view price, real time Inventory, Delivery & Lifecycle Information:

[Capital Advanced Technologies, Inc.](#)
[6405](#)

For any questions, you can email us directly:
sales@integrated-circuit.com

SURFBOARDS®



THE BREADBOARDING MEDIUM FOR SURFACE MOUNT SM

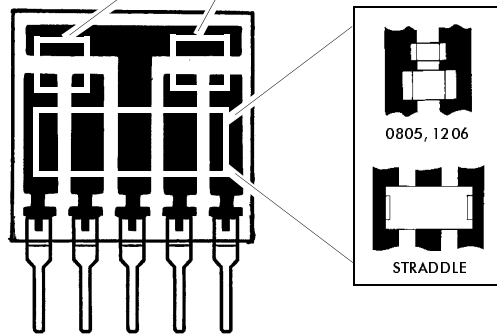
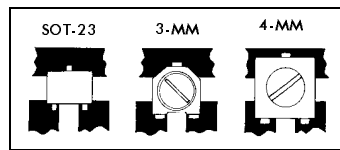
LDS6400A 3-9-99

6000 SERIES FOR DISCRETE COMPONENTS

MODELS 6405, 6410, AND 6415

DESIGN SUPPORTS MULTIPLE CIRCUIT APPLICATIONS

The model 6405 can support two 3 terminal devices and several 2 terminal devices. The 6410 repeats the basic pattern twice, and the 6415 three times. The universal mounting zones for 2 and 3 terminal devices support a range of device sizes. The basic pattern provides for the construction of moderate density circuit elements. Foil modifications can create additional component zones or re-configure connection layout. Models 6410 and 6415 support higher density applications.

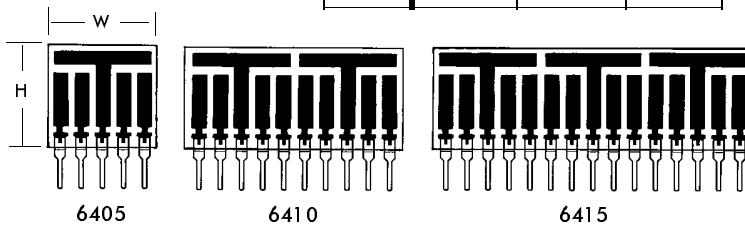


SIP PINS ON .100 in. Centers

STANDARD MODELS

SEE TABLE

MODEL	W (in.)	H (in.)	NO. PINS
6405	.500	.500	5
6410	1.0	.500	10
6415	1.50	.500	15



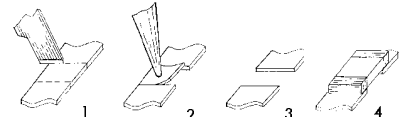
CUSTOM VARIATIONS AVAILABLE ON A SPECIAL ORDER BASIS

BUILD
 AMPLIFIER CIRCUITS
 COMPONENT ARRAYS
 SWITCHING CIRCUITS
 TRANSISTOR ARRAYS
 CONTROL CIRCUITS
 SPECIALIZED NETWORKS
 INTERFACE CIRCUITS
 AND MUCH MORE

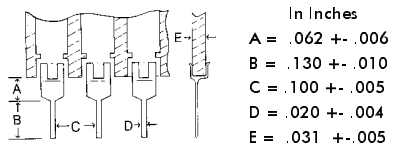
FOIL MODIFICATIONS EXPAND VERSATILITY

Typical of many Surfboards are large pad areas which which may be modified to create additional part mounting zones or expand layout options.

- 1: Score foil with sharp razor to define new zone.
- 2: Apply heat with iron to delaminate foil section.
- 3: New mounting zone has been created.
- 4: Solder component to new mounting zone.



PIN SPECIFICATIONS / TOLERANCES



BOARD SPECIFICATIONS

BOARD MATERIAL: .031 ± .005 In. Thick 10 FR-4 Glass Epoxy or equivalent.
 CIRCUITS: 1 Oz. Copper with solder coated pads.
 TOLERANCES: Given in inches
 Board Size ± .020 / OAL ± .040
 Circuit pattern/position ± .005

PATENT PENDING. Copyright 1997, 1999 by Capital Advanced Technologies, Inc. All rights reserved. Surfboards Are a registered trademark of Capital Advanced technologies, Inc. All other trademarks or registered trademarks are property of their respective owners. Availability, specifications, and prices are subject to change without notice. All information given is believed to be accurate but is not guaranteed. The user of information given or products represented by such information is responsible for determining the suitability of said information or products for a given purpose.

CAPITAL ADVANCED TECHNOLOGIES, INC.

CAROL STREAM, ILLINOIS, USA.

PHONE 630-690-1696 WWW.Capitaladvanced.Com FAX-ON-DEMAND 630-690-2865