

Excellent Integrated System Limited

Stocking Distributor

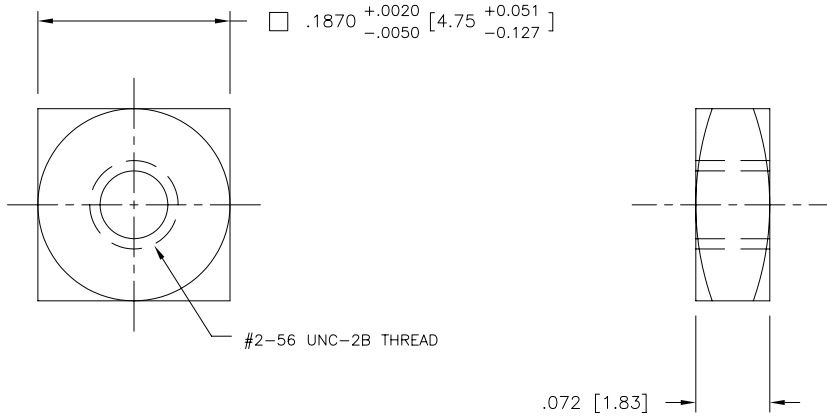
Click to view price, real time Inventory, Delivery & Lifecycle Information:

[FCI](#)
[71226-001LF](#)

For any questions, you can email us directly:

sales@integrated-circuit.com

| PRODUCT NO. | NOTES |
|-------------|--------|
| 71226-001 | - |
| 71226-001LF | NOTE 2 |

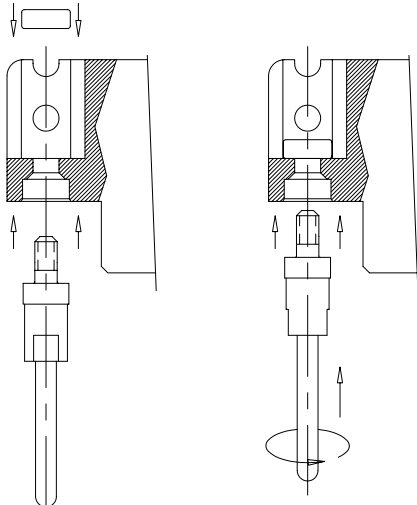


NOTES:

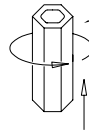
1. MATERIAL: 416 STAINLESS STEEL.
2. THIS PRODUCT MEETS EUROPEAN UNION DIRECTIVES AND OTHER COUNTRY REGULATIONS AS DESCRIBED IN GS-22-008.

| | | | | | |
|-------------|----------------|---------------------|----------------------------------|---------------------------------------|-------------------------------|
| mat'l. code | | surface ISO 1302 | tolerance ISO 406 ISO 1101 | projection | product family HPC |
| ltr | ecr no | dr | date | tolerances unless otherwise specified | title |
| A | V50947 | GAH | 8/8/95 | angles .XX±.01/.3 | NUT, SQUARE #2-56 |
| B | V60758 | SAR | 6/18/96 | linear .XXX±.005/.13 | |
| C | V00558 | LSS | 3/3/00 | 0°±2' | INCH/MM |
| D | V05-0697 | DAI | 8/18/05 | dr G. HULL 8/8/95 | scale 1:1 |
| E | M06-0265 | AGS | 7/10/06 | enr D. HORCHLER 7/25/95 | dwg no |
| | | | | chr D. HORCHLER 8/9/95 | 71226 |
| | | | | appd S. CLARK 8/10/95 | sheet 1 of 2 size |
| | | | | | A3 |
| sheet index | revision sheet | E | E | | type Product Customer Drawing |
| | | 1 | 2 | | |

PRODUCT NO.
SEE SHT. 1

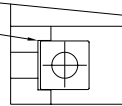


UN-ASSEMBLED GUIDE PIN



SEE NOTE 2

SQUARE NUT HELD FROM ROTATING BY SLOT



SQUARE NUT 71226-001

ROUND CONFIGURATION

GUIDE PIN 71225-001

ASSEMBLED GUIDE PIN

NOTE:

- ① MATERIAL: 416 STAINLESS STEEL.
2. RECOMMENDED INSTALLATION TOOL: P/N 166769-001 (FOR USE IN 1/4" HEX DRIVE).
3. DRAWING 71225 IS A RECEPTACLE MOUNTED MALE GUIDE PIN

ASSEMBLY NOTE:

AFTER CONNECTOR IS ON PCB, INSERT THE SQUARE NUT, AND THEN SCREW IN THE GUIDE PIN

| | | | | | |
|---------------------------------------|-------------|---------|------------------|------------|-------------------|
| mat'l. code | | surface | tolerance | projection | product family |
| ISO 1302 | | ISO 406 | ISO 1101 | | HPC |
| ltr | ecr | no | dr | date | title |
| E | | | | | NUT, SQUARE #2-56 |
| tolerances unless otherwise specified | | angles | linear | scale | INCH/MM |
| | | | .XX±.01/.3 | 1:1 | |
| | | | .XXX±.005/.13 | | |
| | | | .XXXX±.0020/.051 | | |
| dr | G. HULL | 8/8/95 | | | scale 1:1 |
| enr | D. HORCHLER | 7/25/95 | | | |
| chr | D. HORCHLER | 8/9/95 | | | |
| appd | S. CLARK | 8/10/95 | | | |
| sheet | revision | | | | |
| index | sheet | | | | |