

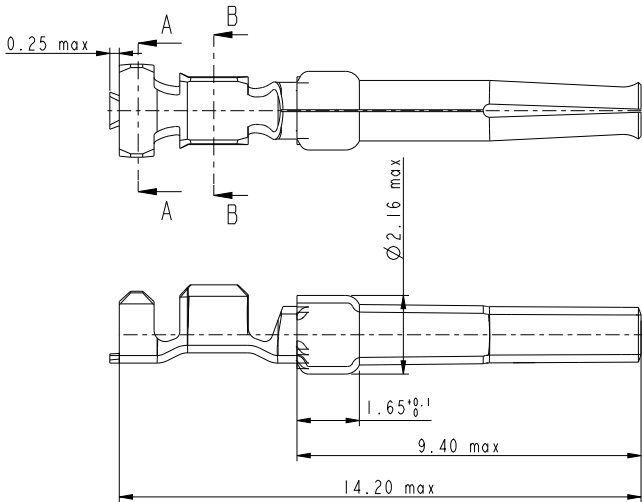
Excellent Integrated System Limited

Stocking Distributor

Click to view price, real time Inventory, Delivery & Lifecycle Information:

[FCI](#)
[86566520064LF](#)

For any questions, you can email us directly:
sales@integrated-circuit.com



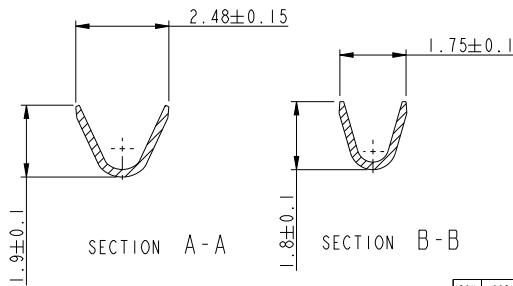
NOTES:

- 1-Material: phosphor bronze, thickness 0.20
- 2-Finish on contact area: see table
finish on termination: bright tin over nickel
- 3-Wire range: 20 to 24 AWG
- 4-Max outer dia of wire insulator: 1.73 mm
- 5-Current carrying capacity per contact:
 - 5 Amps max when crimped to #20 AWG
 - 5 Amps max when crimped to #22 AWG
 - 3 Amps max when crimped to #24 AWG
- 6-After 5 insertions into connector, contact retention must be 5 pounds axial load min
- 7-When contact is crimped to 20 AWG, the insulation support crimped height must be 1.78 mm max to ensure a proper insertion into housing
- 8-Reel should be continuous without any contacts missing in between
- 9-Packaging: Reel of 5000 contacts

NOTE : ROHS INFORMATIONS

The LF products meet European union directives and other country regulations as described in GS-22-008
Terminations plating spec : 2um Nickel min + 2um Sn min
Packaging Spec : see GS-14-930

CORE RANGE	
86566520067LF	0.4μ Au/GXT
86566520067	0.4μ Au/GXT
86566520065LF	0.76μ Au/GXT
86566520065	0.76μ Au/GXT
86566520064LF	Flash Au
86566520064	Flash Au
PART NUMBER	Plating



www.fciconnect.com		surface ISO 1302	tolerance std ISO 406 ISO 1101	projection mm
Dr C JARRY 28/01/97		TOLERANCES UNLESS OTHERWISE SPECIFIED		mm
Eng		ANGULAR	0.X ±0.3	size A3 Scale 10:1
Chr		LINEAR	0.XX ±0.1	ECN 111-0003
Appr		0° ±2°	0.XXX ±0.05	Spec ref
Product family			8656	
FCJ		TITLE CRIMP CONTACTS		Rev. H
catalog no		C01-8656-0424		sheet 1 of 1

rev	ecn no	dr	date
E	LS06-196	MPE	28/11/2006
F	109-0152	AMR	2009-07-27
G	110-0070	AMR	2010-03-09
H	111-0003	AMR	2011-01-06
-	-	-	-
-	-	-	-



Copyright FCI.