

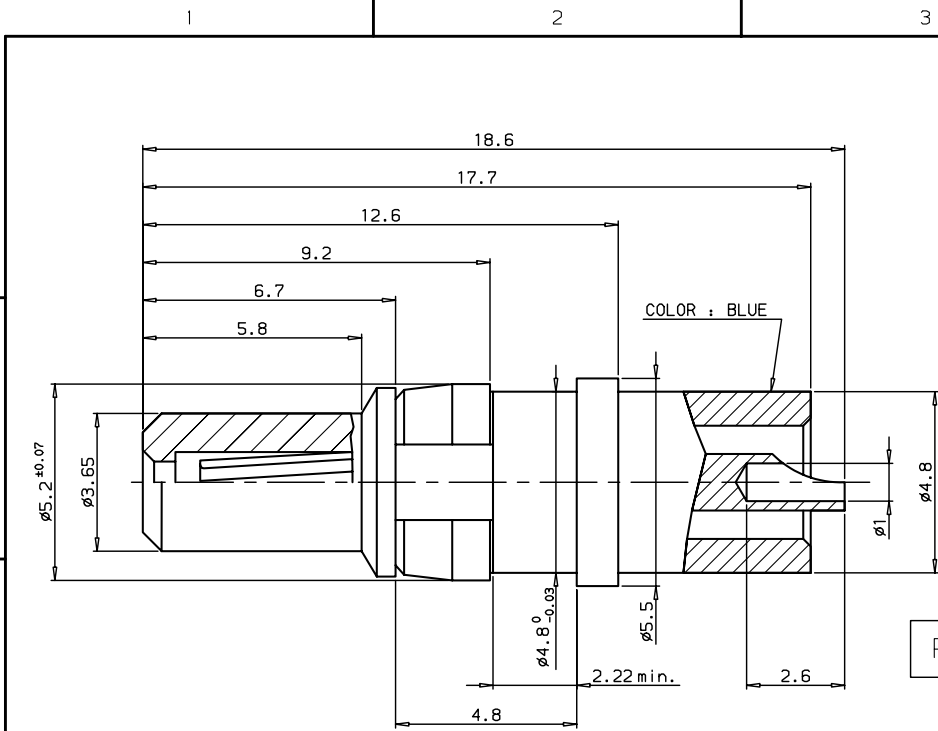
Excellent Integrated System Limited

Stocking Distributor

Click to view price, real time Inventory, Delivery & Lifecycle Information:

[FCI](#)
[86382000LF](#)

For any questions, you can email us directly:
sales@integrated-circuit.com



MATERIAL and Plating
 Body:blue PTFE
 Center contact:phosphor bronze gold plated
 extraction force>0.20 N with gauge 0.99
 CLip:beryllium,nickel pated
 ELECTRICAL DATA
 Contact resistance:<3mΩ
 Contact current:1.5A
 Test voltage:3800V rms
 Working voltage:2800V rms
 MECHANICAL DATA:> 100
 TEMPERATURE RANGE:-55°C to +125°C
 PACKAGING:per 100 pieces

PART NUMBER 86382000LF

IND	DESIGNATION
C	ADD CHARACTERISTICS AND SHOW INNER CONTACT

rev	ecm no	dr	date
A	LS06-0022	MPE	2006/03/11
B	LS06-0055	LGO	2006/07/19
C	LS07-0267	MPE	2007/11/09

www.fciconnect.com		surface ISO 1302	tolerance std ISO 406 ISO 1101	projection mm
		TOLERANCES UNLESS OTHERWISE SPECIFIED		
Dr	M.PEYSSON	2006/03/11	ANGULAR	0.X ±0.1
Eng	M.PEYSSON	2006/03/11	LINEAR	0.XX ±0.1
Chr	LEGARRE	2006/03/11	0.XX ±2°	0.XXX ±0.1
Appr	LEGARRE	2006/03/11	Product family	D-SUB
		Spec ref		-
title HIGH VOLTAGE CONTACT MALE			size A3	Scale 10
catalog no			chg no C01-8638-0359	Rev. C
			CUSTOMER	sheet 1 of 1

Copyright FCI

REV F - 2006-04-17