

Excellent Integrated System Limited

Stocking Distributor

Click to view price, real time Inventory, Delivery & Lifecycle Information:

[FCI](#)

[75189-113-10](#)

For any questions, you can email us directly:

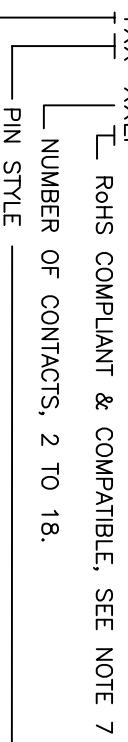
sales@integrated-circuit.com



Copyright FCI

FCIconnect.com

PRODUCT NUMBER
75189-XXX-XXLF

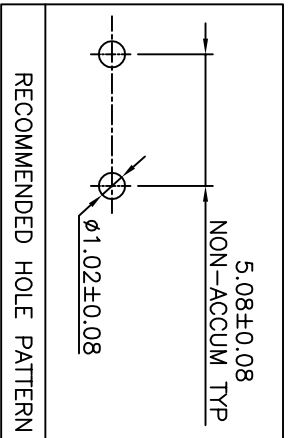
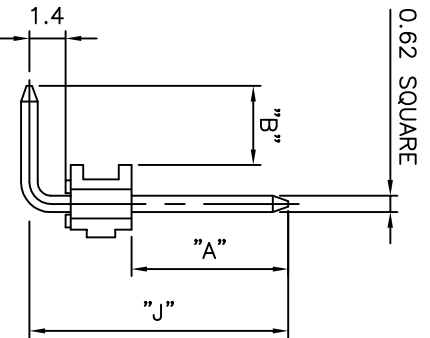
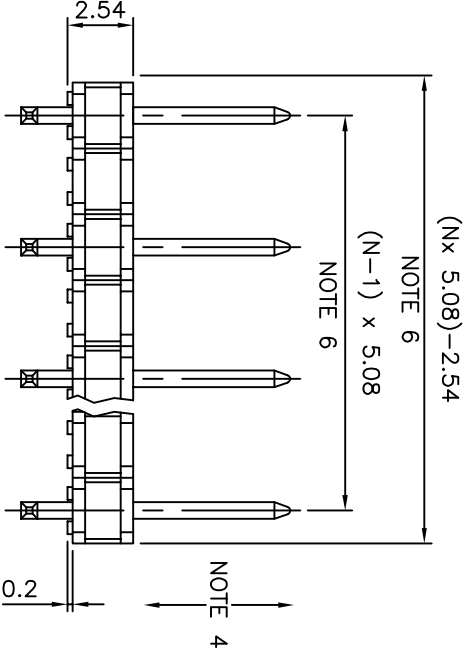
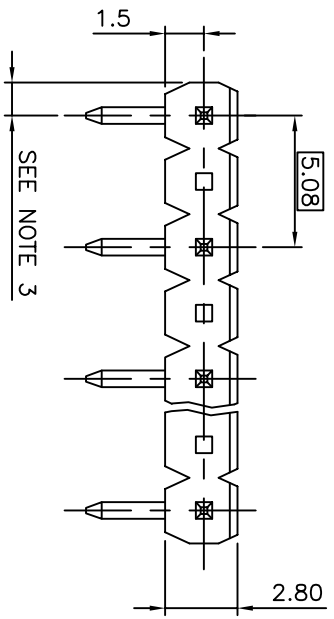


STYLE	"A"±0.2	"B"±0.35	"J" REF
01	5.72	2.57	9.65
13	5.72	3.45	9.65

PLATING: 1 = 0.76µm FULL GOLD
 1.27µm Ni MIN UNDERPLATING

NOTES:

- HOUSING MAT'L : HIGH TEMPERATURE THERMOPLASTIC FLAME RETARDANT PER UL94-V0, COLOR BLACK.
- PIN MATERIAL : PHOSPHOR BRONZE.
- DIM 1.27^{+0.03}_{-0.13} FOR MOULDED SIDE(S) ONLY. IF SIDE(S) ARE BROKEN, DIM 1.02 TO 1.7 MAX APPLIES.
- PIN PUSH OUT FORCE : 12N MIN.
- PRODUCT PACKAGED IN POLY BAGS.
- TO DETERMINE DIMENSIONS : N = NUMBER OF CONTACTS
- ROHS COMPATIBLE PRODUCT SPECIFICATIONS
 - a - LF MEANS THE PRODUCT IS LEAD-FREE
 - b - MANUFACTURING PROCESS COMPATIBILITY
 - THE HOUSING WILL WITHSTAND EXPOSURE TO 260°C ±5°C SOLDER BATH TEMPERATURE FOR 5 SECONDS IN A WAVE SOLDER APPLICATION WITH A 1.6mm MIN THICK CIRCUIT BOARD.
 - MEETS PACKAGING SPECS AS PER GS-14-920
 - c - LABELING:
 - d - LEGAL STATEMENT: SEE GS-47-0004



mat'l. code	ISO 1302	surface	tolerance	ISO 406	ISO 1111
lfr	ecn no	dr	date	ISO 1302	tolerance unless otherwise specified
H	F10076	JMC	91.02.25	linear	x ±0.3
J	F05-0198	JCO	05.06.09	linear	xx ±0.15
K	F06-0198	LMU	06.06.20	xxx	±0.05
L	B-19261	LMU	14.10.31	dr	LMU
				engr	JCOMPAGNON
				chr	
				qppd	JCO
sheet	revision				05.06.09
index	sheet				

projection	product family
mm	BSTIK
scale 5:1	
title	HEADER, SR, RA
dwg no	75189
sheet 1 of 1	
type	CUSTOMER
revision	
index	

form A3

1

2

3

4

5