

## Excellent Integrated System Limited

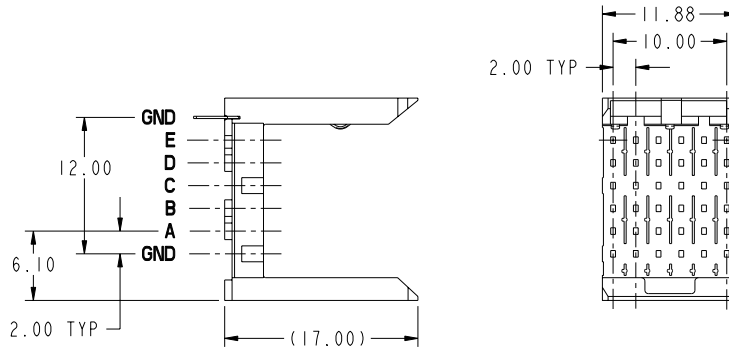
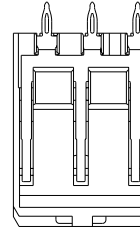
Stocking Distributor

Click to view price, real time Inventory, Delivery & Lifecycle Information:

[FCI](#)  
[73993-101LF](#)

For any questions, you can email us directly:  
[sales@integrated-circuit.com](mailto:sales@integrated-circuit.com)

PRODUCT NUMBER	GROUND SPRING CONTACT FINGERS PLATING PERFORMANCE LEVEL	
	GROUND SPRING PRESS FIT TAIL PLATING	
73993-101	TELCORDIA CO	STANDARD (SnPb)
73993-101LF		LEAD FREE (Sn)
73993-501	TELCORDIA UE	STANDARD (SnPb)
73993-501LF		LEAD FREE (Sn)

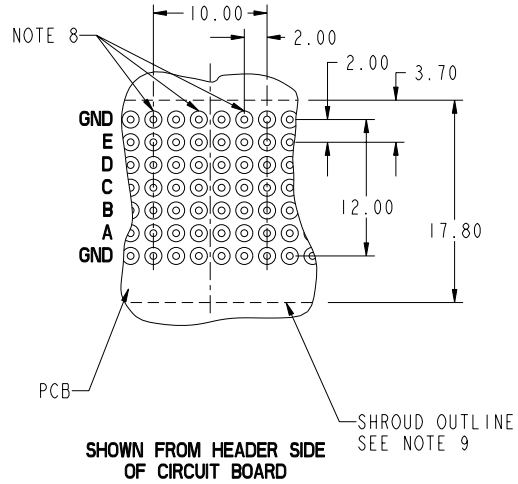


mat'l code: SEE NOTE 5				tolerances unless otherwise specified		CUSTOMER		<b>FCI</b>	
lir	ecm no.	dr	date			COPY		www.fciconnect.com	
H	V07-0186	DCH	2007-04-23	linear	0.X ±0.3	projection		title: VERTICAL SIGNAL HDR SHROUD	
J	V07-0693	HTB	2007-11-26		0.XX ±0.13	MM		5 ROW P.F. 30 POS. STANDARD	
K	V08-0071	HTB	2008-02-08	angles	.XXX ±.051	scale		product family: METRAL 1000	
-	-	-	-	dr	0° ±2°	2:1		size: 73993	
E	V20705	CGD	2002-04-11	engr	E. KROPER. 2001-09-17	A		code: 213	
F	V05-0797	VS	2005-08-31	chr	J. VOLSTORF 2001-09-17			sheet: 1 of 3	
G	V06-0544	DCH	2006-06-09	appd	J. VOLSTORF 2001-09-17				
sheet index	revision sheet	K	K	K					
		1	2	3					

This document is the property of and embodies CONFIDENTIAL and PROPRIETARY information of FCI. No part of the information shown on this document may be used in any way or disclosed without the written consent of FCI. Copyright FCI.

PRODUCT NUMBER  
SEE SHEET 1

PRESS-FIT HOLES	OPTION 1 ROWS GND-PIN, A,B,C,D,E	OPTION 2 ROW GND-SPRING
HOLE DIAMETER AFTER PLATING	0.65-0.80	0.45-0.55
DRILLED HOLE	0.81-0.86 (0.85 DRILL)	0.60±0.02
COPPER PLATING	0.025 MIN	0.025 MIN
SnPb PLATING	0.005-0.015	0.005-0.015



mat'l code SEE NOTE 5				tolerances unless otherwise specified		CUSTOMER		<b>FCI</b> www.fciconnect.com	
lfr	ecn no.	dr	date	linear	0.X ±0.3	projection	COPY	title	
K					0.XX ±0.13			VERTICAL SIGNAL HDR SHROUD	
				angles	.XXX ±.051				5 ROW P.F. 30 POS. STANDARD
				dr	E. KRÖPER 2001-09-17	← MM →	product family	METRAL 1000	code
				eng	J. VOLSTORF 2001-09-17	scale	size	dwg no	213
				chr	J. VOLSTORF 2001-09-17	2:1	A	73993	sheet
				appd	J. VOLSTORF 2001-09-17				2
sheet index	revision sheet								

This document is the property of and embodies  
 CONFIDENTIAL and PROPRIETARY information of FCI.  
 No part of the information shown on this  
 document may be used in any way or disclosed  
 without the written consent of FCI.  
 Copyright FCI.

REV E - 2008-04-18

Pro/E 3 cage code 22526 4

**PDM: Rev:K** STATUS: **Released** Printed: May 13, 2011

PRODUCT NUMBER  
SEE SHEET 1

NOTES:

1. SEE APPLICATION SPECIFICATION GS-20-010 FOR INFORMATION ON AVAILABLE TOOLING, CIRCUIT BOARD DESIGN CONSIDERATIONS, REPAIR PROCEDURES AND PRODUCT OFFERINGS.
2. SEE FCI PUBLICATION 950511-028 FOR "ELECTRICAL PERFORMANCE DATA FOR DIFFERENTIAL APPLICATIONS."
3. SEE FCI PUBLICATION 950511-029 FOR "ELECTRICAL PERFORMANCE DATA FOR SINGLE-ENDED APPLICATION."
4. UNLESS OTHERWISE SPECIFIED, ALL DIMENSIONS AND TOLERANCES ARE IN ACCORDANCE WITH ASME Y14.5, 1994
5. HOUSING MATERIAL: LIQUID CRYSTAL POLYMER, 30% GLASS FILLED, FLAME RETARDANT PER UL 94-V0.  
GROUND SPRING MATERIAL: PHOSPHER BRONZE  
STRIPLINE SHIELDED MATERIAL: PHOSPHER BRONZE
6. PLATING INFORMATION: SEE TABLE
7. THE MIN PCB THICKNESS FOR REAR PLUG-UP APPLICATIONS IS 2.9mm SINCE THE COMPLIANT SECTIONS OF THE GROUND SPRING OF THE HEADER DIRECTLY OPPOSE THE GROUND SPRING OF THE SHROUD.
8. THESE HOLES ARE NEEDED FOR REAR PLUG-UP DESIGNS USING A SHROUD. ALL OTHER HOLES ARE FOR THE HEADER.
9. THE 'SHROUD OUTLINE' IS THE MIN OUTLINE REQUIRED. TO DETERMINE THE OUTLINE NECESSARY TO PERMIT THE VARIOUS TYPES OF REPAIR OPERATIONS, SEE APPLICATION SPECIFICATION GS-20-010.
10. CURRENT RATING: 1 AMP PER PIN
11. TEMPERATURE RANGE: -55°C TO +105°C
12. PRODUCTS WHERE THE PART NUMBERS ENDS IN LF MEET EUROPEAN UNION DIRECTIVES AND OTHER COUNTRY REGULATIONS AS DESCRIBED IN GS-22-008.
13. ALL PRODUCTS WILL WITHSTAND EXPOSURE TO 260°C FOR 60 SECONDS IN A CONVECTION, INFRA-RED OR VAPOR PHASE REFLOW OVEN.  
FOR LEAD FREE PART NUMBERS, ADD 'LF' SUFFIX EXAMPLE: 73993-X01LF

mat'l code SEE NOTE 5				tolerances unless otherwise specified		CUSTOMER		FCI www.fciconnect.com	
ltr	ecm no.	dr	date	linear	0.X ± 0.3	COPY		title	
K					0.XX ± 0.13	projection		VERTICAL SIGNAL HDR SHROUD	
				angles	.XXX ± .051	MM		5 ROW P.F. 30 POS. STANDARD	
				dr	E. KROPER. 2001-09-17	product family		METRAL 1000	
				eng	J. VOLSTORF 2001-09-17	size		213	
				chr	J. VOLSTORF 2001-09-17	scale		73993	
				appd	J. VOLSTORF 2001-09-17	A		sheet 3	
sheet index	revision sheet								

This document is the property of and embodies CONFIDENTIAL and PROPRIETARY information of FCI. No part of the information shown on this document may be used in any way or disclosed without the written consent of FCI. Copyright FCI.