

Excellent Integrated System Limited

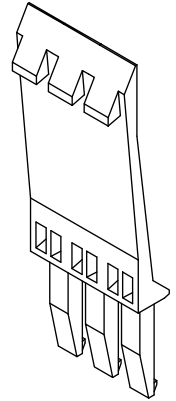
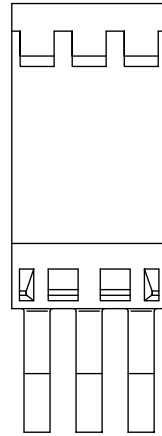
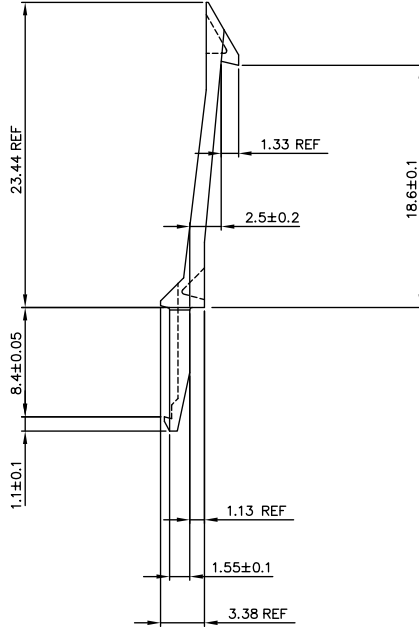
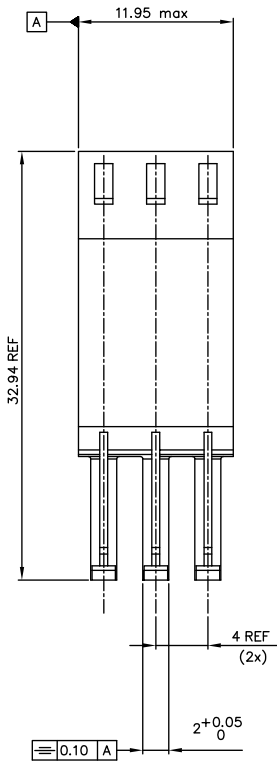
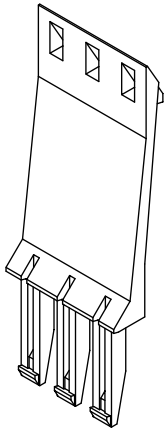
Stocking Distributor

Click to view price, real time Inventory, Delivery & Lifecycle Information:

[FCI](#)
[85992-001LF](#)

For any questions, you can email us directly:
sales@integrated-circuit.com

Partnumber:
85992-001LF



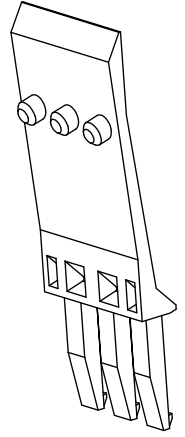
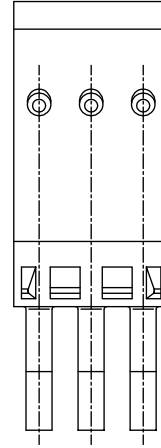
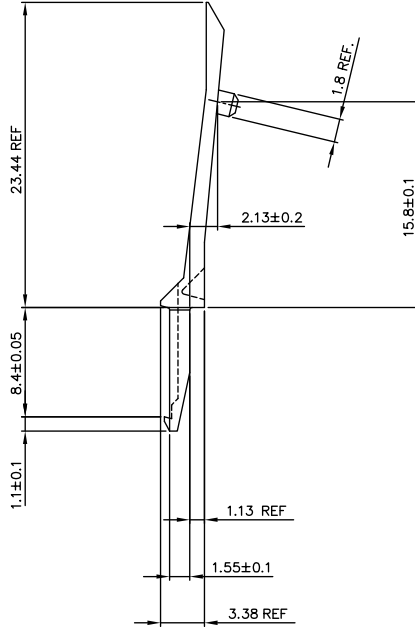
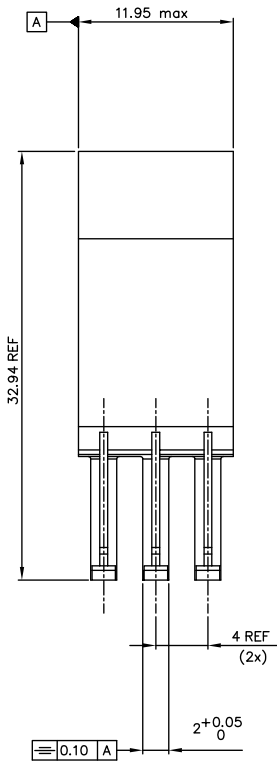
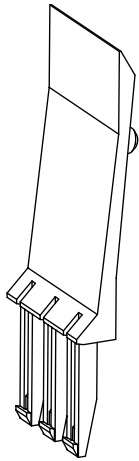
- NOTES:
 1. Material: Glass filled thermoplastic, color black, UL 94 V-0
 2. THIS PRODUCT WITH "LF" SUFFIX MEETS EUROPEAN UNION DIRECTIVES AND OTHER COUNTRY REGULATIONS AS DESCRIBED IN GS -22-008.
 3. THE PRODUCT IS NOT INTENDED TO BE EXPOSED TO A MANUFACTURING SOLDER PROCESS.

mat'l. code	See note 1	tolerances unless otherwise specified	CUSTOMER COPY	FCI ELECTRONICS
itr	ecn no	dr	date	www.fciconnect.com
A	H70123	VMO	970221	linear
B	H70802	VMO	971125	projection
C	H05251	VIE	051221	angles
D	base-004	CUJ	051021	dr
				H v Woensel
				970221
				chr H Coolmans
				970221
				opp H v Woensel
				970221
sheet	revision	D	D	D
index	sheet	1	2	3

PDM - Rev.B STATUS: Released

Printed: May 19, 2014

Partnumber:
85992-002LF



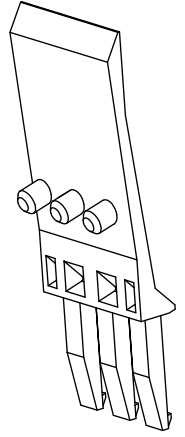
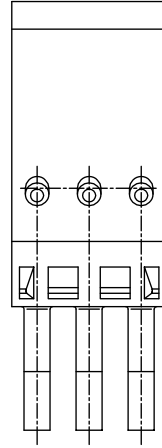
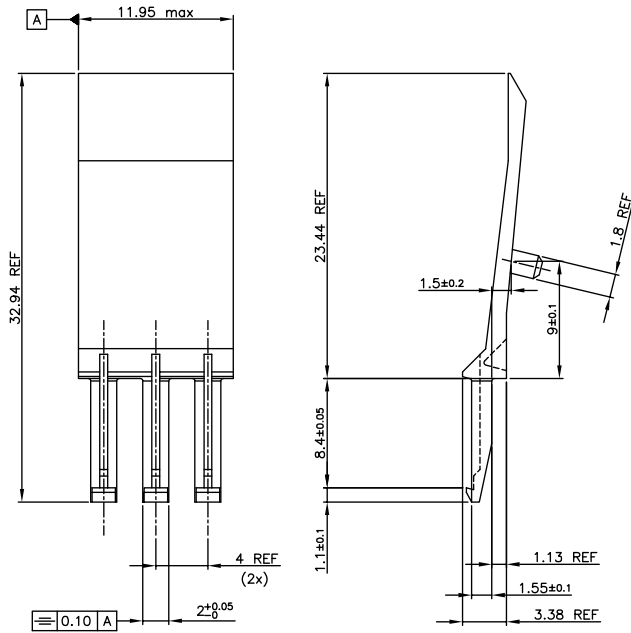
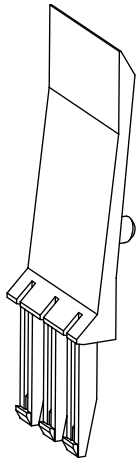
- NOTES:
 1. Material: Glass filled thermoplastic, color black, UL 94 V-0
 2. THIS PRODUCT WITH "LF" SUFFIX MEETS EUROPEAN UNIDIRECTIVES AND OTHER COUNTRY REGULATIONS AS DESCRIBED IN GS -22-008.
 3. THE PRODUCT IS NOT INTENDED TO BE EXPOSED TO A MANUFACTURING SOLDER PROCESS.

mat'l. code	See note 1	tolerances unless otherwise specified	CUSTOMER COPY	FCI ELECTRONICS www.fciconnect.com
itr	ecn	nol	dr	date
d	linear	projection	title: 12 mm LATCH EMI shielded cable connector	
	angles	mm	product family: Metral(tm) code: 213	
	dr	H v Woensel 970221	scale	size: A2
	eng	H v Woensel 970221	5:1	dwg no: 85992
	chr	H v Woensel 970221		sheet: 2 of 2
	app	H v Woensel 970221		
sheet	revision			
index	sheet			

PDM: Rev: D STATUS: Released

Printed: May 19, 2014

Part number
85992-003LF



NOTES:

- 1 Material: Glass filled thermoplastic, color black, UL 94 V-0
2. THIS PRODUCT WITH "LF" SUFFIX MEETS EUROPEAN UNIDIRECTIVES AND OTHER COUNTRY REGULATIONS AS DESCRIBED IN GS -22-008.
3. THE PRODUCT IS NOT INTENDED TO BE EXPOSED TO A MANUFACTURING SOLDER PROCESS.

mat'l. code	See note 1	tolerances unless otherwise specified	CUSTOMER COPY	ELECTRONICS	
itr	ecn no	dr	date	projection	title
		linear		Φ	12 mm LATCH
		angles			EMI shielded cable connector
		dr	VISSCHERS IB 001221	mm	product fami
		eng	W VALST 001221	5:1	Metral(tm)
		chr	W VALST 001221		code
		app	W VALST 001221		85992
sheet	revision			size	dwg no
index	sheet				213
					3 of -

PDM: Rev.D STATUS: Released

Printed: May 19, 2014