

## Excellent Integrated System Limited

Stocking Distributor

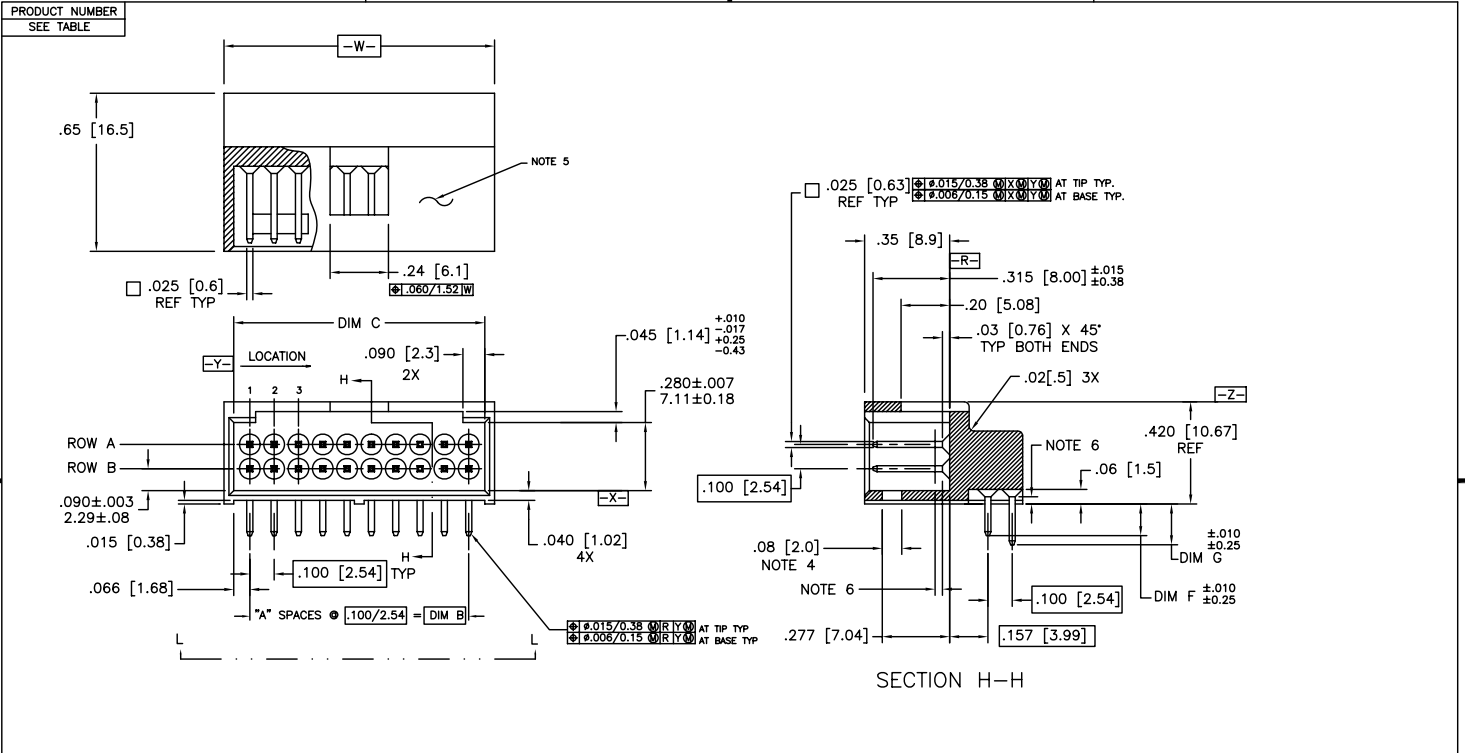
Click to view price, real time Inventory, Delivery & Lifecycle Information:

[FCI](#)  
[68669-007LF](#)

For any questions, you can email us directly:  
[sales@integrated-circuit.com](mailto:sales@integrated-circuit.com)



FCIconnect.com



mat'l. code		surface		tolerance		projection		product family	
		ASME Y14.5		ASME Y14.5		INCH/MM		HEADERS	
ltr	ec'n no	dr	date	tolerances unless otherwise specified		title		R/A HEADER	
C	V05-0719	DAI	9/16/05	angles	XX +01/XX-3	FOR ROUND WIRE RECEPTACLE		sheet 1 of 4 size	
D	N06-0016	DAI	01/23/06	dr	XXX +005/XXX-B	scale 1:1		dwg no 68669	
E	N06-0148	JRV	2006-07-14	0° ±2'	XXX +0020/XXX+051	FCI		type CUSTOMER Drawing	
				engr	H.SUNDY 9/16/05			A4	
				chr	H.SUNDY 9/16/05				
				appd	H. SUNDY 9/16/05				
sheet	revision	E	E	E	E				
index	sheet	1	2	3	4				



FCIconnect.com

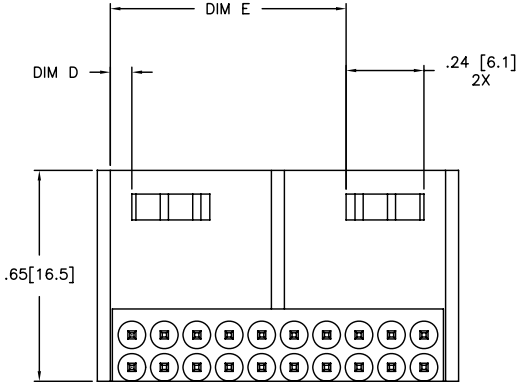
Copyright FCI

1 | 2

3

4

PRODUCT NO.  
SEE TABLE



VIEW G-G

NOTES:

1. TERMINAL MATERIAL: 3/4 HARD PHOS BRONZE ALLOY - UNS-C51000.
2. PLATING: 15μ"/0.38μ PdNi OVER 50μ"/1.27μ Ni
3. MOLDING MATERIAL: GLASS FILLED POLYESTER, FLAME RETARDANT PER UL 94V-0, COLOR - BLACK.  
THIS PRODUCT WILL WITHSTAND 260°C PEAK TEMPERATURE FOR 10 SECONDS IN A WAVE SOLDER PROCESS.
- ④ .02/.5 MAX FLASH AROUND ALL WINDOWS.
- ⑤ COMPANY LOGO MOLDED ON DATUM SURFACE -Z-, APPROXIMATELY AS SHOWN.
- ⑥ .03/.8 MAX FLASH PERMISSIBLE ON PINS, BOTH ENDS.
7. PALLADIUM PLATED PRODUCT HAS GOLD FLASH.
8. OTHER PLATINGS ARE AVAILABLE ON 68667, 68668, AND 68670.
- ⑨ ADD SUFFIX LF TO END OF PART NUMBER FOR LEAD FREE OPTION.  
EXAMPLE: 68669-001LF
10. THIS PRODUCT MEETS EUROPEAN UNION DIRECTIVES AND OTHER COUNTRY REGULATIONS AS DESCRIBED IN GS-22-008.

mat'l. code		surface		tolerance		projection		product family		
-		ASME Y14.5		ASME Y14.5				HEADERS		
ltr	ecn no	dr	date	tolerances unless otherwise specified				title		
E				angles	XX ±01/XX±3	INCH/MM		R/A HEADER		
				0° ±2'	XXX ±005/XXX±B	scale 1:1		FOR ROUND WIRE RECEPTACLE		
				dr	D.INGRAM 9/16/05			dwg no		
				engr	S.SUNDY 9/16/05			sheet 2 of		size
				chr	H.SUNDY 9/16/05			68669		A4
				appd	H.SUNDY 9/16/05			type		CUSTOMER Drawing
sheet index	revision sheet									

form: A4mmXLC

1

2

3

4

PDS: Rev:E

**PDM: Rev:E** Printed: STATUS: **Released**

Printed: Nov 06, 2006



FCIconnect.com

Copyright FCI

PRODUCT NO.	NO OF POS	NO OF	POLARIZED POSITIONS	A SPACES	DIM B	DIM C	DIM D	DIM E	DIM F	DIMG	LF OPTION
68669-001	6	6	----	2	.200/5.08	.332/8.43	.066/1.68	----	.130/3.30	.130/3.30	NOTE 9
-002	8	8	----	3	.300/7.62	.432/10.97	.066/1.68	----			
-003	10	10	----	4	.400/10.16	.532/13.52	.166/4.22	----			
-004	12	12	----	5	.500/12.70	.632/16.05	.166/4.22	----			
-005	14	14	----	6	.600/15.24	.732/18.59	.266/6.76	----			
-006	16	16	----	7	.700/17.78	.872/21.13	.226/6.76	----			
-007	18	18	----	8	.800/20.32	.932/23.67	.366/9.30	----			
-008	20	20	----	9	.900/22.86	1.032/26.21	.066/1.68	.766/19.46			
-009	22	22	----	10	1.000/25.40	1.132/28.75		.866/22.00			
-010	24	24	----	11	1.100/27.94	1.232/31.29		.966/24.54			
-011	26	26	----	12	1.200/30.48	1.332/33.83		1.066/27.08			
-012	28	28	----	13	1.300/33.02	1.432/36.37		1.166/29.62			
-013	30	30	----	14	1.400/35.56	1.532/38.91		1.266/32.16			
-014	32	32	----	15	1.500/38.10	1.632/41.45		1.366/34.70			
-015	34	34	----	16	1.600/40.64	1.732/43.99		1.466/37.24			
-016	36	36	----	17	1.700/43.18	1.832/46.53		1.566/39.78			
-017	38	38	----	18	1.800/45.72	1.932/49.07		1.666/42.32			
-018	40	40	----	19	1.900/48.26	2.032/51.61		1.766/44.86			
-019	42	42	----	20	2.000/50.80	2.132/54.15		1.866/47.40			
-020	44	44	----	21	2.100/53.34	2.232/56.69		1.966/49.94			
-021	46	46	----	22	2.200/55.88	2.323/59.23		2.066/52.48			
-022	48	48	----	23	2.300/58.42	2.432/61.77		2.166/55.02			
-023	50	50	----	24	2.400/60.96	2.532/64.31		2.266/57.56			
-024	52	52	----	25	2.500/63.50	2.632/66.85		2.366/60.10			
-025	54	54	----	26	2.600/66.04	2.732/69.39		2.466/62.64			
-026	56	56	----	27	2.700/68.58	2.832/71.93		2.566/65.18			
-027	58	58	----	28	2.800/71.12	2.932/74.47		2.666/67.20			
-028	60	60	----	29	2.900/73.66	3.032/77.01		2.766/70.26			
-029	62	62	----	30	3.000/76.20	3.132/79.55		2.866/72.80			
-030	64	64	----	31	3.100/78.74	3.232/82.09		2.966/75.34			
-031	66	66	----	32	3.200/81.28	3.332/84.63		3.066/77.88			
-032	68	68	----	33	3.300/83.82	3.432/87.17		3.166/80.42			
-033	70	70	----	34	3.400/86.36	3.532/89.71		3.266/82.96			
-034	72	72	----	35	3.500/88.90	3.632/92.25		3.366/85.50	.130/3.30	.130/3.30	
-035	6	6	----	2	.200/5.08	.332/8.43			.200/5.08	.200/5.08	
68669-036	8	8	----	3	.300/7.62	.432/10.97	.066/1.68	----	.200/5.08	.200/5.08	NOTE 9

mat'l. code	surface	tolerance	projection	product family
litr	ASME Y14.5	ASME Y14.5		HEADERS
ecn no	tolerances unless otherwise specified			title
dr	XX ±01/XX±3			R/A HEADER
date	XXX ±005/XX±B		INCH/MM	FOR ROUND WIRE RECEPTACLE
	0° ±2'	XXX ±0020/XXX±051	scale 1:1	sheet 3 of
	dr	D.INGRAM		size
	engr	S.SUNDY		A4
	chr	H.SUNDY		68669
	appd	H.SUNDY		type
sheet	revision			CUSTOMER Drawing
index	sheet			



FCIconnect.com

Copyright FCI

PRODUCT NO.	NO OF POS	NO OF	POLARIZED POSITIONS	A SPACES	DIM B	DIM C	DIM D	DIM E	DIM F	DIM G	LF OPTION
68669-037	10	10	----	4	.400/10.16	.532/13.52	.166/4.22	----	.200/5.08	.200/5.08	NOTE 9
-038	12	12	----	5	.500/12.70	.632/16.05	.166/4.22	----			
-039	14	14	----	6	.600/15.24	.732/18.59	.266/6.76	----			
-040	16	16	----	7	.700/17.78	.832/21.13	.266/6.76	----			
-041	18	18	----	8	.800/20.32	.932/23.67	.366/9.30	----			
-042	20	20	----	9	.900/22.86	1.032/26.21	.066/1.68	.766/19.46			
-043	22	22	----	10	1.000/25.40	1.132/28.75		.866/22.00			
-044	24	24	----	11	1.100/27.94	1.232/31.29		.966/24.54			
-045	26	26	----	12	1.200/30.48	1.332/33.83		1.066/27.08			
-046	28	28	----	13	1.300/33.02	1.432/36.37		1.166/29.62			
-047	30	30	----	14	1.400/35.56	1.532/38.91		1.266/32.16			
-048	32	32	----	15	1.500/38.10	1.632/41.45		1.366/34.70			
-049	34	34	----	16	1.600/40.64	1.732/43.99		1.466/37.24			
-050	36	36	----	17	1.700/43.18	1.832/46.53		1.566/39.78			
-051	38	38	----	18	1.800/45.72	1.932/49.07		1.666/42.32			
-052	40	40	----	19	1.900/48.26	2.032/51.61		1.766/44.86			
-053	42	42	----	20	2.000/50.80	2.132/54.15		1.866/47.40			
-054	44	44	----	21	2.100/53.34	2.232/56.69		1.966/49.94			
-055	46	46	----	22	2.200/55.88	2.323/59.23		2.066/52.48			
-056	48	48	----	23	2.300/58.42	2.432/61.77		2.166/55.02			
-057	50	50	----	24	2.400/60.96	2.532/64.31		2.266/57.56			
-058	52	52	----	25	2.500/63.50	2.632/66.85		2.366/60.10			
-059	54	54	----	26	2.600/66.04	2.732/69.39		2.466/62.64			
-060	56	56	----	27	2.700/68.58	2.832/71.93		2.566/65.18			
-061	58	58	----	28	2.800/71.12	2.932/74.47		2.666/67.20			
-062	60	60	----	29	2.900/73.66	3.032/77.01		2.766/70.26			
-063	62	62	----	30	3.000/76.20	3.132/79.55		2.866/72.80			
-064	64	64	----	31	3.100/78.74	3.232/82.09		2.966/75.34			
-065	66	66	----	32	3.200/81.28	3.332/84.63		3.066/77.88			
-066	68	68	----	33	3.300/83.82	3.432/87.17		3.166/80.42			
-067	70	70	----	34	3.400/86.36	3.532/89.71		3.266/82.96			
-068	72	72	----	35	3.500/88.90	3.632/92.25		3.366/85.50	.200/5.08	.200/5.08	
-069	8	4	A-2,3 B-2,3	3	.300/7.62	.432/10.97		----	.130/3.30	.130/3.30	
-070	50	50	----	24	2.400/60.96	2.532/64.31		2.266/57.56	.155/3.94	.235/5.97	
-071	8	6	A-2 B-2	3	.300/7.62	.432/10.97	.066/1.68	----	.130/3.30	.130/3.30	NOTE 9

mat'l. code	surface	tolerance	projection	product family
litr	ASME Y14.5	ASME Y14.5	INCH/MM	HEADERS
ecn no	tolerance unless otherwise specified	XX ±01/XX±3	scale	title
dr	angles	XXX ±005/XX±B	1:1	R/A HEADER
	0° ±2'	XXXX ±0020/XXX±051		FOR ROUND WIRE RECEPTACLE
	dr	D.INGRAM		sheet 4 of
	engr	S.SUNDY		size
	chr	H.SUNDY		A4
	appd	H.SUNDY		type
sheet index	revision sheet			CUSTOMER Drawing