

Excellent Integrated System Limited

Stocking Distributor

Click to view price, real time Inventory, Delivery & Lifecycle Information:

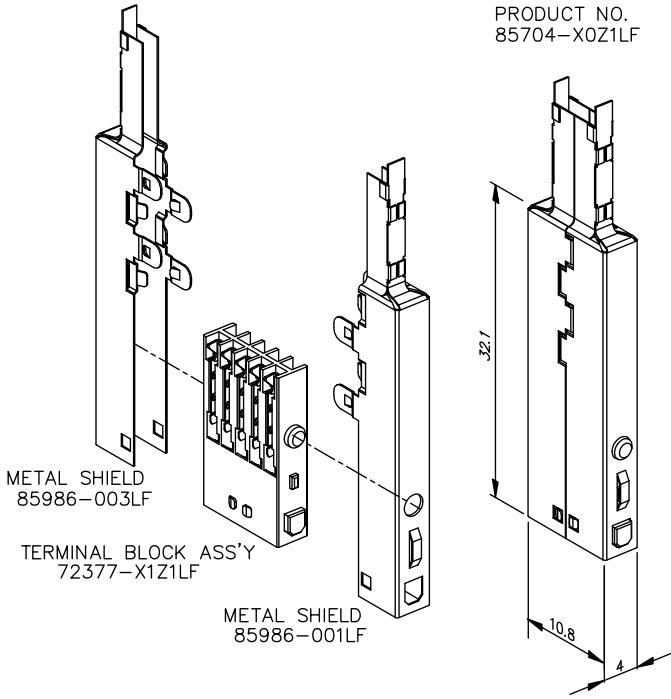
[FCI](#)
[85704-2111LF](#)

For any questions, you can email us directly:
sales@integrated-circuit.com

PRODUCT NUMBER:
85704-XYZ1LF

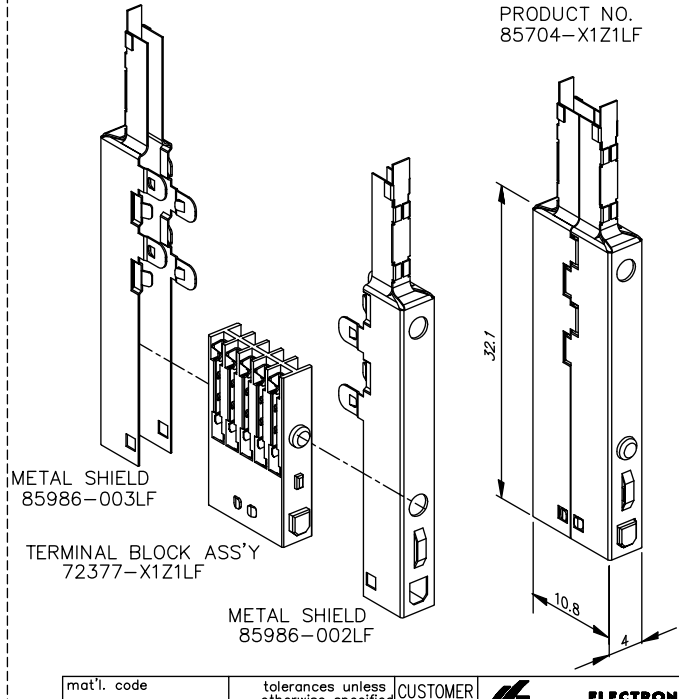
HEAT SHRINK VERSION

PRODUCT NO.
85704-XOZ1LF



HEAT SHRINK VERSION

PRODUCT NO.
85704-X1Z1LF



mat'l. code		tolerances unless otherwise specified		CUSTOMER COPY		FCI ELECTRONICS www.fciconnect.com	
ltr	ecr no	dr	date	linear	projection	title 5x2 Shielded CABLE CONNECTOR KIT	
A	H80084	VW0	980205		mm	product fami	Metral(tm)
B	pc05-0438	Clu	051103	angles		size	dwg no
				dr	H v Woensel	971016	
				eng	H v Woensel	971016	
				chr	H Cooljans	980205	
				app	H v Woensel	980205	
sheet index	revision sheet	B	B	1	2	scale	1:1
						A3	85704
							sheet 1 of 2

PDM: Rev:B

STATUS: Released

Printed: Jul 29, 2060

All rights are reserved. Reproduction or use in any form without written permission is prohibited. Property of FCI b.v. © FCI b.v.

PRODUCT NUMBER:
85704-XYZ1LF

NOTES:

- SEE APPLICATION SPECIFICATION GES-20-003 FOR INSTRUCTIONS ON WIRE INSERTION AND ASSEMBLY OF COMPONENTS FOR CONNECTORS
- PLUGS INTO SHIELDED HEADERS 72031, 72032, SHROUDS 72033 AND 72034.
- MAXIMUM SHEATH DIAMETER: 4 mm.
MAXIMUM DIAMETER OVER BRAID: 4 mm
- THIS PRODUCT MEETS EUROPEAN UNION DIRECTIVES AND OTHER COUNTRY REGULATIONS AS DESCRIBED IN GS-22-008 .
- THE PRODUCT IS NOT INTENDED TO BE EXPOSED TO A MANUFACTURING SOLDER PROCESS.

MATERIAL:

TERMINAL BLOCKS: GLASS FILLED 612
 POLYAMIDE (UL 94 V-0)
CONTACTS:
 PHOSPHOR BRONZE
 SOLDER FINISH ON IDC DIMPLES

ORDERING INFORMATION FOR KITS:

ORDER KITS 85704-XYZ1LF WHERE
 PLATING IN CONTACT AREA:

- X=1 FOR 0.8 μ m GOLD
- X=2 FOR 2.0 μ m GOLD
- X=3 FOR 1.3 μ m GOLD
- X=9 FOR 0.8 μ m GXT™

LATCH TYPE:

- Y=0 HEAT SHRINK VERSION FOR USE WITH LATCH 85991-001LF OR 85992-001LF
- Y=1 HEAT SHRINK VERSION FOR USE WITH LATCH 85991-002LF OR 85992-002LF.

COPPER WIRE SIZE:

- Z=1 FOR 0.40 - 0.51 mm DIA (26 TO 24 AWG)
- Z=2 FOR 0.25 - 0.32 mm DIA (30 TO 28 AWG)

mat'l. code		tolerances unless otherwise specified		CUSTOMER COPY	FCI ELECTRONICS www.fciconnect.com	
ltr	ecr no	dr	date	linear	projection 	title 5x2 Shielded CABLE CONNECTOR KIT
B						
				angles	mm	product fami Metral(tm)
				dr		
				eng	H v Woensel 971016	size dwg no
				chr	H Cooljmans 980205	A3 85704
				app	H v Woensel 980205	
sheet index	revision sheet			scale 1:1		

PDM: Rev:B

STATUS **Released**

Printed: Jul 29, 2060

Tous droits réservés. Reproduction ou communication sans autorisation écrite de FCI B.V. est formellement interdite sans autorisation écrite de FCI B.V.

All rights reserved. Reproduction or communication without written authority from FCI B.V. is not permitted.