

Excellent Integrated System Limited

Stocking Distributor

Click to view price, real time Inventory, Delivery & Lifecycle Information:

[FCI](#)
[863009ATLF](#)

For any questions, you can email us directly:

sales@integrated-circuit.com

Copyright FCI.

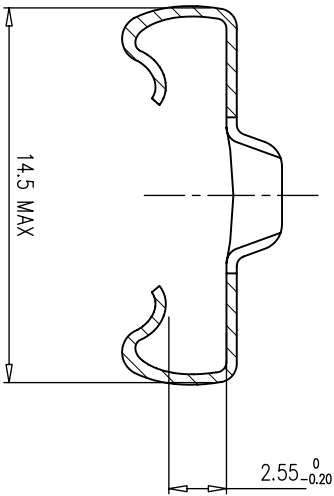
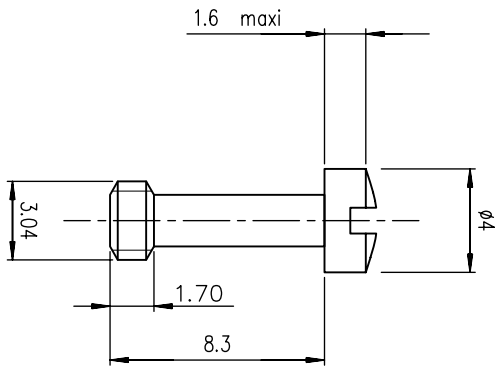


D

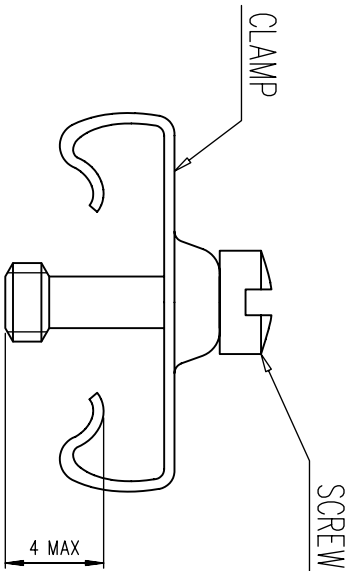
C

B

A



NOTES
 Pieces assembly
 Packaging : per 100 piece
 Material : steel
 Plating : tin .
 Thread : UNC 4.40



VIEW ASSEMBLY

Part number **863009ATLF**

European Views

NOTE: RoHS INFORMATIONS

- The "LF" products meet European union Directives and other country regulations as described in GS-22-008.
- Plating Sn (pure bright) over copper
- Packaging spec: see GS-14-920

rev	ecn no	dr	date
A	-	JAR	1999/07/05
B	LS05-0026	MPE	2005/07/08
C	LS06-0097	LCO	2006/07/28
D	LS09-0006	PKR	2009/01/08
E	ELX-H-01686	PK	2012/05/09
F	ELX-H-01686	PK	2012/05/21

www.fciconnect.com		surface	ISO 1302	tolerance std	ISO 406 ISO 1101	projection	mm
Dr	JARRY	ANGULAR	✓	0.X	±0.1	size	A3
Eng	PESSON	LINEAR		0.XX	±0.1	Scale	5
Chr	LEGARE	0.XX' ±2		0.XXX	±0.1	ECN	ELX-H-011686
Apr	LEGARE	Product family				Spec ref	-
MALE SCREW LOCKS		D-SUB		Spec ref -			
9 a 37 pts (P et S)		CUSTOMER		sheet 1 of 1			
C01-8655-0713		Rev.		F			

REV F - 2008-04-17

1

2

3

4

1

2

3

4