

## Excellent Integrated System Limited

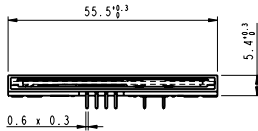
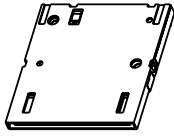
Stocking Distributor

Click to view price, real time Inventory, Delivery & Lifecycle Information:

[FCI](#)  
[7431E0525S01LF](#)

For any questions, you can email us directly:  
[sales@integrated-circuit.com](mailto:sales@integrated-circuit.com)

PART NUMBER	LEAD FREE VERSION
7431E0525S01	7431E0525S01LF



**GENERAL :**  
 High cycle life duration smart card connector with landing type contacts mechanism. The landing type connector also provides the feature of recessed contacts when card is not inserted which protects them against vandalism.  
 Smart card for reference purposes only.

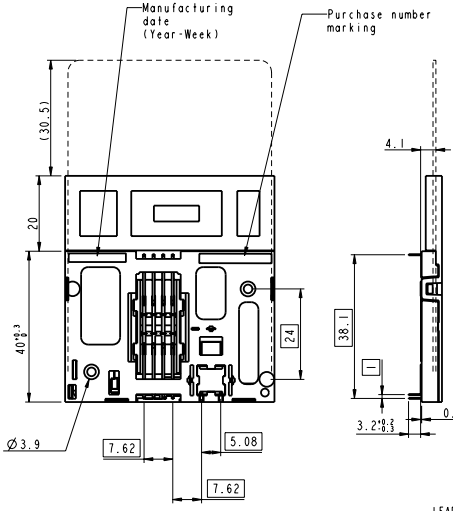
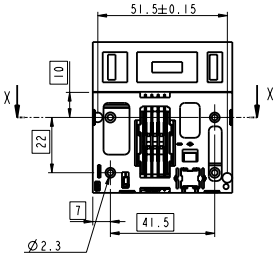
**ELECTRICAL PROPERTIES :**  
 Insulation resistance : > 1000MΩ  
 Dielectric withstanding voltage : > 250 Vrms  
 Current carrying capacity : Min 10GA, Max 1A  
 Contact resistance : < 100mΩ

**MECHANICAL PROPERTIES :**  
 Operating force : Insertion : F < 10N  
 Withdrawal : 1 < F < 10N  
 Contact Normal force : 0.2 < F < 0.3 for 0.6mm of deflection  
 Durability : 200 000 mating cycles

**MATERIAL :**  
 Head reader : Thermoplastic, Colour Grey, Rated UL94V0  
 Cover : Thermoplastic, Colour Black, Rated UL94V0  
 Contacts : Copper alloy,  
 Plating : Gold over Ni or equivalent on contact area  
 SnPb over Ni on solder leads (FOR LEADED VERSION)  
 Matte tin over Ni on solder leads (FOR LEAD FREE VERSION)

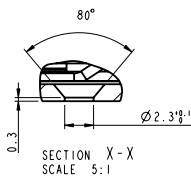
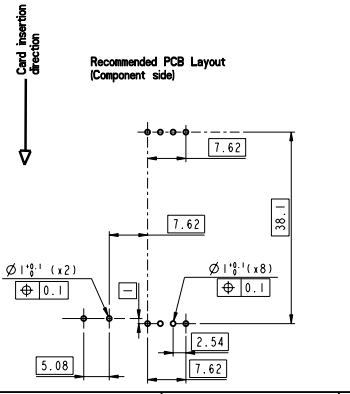
**ENVIRONMENT :**  
 Operating temperature : -40°C / +85°C  
 Climatic conditions : UTE 93-421

**PACKAGING :**  
 Plastic cavity tray



**LEAD FREE VERSION:**  
 "This product meets European Union Directives and other country regulations as described in GS-22-008"  
 The housing will withstand exposure to 260°C peak temperature for 3-5 seconds in a wave solder application with a 1.6mm minimum thick circuit board.

Recommended PCB Layout (Component side)



www.fciconnect.com		surface	tolerance std	projection	mm
		150 1302	150 406 150 1101		
		TOLERANCES UNLESS OTHERWISE SPECIFIED			
Dr	D. LEGRAND	2002/04/29	ANGULAR	0.10	M
Eng	F. TISSERAND	2002/04/29	LINEAR	0.10	M
Chr	S.S. CHERIAM	2009/01/24	0.10	M	ECN 109-0013
Appr	S.S. CHERIAM	2009/01/24	Product family	-	Spec ref
General Tolerances		D	105-0176	NT	2005/09/29
0 to 10mm	±0.10mm	E	105-0078	DTA	2004/06/19
10 to 30mm	±0.15mm	F	109-0013	SSC	2009/01/24
30 to 60mm	±0.20mm				
60 and more	±0.30mm				
FCI		E05 WITHOUT PEG		VJWS3908	Rev. F
catalog no				Sheet 1 of 1	