

Excellent Integrated System Limited

Stocking Distributor

Click to view price, real time Inventory, Delivery & Lifecycle Information:

[FCI](#)
[83808-22111S](#)

For any questions, you can email us directly:
sales@integrated-circuit.com

1 2

BASIC PART NUMBER: 83808- X X X X X X X

CARD TYPE: I
 CARD TYPE: II

I/O: CLOSED WITH GROUND CONTACT
 I/O: 1 CONNECTOR
 I/O: 2 CONNECTORS

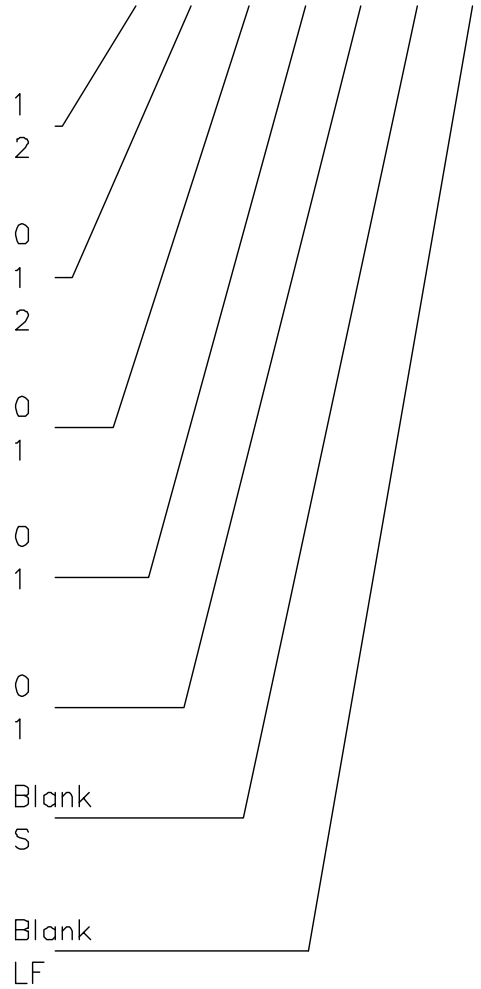
LABEL RECESS: NO
 LABEL RECESS: YES

INSULATOR: NO
 INSULATOR: YES

CARDBUS: NO
 CARDBUS: YES

PACKAGING: 1000Pcs/BOX
 PACKAGING: 200Pcs/BOX

ALL PART NUMBER: RoHS COMPLIANT
 SPECIFICATION



83808-XXXXXX IS SIMILAR TO 83808-XXXXXXLF, THE SUFFIX "LF" IS ADDED FOR LEAD FREE IDENTIFICATION
 THIS PRODUCT MEETS EUROPEAN UNION DIRECTIVES AND OTHER COUNTRY REGULATIONS AS PER GS-22-008. PACKAGING SPECIFICATION GS-14-920

PROPERTIES:

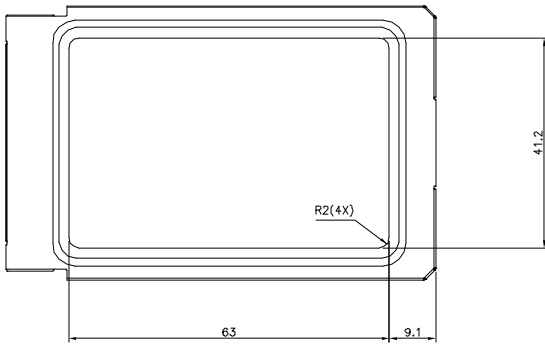
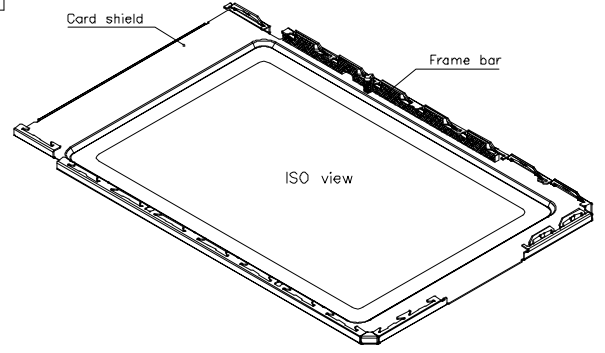
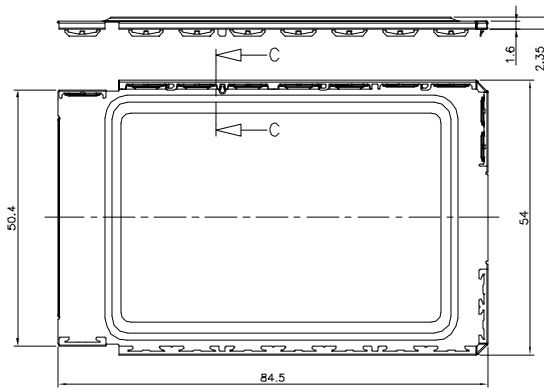
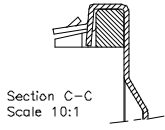
CARD SHIELD: STAINLESS STEEL, THICKNESS 0.2mm
 SURFACE FINISH: MATTE
 FRAME BAR: PPO, COLOR BLACK, UL94V-0
 INSULATOR: DIELECTRIC STRENGTH 2500V

mat'l. code				surface ISO 1302 <input checked="" type="checkbox"/>		tolerance ISO 406 ISO 1101		projection 		product family PCMCIA			
ltr	ecn no	dr	date	tolerances unless otherwise specified		angles linear				title ROCARD SHIELD			
H	F10514	DLE	01.09.07										
J	F05-0254	DLE	05.09.26					scale 1:1					
K	F06-0138	DLE	06.02.27										
L	F06-0138	DLE	06.02.27	dr	D LEGRAND	01.09.07				dwg no		sheet 1 of 10	size
M	F06-0248	DLE	06.07.28	engr	F HAUTIER	99.04.29				83808		A4	
				chr	D LEGRAND	99.04.29							
G	F00439	DLE	00.06.19	app	F HAUTIER	99.04.29				type CUSTOMER Drawing			
sheet	revision	M	G	G	G	G	G	F	F	F	F		
index	sheet	1	2	3	4	5	6	7	8	9	10		

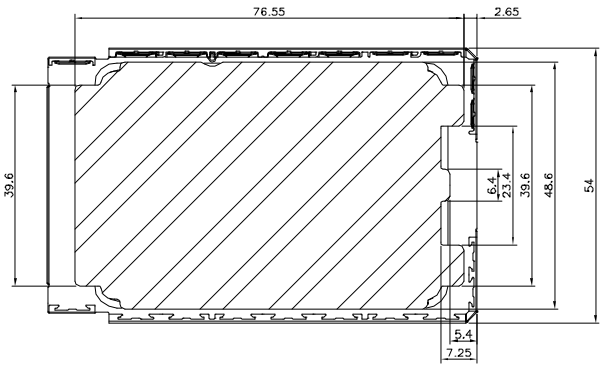


Copyright FCI

Product number	Insulator	Label recess	Product number	Packaging
83808-21000LF	no	no	83808-xxxxxLF	1000 Rocard Shield/Box
83808-21010LF	yes	no	83808-xxxxxSLF	200 Rocard Shield/Box
83808-21100LF	no	yes		
83808-21110LF	yes	yes		



Version: Label recess
(maximum label thickness 0.07 mm)

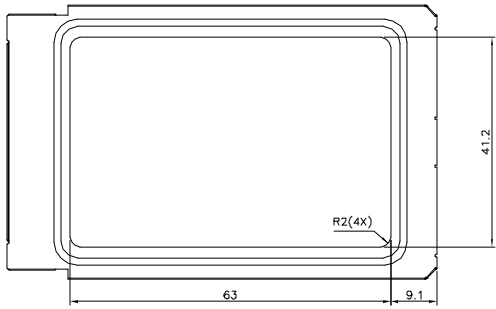
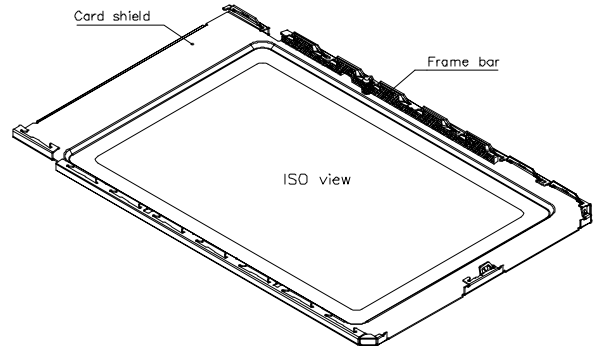
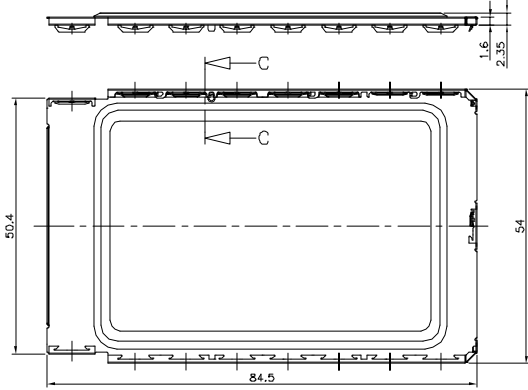


Version: Insulator
(thickness 0.07 mm)

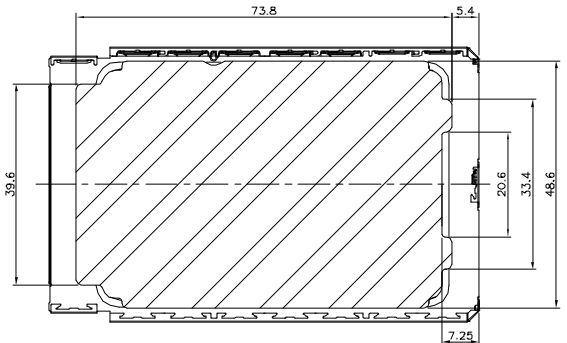
mat'l code	surface	tolerance	projection	product family
litr	ISO 1502	80 48 08 mm	mm	PCMCIA
A	H80049	CCA 98.02.12	mm	ROCARD SHIELD
B	F80195	OCA 98.04.08	mm	TYPE II, 1x1/0
C	F80393	DLE 99.05.04	mm	83808
D	F10514	DLE 01.09.07	mm	CUSTOMER Drawing
E	F05-0254	DLE 05.09.26	mm	
F	F08-0138	DLE 06.02.27	mm	
G	F08-0248	DLE 06.07.28	mm	
sheet index	revision sheet			

Product number	Insulator	Label recess	Product number	Packaging
83808-2200LF	no	no	83808-xxxxLF	1000 Rocard Shield/Box
83808-2201LF	yes	no	83808-xxxxSLF	200 Rocard Shield/Box
83808-2210LF	no	yes		
83808-2211LF	yes	yes		

Section C-C
Scale 10:1



Version: Label recess
(maximum label thickness 0.07 mm)



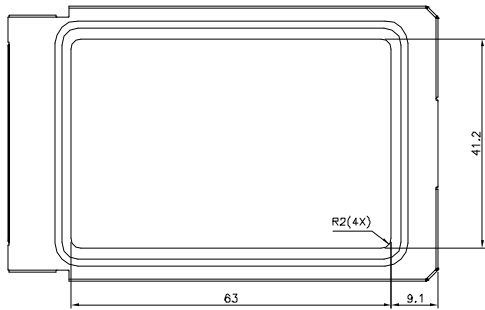
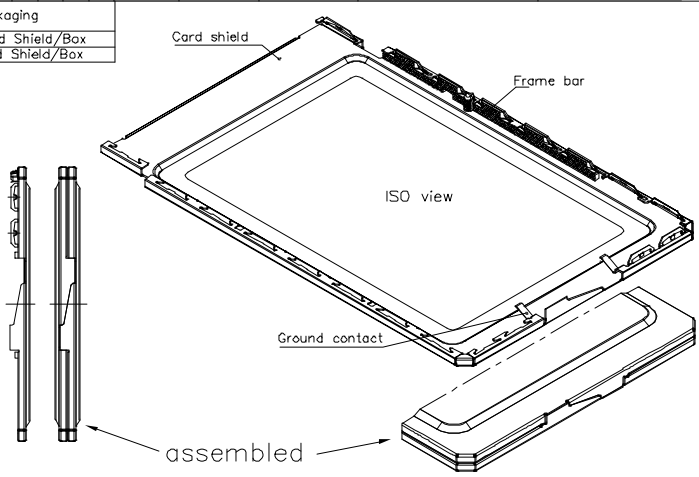
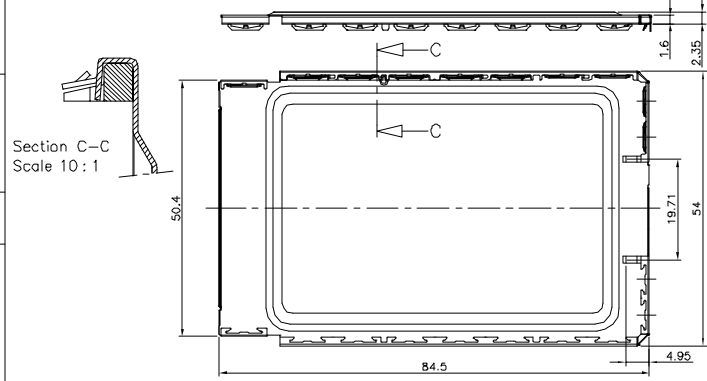
Version: Insulator
(thickness 0.07 mm)

mat'l code	surface	tolerance	projection	product family
ISO 1592	ISO 1592	80 48 08 00		PCMCIA
litr	acn	acn	dr	date
A	H80049	CCA	98.02.12	
B	F80195	OCA	98.04.08	
C	F80393	DLE	99.05.04	
D	F10514	DLE	01.09.07	H VEREMEN 98.02.12
E	F05-0254	DLE	05.09.26	F HALPIER 99.05.04
F	F08-0138	DLE	06.02.27	D LEHRAND 99.05.04
G	F08-0248	DLE	06.07.28	F HALPIER 99.05.04
sheet	revision	sheet	index	

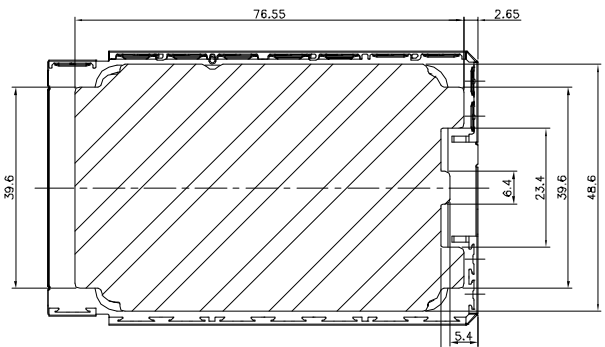
product family
PCMCIA
Title
ROCARD SHIELD
TYPE II, 2x1/0
dwg no
83808
sheet 3 of 4
A2
type
CUSTOMER Drawing

Product number	Insulator	Label recess
83808-20000LF	no	no
83808-20010LF	yes	no
83808-20100LF	no	yes
83808-20110LF	yes	yes

Product number	Packaging
83808-xxxxxLF	1000 Rocard Shield/Box
83808-xxxxxSLF	200 Rocard Shield/Box



Version: Label recess
(maximum label thickness 0.07 mm)

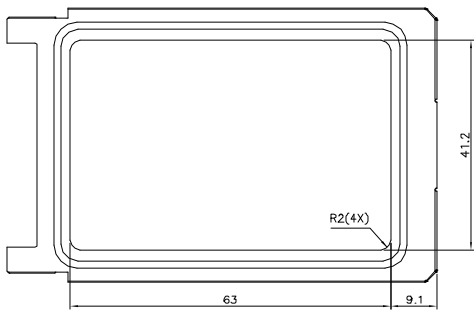
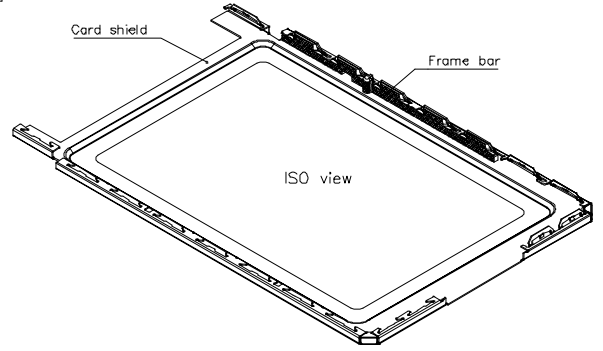
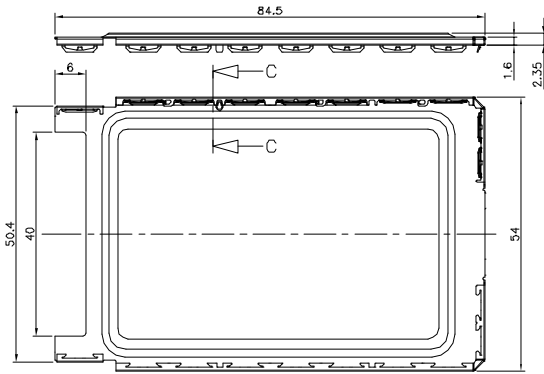
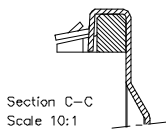


Version: Insulator
(thickness 0.07 mm)

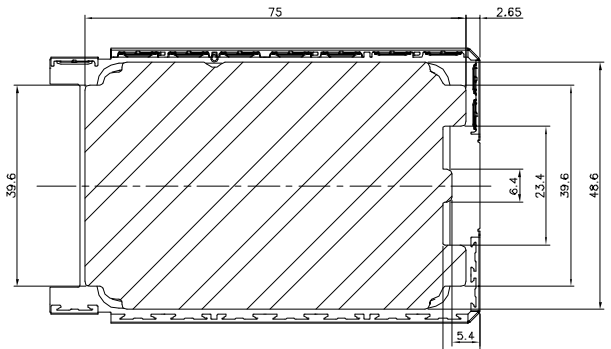
mat'l code	surface	tolerance	projection	product family
lit	ISO 1502	ISO 416 ISO 701	mm	PCMCIA
A	H80049 CCA 98.02.12	tolerance unless otherwise specified	mm	title
B	F80195 OCA 98.04.08	Lineart	mm	ROCARD SHIELD
C	F80393 DLE 99.05.04	mm	mm	TYPE II, CLOSED END
D	F10514 DLE 01.09.07	mm	mm	scale: 2:1
E	F05-0254 DLE 05.09.26	H VEREMEN 98.02.12	mm	dwg no
F	F08-0138 DLE 06.02.27	F HALPIER 99.05.04	mm	83808
G	F08-0148 DLE 06.02.27	D LEHRAND 99.05.04	mm	sheet 4 of 4
H	F08-0148 DLE 06.02.27	F HALPIER 99.05.04	mm	A2
sheet	revision	sheet	index	type
index	sheet	index	sheet	CUSTOMER Drawing

Product number	Insulator	Label recess
83808-21001LF	no	no
83808-21011LF	yes	no
83808-21101LF	no	yes
83808-21111LF	yes	yes

Product number	Packaging
83808-xxxxxLF	1000 Rocard Shield/Box
83808-xxxxxSLF	200 Rocard Shield/Box



Version: Label recess
(maximum label thickness 0.07 mm)

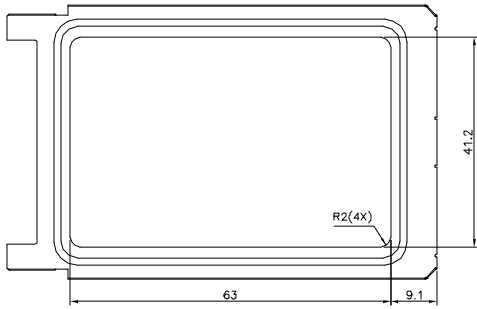
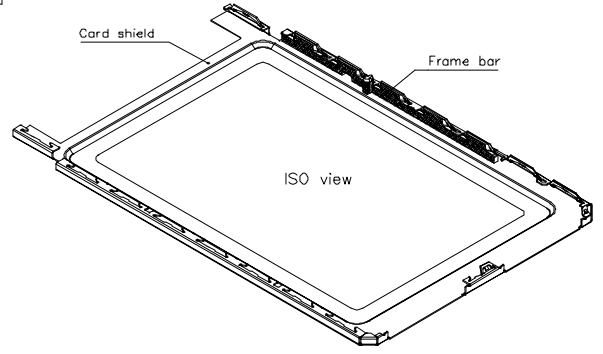
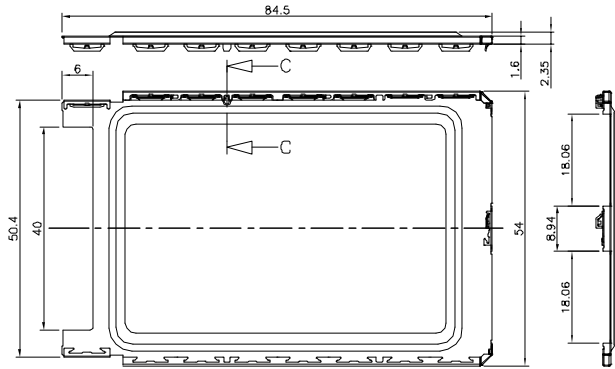
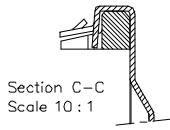


Version: Insulator
(thickness 0.07 mm)

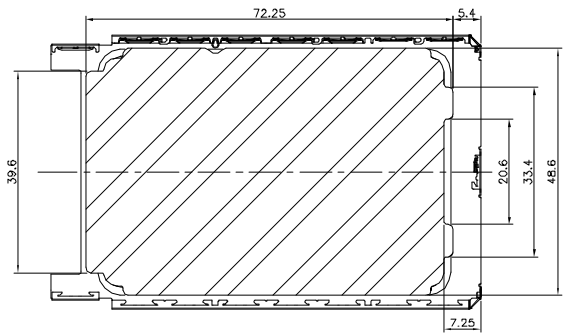
mat'l code	surface	tolerance	projection	product family					
ISO 1592	ISO 1592	80 48 08 701		PCMCIA					
litr	ctrl	ac	dr	date	insulator	release	alter	specify	title
A	H80049	CCA	98.02.12	single	Lineart	mm	state 2:1		ROCARD SHIELD
B	F80195	OCA	98.04.08						TYPEII,1x1/0,CARDBUS
C	F80393	DLE	99.05.04						dwg no
D	F10514	DLE	01.09.07	DR	H VEREMEN	98.02.12			83808
E	F05-0254	DLE	05.09.26	PMGR	F HALPIER	99.05.04			sheet 5 of - 1 size
F	F08-0138	DLE	06.02.27	EBT	D LEGRAND	99.05.04			A2
G	F05-0248	DLE	06.07.28	IGR	F HALPIER	99.05.04			type
									CUSTOMER Drawing
sheet	revision	index	sheet						

Product number	Insulator	Label recess
83808-22001LF	no	no
83808-22011LF	yes	no
83808-22101LF	no	yes
83808-22111LF	yes	yes

Product number	Packaging
83808-xxxxxLF	1000 Rocard Shield/Box
83808-xxxxxSLF	200 Rocard Shield/Box



Version: Label recess
(maximum label thickness 0.07 mm)



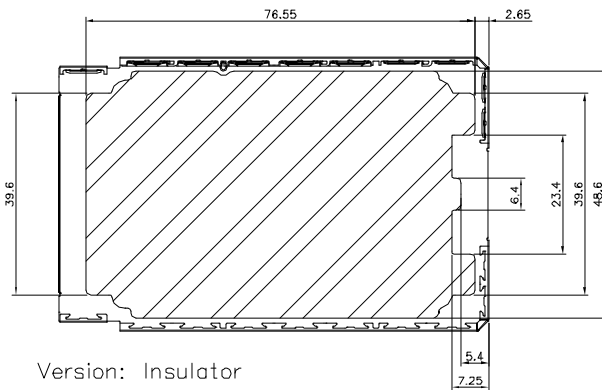
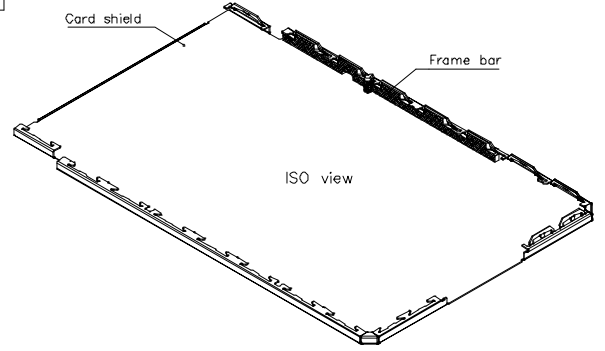
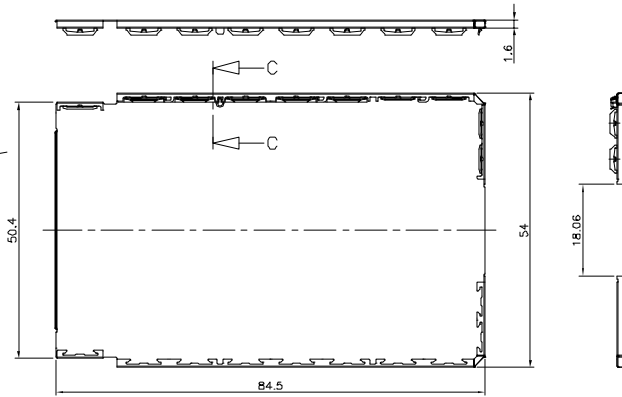
Version: Insulator
(thickness 0.07 mm)

mat'l code	surface	tolerance	projection	product family
lit	ISO 1502	80 48 08 701		PCMCIA
A	H80049	CCA 98.02.12	mm	title
B	F80195	OCA 98.04.08	mm	ROCARD SHIELD
C	F80393	DLE 99.05.04	mm	TYPE II,2xI/O,CARDBUS
D	F10514	DLE 01.09.07	mm	scale: 2:1
E	F05-0254	DLE 05.09.26	mm	stage: 2:1
F	F08-0138	DLE 06.02.27	mm	dwg no
G	F08-0248	DLE 06.07.28	mm	83808
sheet index	revision sheet			type
				CUSTOMER Drawing

Product number	Insulator
83808-11000LF	no
83808-11010LF	yes

Product number	Packaging
83808-xxxxxLF	1000 Rocard Shield/Box
83808-xxxxxSLF	200 Rocard Shield/Box

Section C-C
Scale 10:1



Version: Insulator
(thickness 0.07 mm)

mat'l code	surface	tolerance	projection	product family
ISO 1592	ISO 1592	ISO 1592	ISO 1592	PCMCIA
lit	ctrl	no	dr	date
A	F80195	CCA	98.04.08	
B	F80323	DLE	99.06.01	
C	F10514	DLE	01.09.07	
D	F08-024	DLE	05.09.26	DR
E	F08-0138	DLE	06.02.27	MPG
F	F08-0248	DLE	06.07.28	DR
		DR		F HALPER
		DR		D LEHRAND
		DR		F HALPER
		DR		99.05.04
sheet	revision	index	sheet	

title
ROCARD SHIELD
TYPE I, 1x1/0

dwg no
83808

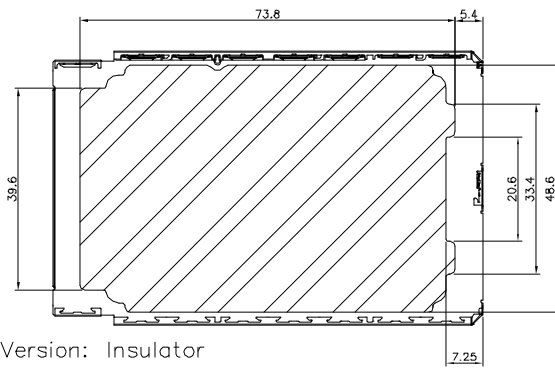
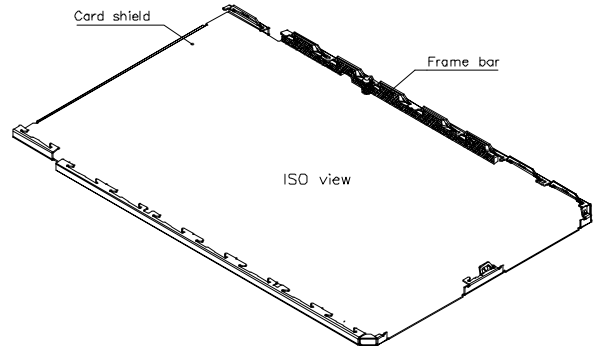
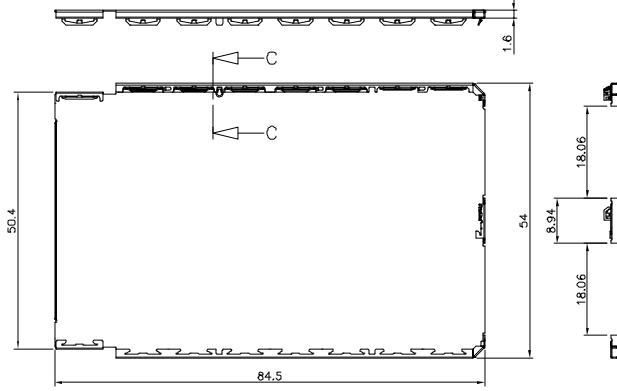
sheet 7 of 7 size
A2

type
CUSTOMER Drawing

Product number	Insulator
83808-12000LF	no
83808-12010LF	yes

Product number	Packaging
83808-xxxxxLF	1000 Rocard Shield/Box
83808-xxxxxLFS	200 Rocard Shield/Box

Section C-C
Scale 10:1

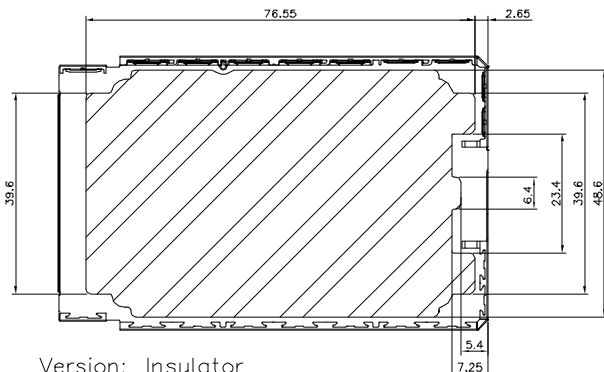
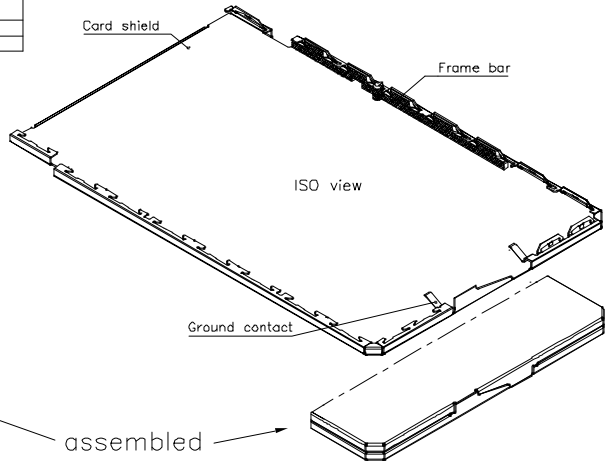
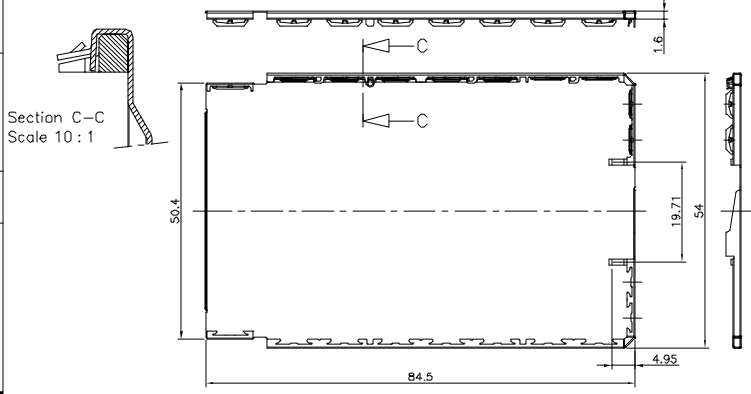


Version: Insulator
(thickness 0.07 mm)

mat'l code	surface	tolerance	projection	product family
lit	ISO 1502	80 48 08 701		PCMCIA
A	F80195 CCA	98.04.08	mm	ROCARD SHIELD
B	F80323 DLE	99.06.01	mm	TYPE I, 2x1/0
C	F10514 DLE	01.09.07	mm	83808
D	F08-024 DLE	05.09.26	mm	CUSTOMER Drawing
E	F08-0138 DLE	06.02.27	mm	
F	F08-0248 DLE	06.07.28	mm	

Product number	Insulator
83808-10000LF	no
83808-10010LF	yes

Product number	Packaging
83808-xxxxLF	1000 Rocard Shield/Box
83808-xxxxSLF	200 Rocard Shield/Box

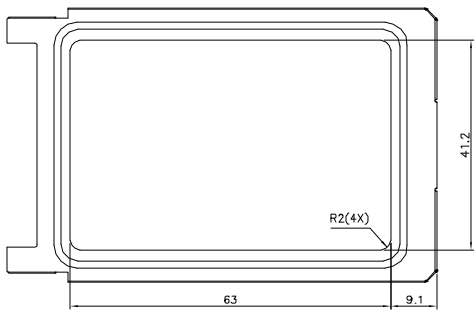
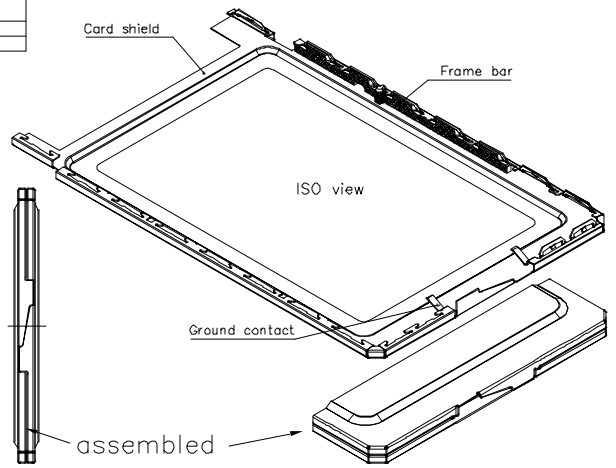
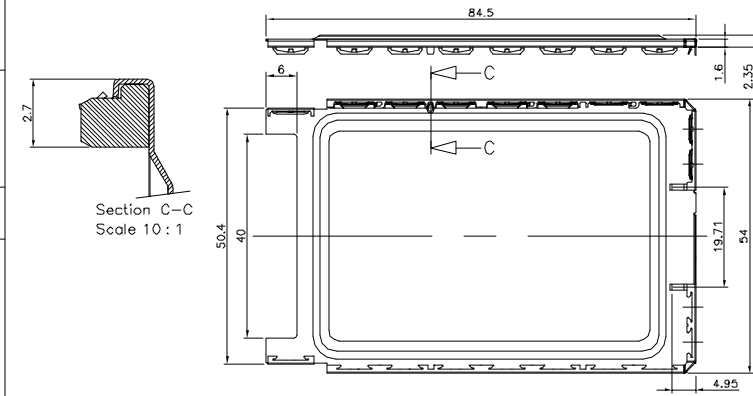


Version: Insulator
(thickness 0.07 mm)

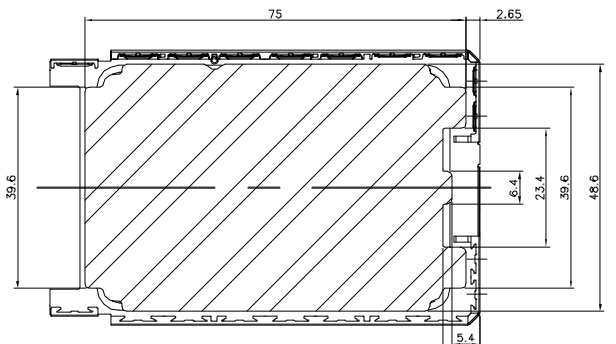
mat'l code	surface	tolerance	projection	product family
ISO 1592	ISO 1592	ISO 496 ISO 701	ISO 1592	PCMCIA
litr	ctrl	no	dr	date
A	F80195	CCA	98.04.08	
B	F80323	DLE	99.06.01	
C	F10514	DLE	01.09.07	
D	F08-0264	DLE	05.09.26	DR
E	F08-0138	DLE	06.02.27	MPGR
F	F08-0248	DLE	06.07.28	KTH
				DR
				F HALPIER
				D LEHRMANN
				99.05.04
				99.05.04
sheet	revision			
index	sheet			

Product number	Insulator	Label recess
83808-20001LF	no	no
83808-20011LF	yes	no
83808-20101LF	no	yes
83808-20111LF	yes	yes

Product number	Packaging
83808-xxxxxLF	1000 Rocard Shield/Box
83808-xxxxxSLF	200 Rocard Shield/Box



Version: Label recess
(maximum label thickness 0.07 mm)



Version: Insulator
(thickness 0.07 mm)

mat'l code	surface	tolerance	projection	product family					
ISO 1592	ISO 446 ISO 701			PCMCIA					
litr	ctrl	aa	dr	date	revision	status	checked	approved	specifier
A	F90655	DLE	99.10.25						
B	F00106	LMU	00.01.19						
C	F10914	DLE	01.09.07						
D	F06-0254	DLE	05.09.26	DR	D LEGRAND	99.10.25			
E	F08-0138	DLE	06.02.27	MPG	F HALTIER	99.10.25			
F	F08-0248	DLE	06.07.28	KTH	FALSCHMACHER	99.10.25			
					type	99.10.25			
sheet index	revision	sheet							

title
ROCARD SHIELD
TYPE II, CLOSED, CARDBUS

product family
PCMCIA

dwg no
83808

sheet 10 of 17

A2

type
CUSTOMER Drawing