

## Excellent Integrated System Limited

Stocking Distributor

Click to view price, real time Inventory, Delivery & Lifecycle Information:

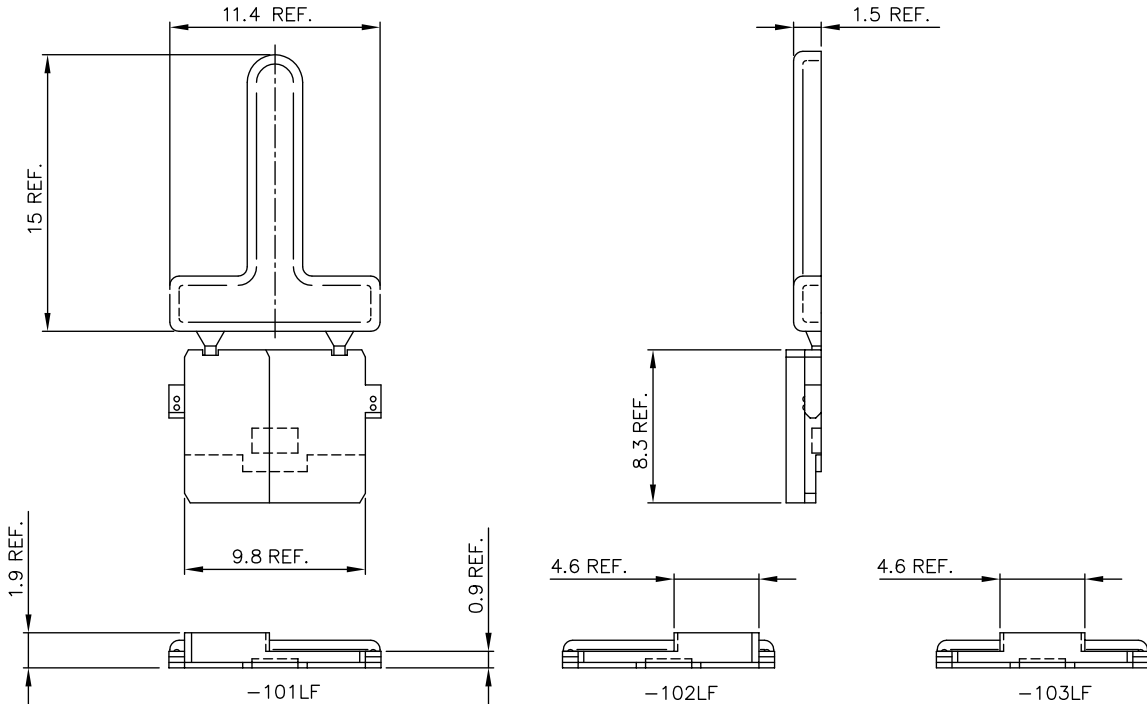
[FCI](#)

[85814-102LF](#)

For any questions, you can email us directly:

[sales@integrated-circuit.com](mailto:sales@integrated-circuit.com)

PRODUCT NUMBER	DESCRIPTION	COLOR
85814-101LF	RIGHT FEMALE KEY	BLUE
85814-102LF	LEFT FEMALE KEY	PINK
85814-103LF	MIDDLE FEMALE KEY	BROWN



**NOTES:**

- MATERIAL: LIQUID CRYSTAL POLYMER. FLAMERETARDANT ACC. UL 94-V0. 30% GLASS FILLED, COLOR SEE TABLE.
- THIS PRODUCT WITH "LF" SUFFIX MEETS EUROPEAN UNION DIRECTIVES AND OTHER COUNTRY REGULATIONS AS DESCRIBED IN GS -22-008.
- THE PRODUCT IS NOT INTENDED TO BE EXPOSED TO A MANUFACTURING SOLDER PROCESS.

mat'l. code		SEE NOTE 1		tolerances unless otherwise specified		CUSTOMER COPY		<b>FCI ELECTRONICS</b> www.fciconnect.com	
ltr	ecn no	dr	date	linear		projection		title	
A	H40101	VWO	940211			⊕		FEMALE KEY	
B	H40259	VWO	940420					HALF, EXTENDED	
C	H40487	DDB	940729	angles				product family	
D	H40545	VWO	940831	dr	H v Woensel	940211	mm	METRAL (tm)	code
E	H40642	DAN	941028	eng	H v Woensel	940211	mm	size	213
F	H50073	RVI	950201	chr	H Cooljmans	940211	scale	dwg no	sheet
G	bc05-0392	Clu	051017	app	H v Woensel	940211	5:1	A3	1 of 1
sheet	revision	G							
index	sheet	1							

Tous droits r serv s. Reproduction ou communication sans autorisation de FCI b.v. est interdite sans autorisation formelle de FCI b.v.

All rights are reserved. Reproduction or communication in any form without the written permission of FCI b.v. is prohibited.

form: A3