

Excellent Integrated System Limited

Stocking Distributor

Click to view price, real time Inventory, Delivery & Lifecycle Information:

[FCI](#)
[863008ATLF](#)

For any questions, you can email us directly:
sales@integrated-circuit.com

Copyright FCI.



D

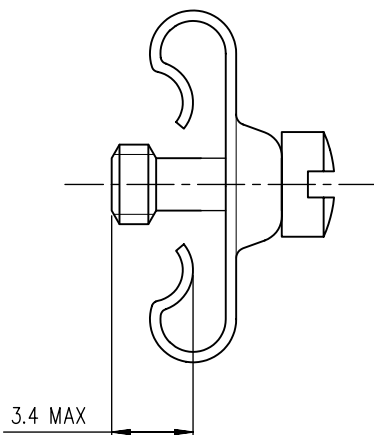
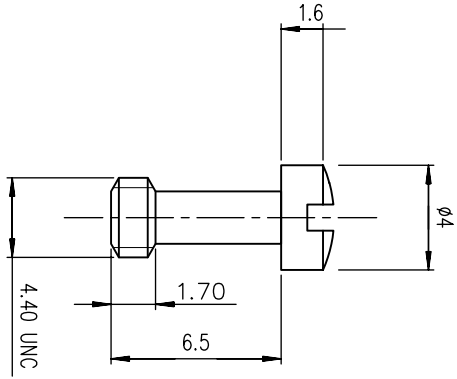
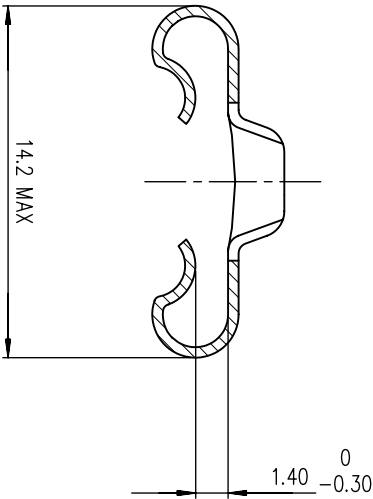
C

B

A

NOTE: ROHS INFORMATIONS

- The "LF" products meet European union Directives and other country regulations as described in GS-22-008.
- Plating Sn (pure bright) over copper
- Packaging spec: see GS-14-920



ASSEMBLY VIEW

NOTES

Packaging: _____ per 100 pieces.
Corrosion resistance: _____ to salt spray
24 hours exposure

Part number	863008AT
Part number	863008ATLF

rev	ben no	dr	date
B	-	JOU	2003/07/28
C	LS05-0026	MPE	2005/07/08
D	LS06-0097	LGO	2006/07/28
E	I11-0022	AMR	2011/07/25
F	ELX-H-01663	PK	2012/05/09
G	ELX-H-01666	PK	2012/05/21

www.fciconnect.com		surface ISO 1302		tolerance std ISO 406 ISO 1101		projection		mm	
Dr	JUBERT	1994/07/01	ANGULAR	0.X	±0.1	⊕	size	A3	Scale
Eng	PESSON	1994/07/01	LINEAR	0.XX	±0.1	⊕	ECN	ELX-H-01666	5
Chr	ABHILASH	2011/01/25	Product family	0.XXX	±0.1	⊕	Spec ref	-	
Appr	SUDHIR	2011/01/25							
title		MALE SCREW LOCKS		D-SUB		Spec ref		-	
catalog no		-		C01-8655-0653		CUSTOMER		sheet 1 of 1	

European View