

## Excellent Integrated System Limited

Stocking Distributor

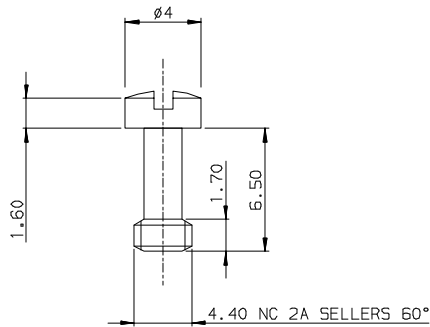
Click to view price, real time Inventory, Delivery & Lifecycle Information:

[FCI](#)  
[863002ALF](#)

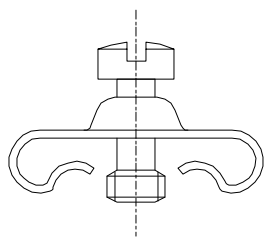
For any questions, you can email us directly:  
[sales@integrated-circuit.com](mailto:sales@integrated-circuit.com)

Tous droits réservés. Reproduction ou communication de ces lignes  
 en tout ou en partie sans autorisation écrite de FCI est formellement interdite.  
 All rights reserved. Reproduction or communication of these lines  
 in any form or by any means without written authorization of FCI is  
 expressly prohibited.

All rights are fully reserved. Reproduction or use of this document in any  
 form or by any means without written authorization of FCI is  
 expressly prohibited.

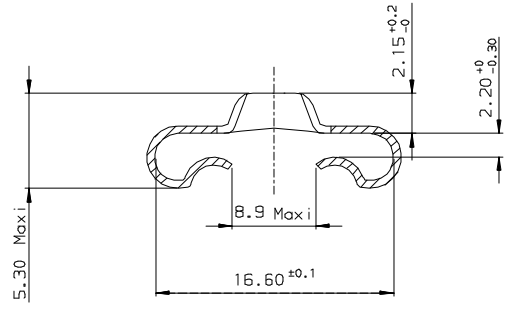


VUE ASSEMBLE



Part number: 863002ALF

**NOTES**  
 Pieces assembly  
 Packaging : per 100 piece  
 Material : steel  
 Thread : UNC 4.40



**NOTE1, RoHS INFORMATION**

- The "LF" product meets European union Directives and other country regulations as described in GS-22-008.
- The product is not intended to be exposed to a manufacturing solder process.
- Plating: Zinc Cr3+, white color.
- Packaging spec: see GS-14-920.

www.fciconnect.com		ISO 1302	tolerance ISO 406 ISO 1101	projection	mm
Dr	GOISNARD	12/01/06	Product family	D-SUB 571	size
Eng	PESSON	12/01/06	Spec ref	-	A3
Chr	LEGARE	12/01/06	Material	SEE NOTES	Scale
Appr	LEGARE	12/01/06		ECN	LS05-0123
title			ETRIER DE FIXATION POUR BOITIER		Rev.
title			ET CAPOT METAL 50pts (P et S)		A
catalog no			C01-8655-1645		sheet 1 of 1