

## **Excellent Integrated System Limited**

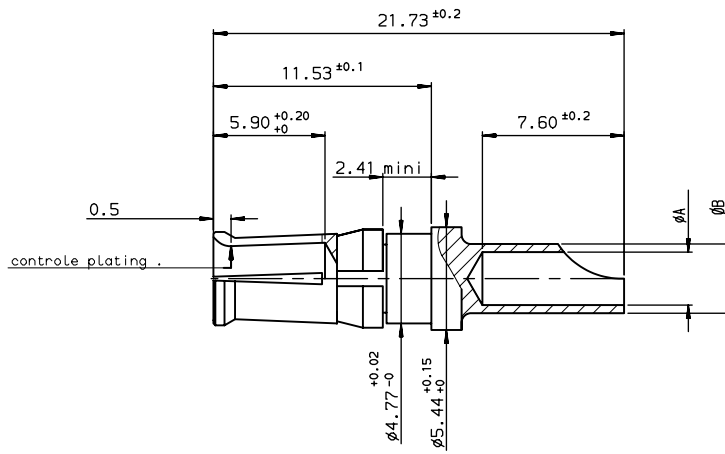
Stocking Distributor

Click to view price, real time Inventory, Delivery & Lifecycle Information:

[FCI](#)  
[86303061NLF](#)

For any questions, you can email us directly:  
[sales@integrated-circuit.com](mailto:sales@integrated-circuit.com)

CONTACT PLATING : gold 0.40 μ over nickel 1 μ .



8630-3099NLF	Power contact (AWG 8)	4.40	5.00	3.90	8.98
8630-3057NLF	Power contact (AWG 12)	2.80	3.65	2.40	3.18
8630-3061NLF	Power contact (AWG 14)	2.10	3.00	1.70	1.91
8630-3065NLF	Power contact (AWG 16)	1.70	2.60	1.50	1.34
PART NUMBER	Designation	$\phi A^{+0.10}$	$\phi B^{+0.10}$	$\phi$ same mm	Section mm <sup>2</sup> WIRE

European Views

www.fciconnect.com		surface ISO 1302	tolerance std ISO 406 ISO 1101	projection	mm
		TOLERANCES UNLESS OTHERWISE SPECIFIED			
Dr	M. PESSON	2006/06/11	ANGULAR	0.X	±0.1
Eng	M. PESSON	2006/06/11	LINEAR	0.XX	±0.1
Chr	LEGARRE	2006/06/11	0.XX	±2	±0.1
Appr	LEGARRE	2006/06/11	Product family	D-SUB	Spec ref -
FCI		POWER CONTACT (taille 8)		2	Rev. B
removable contact		catalog no		C01-8639-2159	CUSTOMER sheet 1 of 1

NOTE:RoHS INFORMATIONS

- The "LF" product meets European union Directives and other country regulations as described in 65-22-008.
- The product is not intended to be exposed to a manufacturing solder process.
- Packaging spec: see 65-14-920.

rev	ecn no	dr	date
A	LS06-0022	MPE	2006/06/11
B	LS06-0095	LGO	2006/06/23
-	-	-	-
-	-	-	-
-	-	-	-
-	-	-	-

REV F - 2008-04-17

1

2

PDM: Rev:B

STATUS Released

Printed: Oct 01, 2010