

Excellent Integrated System Limited

Stocking Distributor

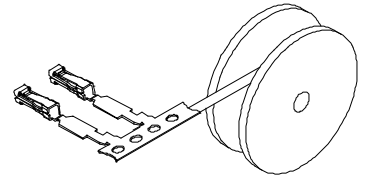
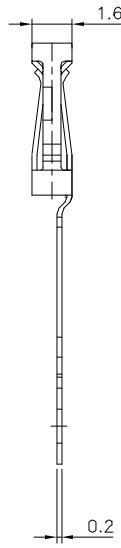
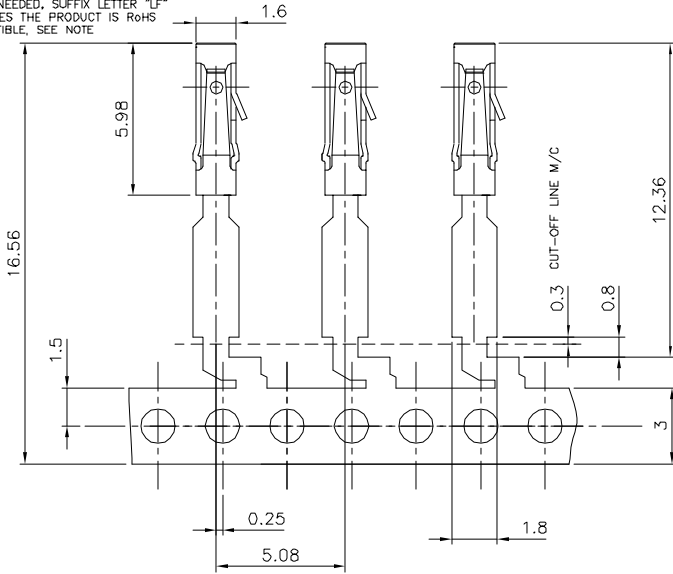
Click to view price, real time Inventory, Delivery & Lifecycle Information:

[FCI](#)
[73348-301LF](#)

For any questions, you can email us directly:
sales@integrated-circuit.com

PRODUCT NUMBER	QUANTITY PER REEL	PACKAGING
73348-Y01(LF)	15000	CARDBOARD REEL

WHEN NEEDED, SUFFIX LETTER "LF" INDICATES THE PRODUCT IS RoHS COMPATIBLE, SEE NOTE



REELING AFTER STAMPING

73348-3XXLF	0.76µm GOLD	Sn	0.3N MIN 0.6N MAX
73348-4XXLF	5µm Sn	Sn	0.3N MIN 0.6N MAX
73348-3XX	0.76µm GOLD	SnPb	0.3N MIN 0.6N MAX
73348-4XX	5µm SnPb	SnPb	0.3N MIN 0.6N MAX
PLATING CODE	CONTACT AREA	SOLDER TAIL	WITHDRAWAL FORCE USING SQUARE PIN
	PLATING THICKNESS OVER 1.27µm Ni		0.61

NOTE:

MATERIAL: PHOSPHOR BRONZE, EXTRA HARD
RoHS COMPATIBLE PRODUCT SPECIFICATIONS

- a - PLATING:
 - "LF" MEANS THE PRODUCT IS LEAD-FREE, 2µm MINIMUM MATTE TIN OVER 1.27µm MINIMUM NICKEL UNDERPLATE.
- b - LABELING:
 - MEETS PACKAGING SPECS AS PER GS-14-920
- c - LEGAL STATEMENT: SEE GS-22-008

mat'l. code	SEE NOTES	surface	tolerance	projection	product family
171	enr a3	04.11.16	06.06.20	06.06.20	DUFLEX
D	P34-D37-DLE	04.11.16	06.06.20	06.06.20	DUFLEX TERM. WITHOUT IDC
E	P08-0203-DLE	06.06.20	06.06.20	06.06.20	
F	P07-021-LMU	07.12.04	06.06.20	06.06.20	
		DR	LEGRAND	9706.06.20	scale 10:1
		enr	P NIZZ	06.06.20	dwg no
		enr	P NIZZ	06.06.20	73348
		enr	P N2	06.06.20	sheet 1 of 1
					A3
sheet	revision				type
index	sheet				CUSTOMER Drawing