

Excellent Integrated System Limited

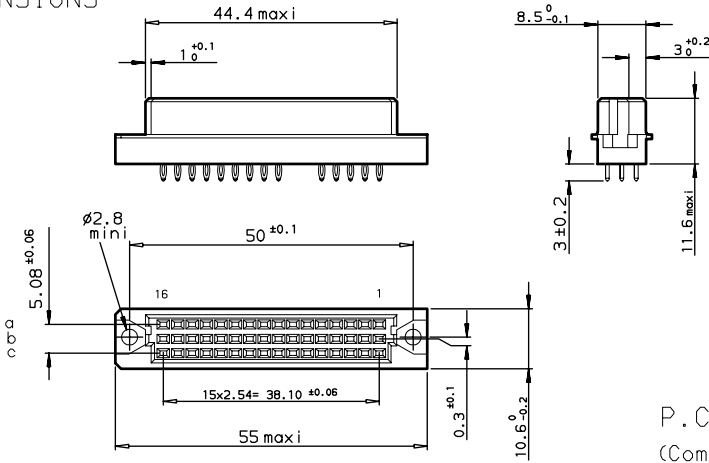
Stocking Distributor

Click to view price, real time Inventory, Delivery & Lifecycle Information:

[FCI](#)
[86093428394750CILF](#)

For any questions, you can email us directly:
sales@integrated-circuit.com

DIMENSIONS



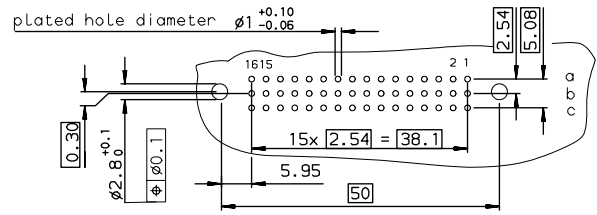
TIN LEAD PART NUMBER

PART NUMBER
86093428394750759E3

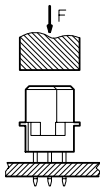
LEAD FREE PART NUMBER

PART NUMBER
86093428394750CILF

P.C. CARD DRILLING
(Component side view)



METHOD OF INSERTION
ON THE PCB = FLAT ROCK



GENERAL CHARACTERISTICS AND ROHS INFORMATIONS:

SEE DRAWING C-8609-0000C

European Views

SPECIFICATION 759 = no contact in position : row a-b-c cavities 6-7
 OR SPECIFICATION CI =

rev	ecn no	dr	date
A	-	ROU	1998/03/06
B	LS05-004	JTA	2005/02/26
C	LS06-0095	LGO	2006/06/24
-	-	-	-
-	-	-	-
-	-	-	-

www.fciconnect.com		surface ISO 1302 ✓	tolerance std ISO 406 ISO 1101	projection mm
Dr ROUILLARD 1998/03/06		TOLERANCES UNLESS OTHERWISE SPECIFIED		size A3
Eng TARON 1998/03/06	ANGULAR	LINEAR	0.X ±0.1 0.XX ±0.1 0.XXX ±0.1	Scale 1,5
Chr LEGARE 1998/03/06	0.XX ±2		ECN LS06-0095	
Appr LEGARE 1998/03/06	Product family	DIN 8609	Spec ref -	
FCI	STANDARD FEMALE 3 ROW	42 CONTACTS	C-8609-0695	Rev. C
catalog no	CUSTOMER		sheet 1 of 1	

REV F - 2008-04-17

1

2

PDM: Rev:C

STATUS: **Released**

Printed: May 14, 2011

Copyright FCI.