

Excellent Integrated System Limited

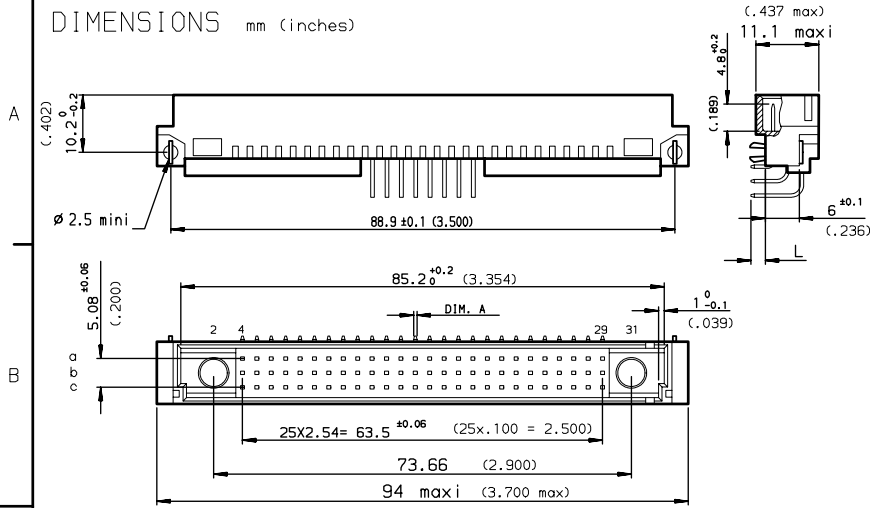
Stocking Distributor

Click to view price, real time Inventory, Delivery & Lifecycle Information:

[FCI](#)
[8609452A113755000E1](#)

For any questions, you can email us directly:
sales@integrated-circuit.com

DIMENSIONS mm (inches)



GENERAL CHARACTERISTICS AND ROHS INFORMATIONS:
SEE DRAWING C-8609-0000A

TIN LEAD	LEAD FREE	
8609 378 A1 13 755 000 E1	8609 378 A1 13 755 E1 LF	Style M header, 78 Position, solder to board, class 2

Application specific part-numbers: See sheet 2

European Views

www.fciconnect.com		surface ISO 1302	tolerance std ISO 406 ISO 1101	projection 	mm
		TOLERANCES UNLESS OTHERWISE SPECIFIED		size A3	Scale 1.5
Dr	ROUILLARD	1992/09/16	ANGULAR	0.X	±0.1
Eng	TARON	1992/09/16	LINEAR	0.XX	±0.1
Chr	LEGARE	1992/09/16	0.XXX	±0.1	ECN LS06-0097
Appr	LEGARE	1992/09/16	Product family	DIN 8609	Spec ref -
rev	ecn no	dr	date	RIGHT ANGLE HEADER - STYLE M	
E	-	ROU	2002/08/30	SOLDER TO BOARD	
F	LS05-001	JTA	2005/03/04	catalog no	-
G	LS06-0097	LGO	2006/07/11	customer	C-8609-0309-1
-	-	-	-	sheet	1 of 1
-	-	-	-	Rev.	6

REV F - 2008-04-17

1

2

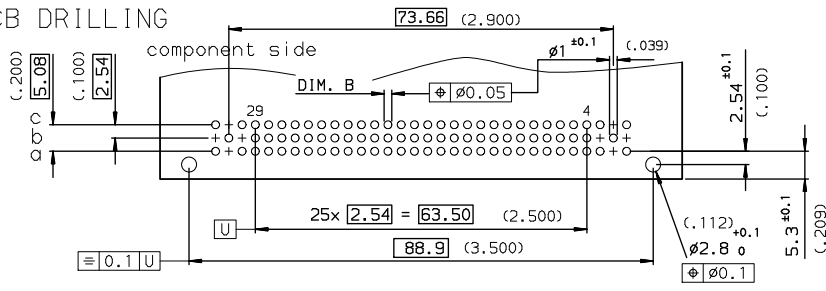
PDM: Rev:G

STATUS: **Released**

Printed: May 14, 2011

PART NUMBER	8609	A1	5
PIN OUT rows a-b-c	3	78	
rows a-c	4	52	
NUMBER OF CONTACTS			
TERMINATION			
L = 2.75 ±0.15 (.108)	A = $\varnothing 0.6^{+0.00}_{-0.08}$	B = $\varnothing 0.8^{+0.30}_0$	13
L = 4.15 ±0.15 (.163)	A = 0.6x0.6	B = $\varnothing 1 \pm 0.1$	23
no option with harpoons			7 H
DIN 41612 class 3			4
DIN 41612 class 2			
DIN 41612 class 1			
TERMINATION TYPE			
TIN LEAD			: 000E1
LEAD FREE			: E1LF

PCB DRILLING



GENERAL CHARACTERISTICS AND ROHS INFORMATIONS:
 SEE DRAWING C-8609-0000A

European Views

www.fciconnect.com	surface ISO 1302	tolerance std ISO 406 ISO 1101	projection mm
TOLERANCES UNLESS OTHERWISE SPECIFIED			
Dr ROUILLARD 1992/09/16	ANGULAR	0.x ±0.1	size A3 Scale 1.5
Eng TARON 1992/09/16	LINEAR	0.xx ±0.1	ECN LS06-0097
Chr LEGARE 1992/09/16	0.x' ±2'	0.xxx ±0.1	Spec ref -
Appr LEGARE 1992/09/16	Product Family	DIN 8609	
FCI	TITLE RIGHT ANGLE HEADER - STYLE M	Aug 20	Rev. G
	SOLDER TO BOARD	Aug 20	C-8609-0309-2
catalog no			CUSTOMER sheet 1 of 1

rev	ecn no	dr	date
E	-	ROU	2002/08/30
F	LS05-001	JTA	2005/03/04
G	LS06-0097	LBO	2006/07/11
-	-	-	-
-	-	-	-
-	-	-	-
-	-	-	-

REV F - 2006-04-17