

Excellent Integrated System Limited

Stocking Distributor

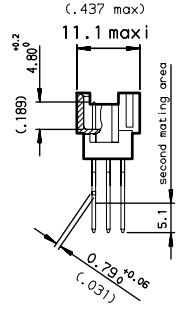
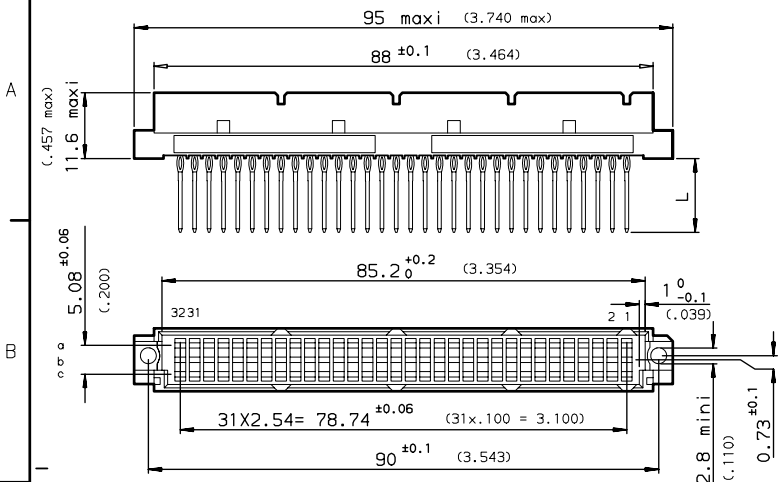
Click to view price, real time Inventory, Delivery & Lifecycle Information:

[FCI](#)
[86093967997755LF](#)

For any questions, you can email us directly:

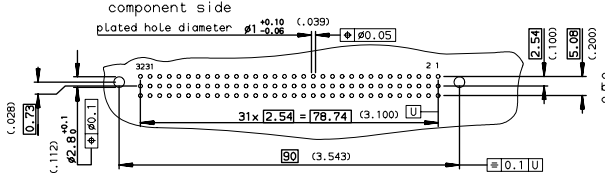
sales@integrated-circuit.com

DIMENSIONS mm (inches)



PART NUMBER	8609			79		7		5	
PIN OUT									
rows g-b-c				3				96	
rows a-c				4				64	
NUMBER OF CONTACTS									
TERMINATION									
L = 13.25 ±0.25 (.521)								96	
L = 17.25 ±0.25 (.679)								97	
L = 20.00 ±0.25 (.787)								98	
PERFORMANCE CLASS									
DIN 41612 class 3									4
DIN 41612 class 2									5
DIN 41612 class 1									6
TERMINATION TYPE									
TIN LEAD									000
LEAD FREE									LF

PCB DRILLING



GENERAL CHARACTERISTICS AND ROHS INFORMATIONS:
SEE DRAWING C-8609-0000C

European Views

www.fciconnect.com		surface	ISO 1302	tolerance std	ISO 406 ISO 1101	projection	mm
		TOLERANCES UNLESS OTHERWISE SPECIFIED					
Dr	ROUILLARD	1997/10/31	ANGULAR	0.X	±0.1	size	Scale
Eng	TARON	1997/10/31	LINEAR	0.XX	±0.1	A3	1.5
Chr	LEGARE	1997/10/31	0.XXX ±2	0.XXX	±0.1	ECN	LS06-0095
Appr	LEGARE	1997/10/31	Product family	DIN 8609		Spec ref	-
FCI		STRAIGHT MALE - STYLE HE 11		C-8609-0663		Rev.	D
catalog no		-		CUSTOMER		sheet 1 of 1	

rev	ecn no	dr	date
B	-	ATC	1998/12/09
C	LS06-004	JTA	2005/02/26
D	LS06-0095	LGO	2006/06/22
-	-	-	-
-	-	-	-
-	-	-	-
-	-	-	-

Copyright FCI.

REV F - 2006-04-17