

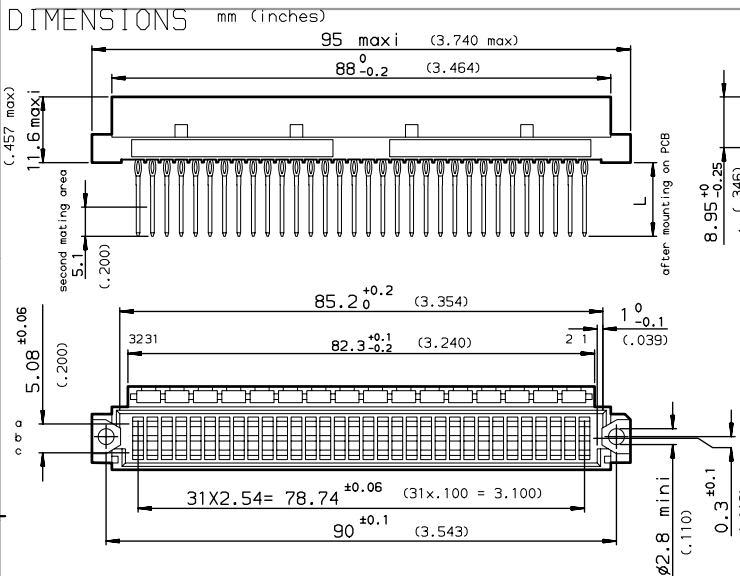
## Excellent Integrated System Limited

Stocking Distributor

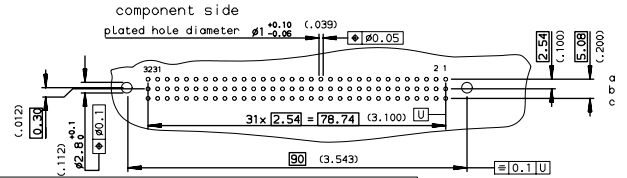
Click to view price, real time Inventory, Delivery & Lifecycle Information:

[FCI](#)  
[86094640896755LF](#)

For any questions, you can email us directly:  
[sales@integrated-circuit.com](mailto:sales@integrated-circuit.com)



**PCB DRILLING**



**GENERAL CHARACTERISTICS AND ROHS INFORMATIONS:**

SEE DRAWING C-8609-0000C

European Views

www.fciconnect.com		surface ISO 1302	tolerance std ISO 406 ISO 1101	projection 	mm
TOLERANCES UNLESS OTHERWISE SPECIFIED					
Dr	ROUILLARD	1996/09/04	ANGULAR	0.X	±0.1
Eng	TARON	1996/09/04	LINEAR	0.XX	±0.1
Chr	LEGARE	1996/09/04	0.XXX	0.XXX	±0.1
Appr	LEGARE	1996/09/04	Product family		DIN 8609
size					A3
Scale					1.5
ECN					LS06-0095
Spec ref					-
FCI title			STRAIGHT MALE - STYLE R		Rev.
catalog no			PRESS FIT REAR PLUG UP WITH KEYING		F
C-8609-0522			CUSTOMER		sheet 1 of 1

PART NUMBER		8609	08	7	5
PIN OUT		rows a-b-c	3	96	
		rows a-c	4	64	
NUMBER OF CONTACTS					
TERMINATION		L = 13.25 ±0.25 (.521)	near plug up	96	
		L = 17.25 ±0.25 (.679)	near plug up + 1 wrap	97	
		L = 20.95 ±0.25 (.825)	near plug up + 2 wraps	98	
PERFORMANCE CLASS		DIN 41612 class 3			
		DIN 41612 class 2			
		DIN 41612 class 1			
TERMINATION TYPE				000	LF
TIN LEAD					
LEAD FREE					

rev	sen no	dr	date
D	-	ROU	1997/11/05
E	LS05-004	JTA	2005/02/28
F	LS06-0095	LGO	2006/07/12
-	-	-	-
-	-	-	-
-	-	-	-
-	-	-	-

Copyright FCI.

REV F - 2006-04-17