

Excellent Integrated System Limited

Stocking Distributor

Click to view price, real time Inventory, Delivery & Lifecycle Information:

[FCI](#)

[74423-040LF](#)

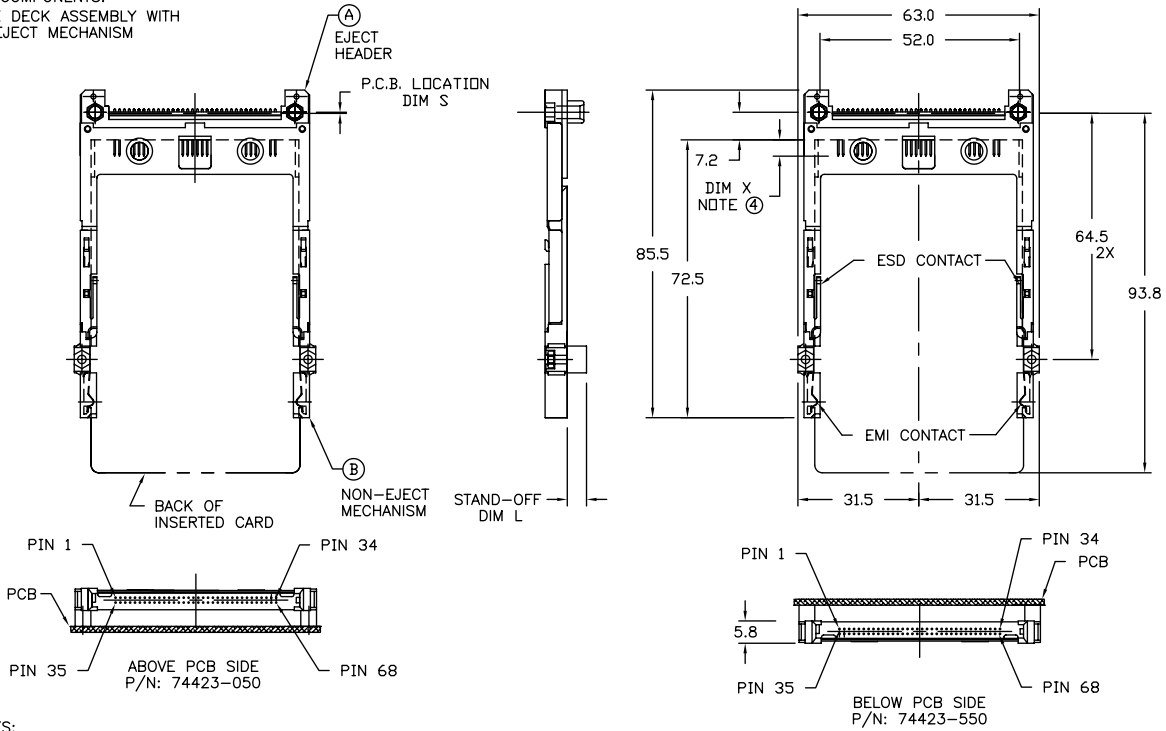
For any questions, you can email us directly:

sales@integrated-circuit.com

Tous droits strictement réservés. Reproduction ou communication à des tiers sans autorisation écrite du propriétaire. Propriété de FCI. Droits de reproduction FCI.

All rights strictly reserved. Reproduction or issue to third parties in any form without written authority from the proprietor. Property of FCI. Copyright FCI.

PCMCIA COMPONENTS:
 SINGLE DECK ASSEMBLY WITH
 NON-EJECT MECHANISM



NOTES:

- REFER TO HEADER DRAWING 61127 AND NON-EJECT MECHANISM 92791 FOR ADDITIONAL DIMENSIONS, MATERIAL, AND PLATING INFORMATION.
- REFER TO SHEETS 2 AND 3 FOR PCB LAYOUT.
- RECOMMENDED SCREW TORQUE: 1.0 TO 1.5 MAX in-lbs. (1.2-1.7 cm-kgs).

(4) DIM X

4.25±0.1	3.5±0.1	5.0±0.1
OTHERS	36,67	1,17,34,35,51,68

mat'l. code		tolerances unless otherwise specified		CUSTOMER COPY	FCI Electronics www.fciconnect.com	
ltr	ecn no	dr	date	linear	projection	title
A	V80087	RGD	2/21/98	.X±.3		68 POS. EJECT HEADER ASSY.
B	V90656	CGC	3/13/99	.XX±.13		
C	V00647	RGD	3/28/00	.XXX±.051		
				angles	0° ±2°	
D	V12164	TFG	8/17/01	dr	R.GRAPE	2/21/98
E	V03-0517	WL	05/29/03	engr	D.BRANN	2/21/98
F	N04-0030	PH	07/21/04	chr	D.BRANN	2/21/98
				appd	D.BRANN	2/21/98
sheet index	revision sheet	F	E	E	F	F
		1	2	3	4	

ACAD

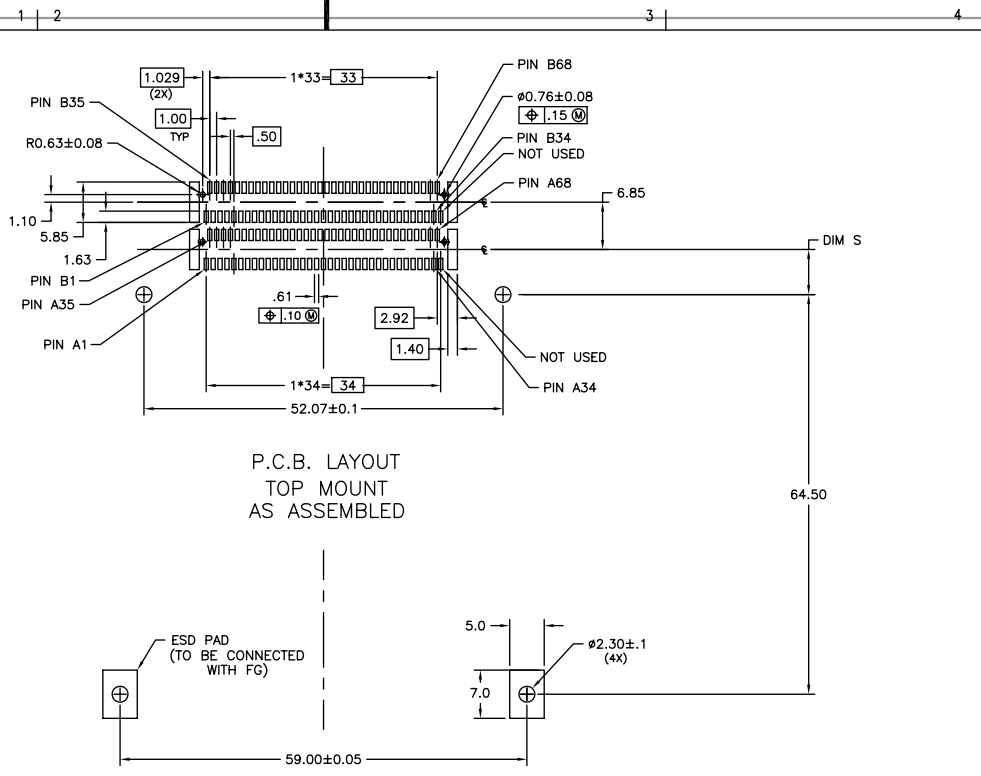
PDM: Rev:F

cage code 22526
 STATUS: Released

Released Oct 12, 2010

Tous droits strictement réservés. Reproduction ou communication a des tiers sans autorisation écrite du propriétaire. Propriété de FCI. Droits de reproduction FCI.

All rights strictly reserved. Reproduction or issue to third parties in any form without written authority from the proprietor. Property of FCI. Copyright FCI.



P.C.B. LAYOUT
TOP MOUNT
AS ASSEMBLED

mat'l. code		tolerances unless otherwise specified		CUSTOMER COPY	FCI Electronics www.fciconnect.com	
ltr	ecm no	dr	date	linear	projection	title
E				.X±.3		68 POS. EJECT HEADER ASSY.
				.XX±.13		
				.XXX±.051		
				angles	0° ±2°	
		dr	R.GRAPE 2/21/98		MM	product family MCS
		engr	D.BRANN 2/21/98			code
		chr	D.BRANN 2/21/98			size
		appd	D.BRANN 2/21/98		scale 1:1	dwg no 74423
sheet index	revision sheet					code 22526
						STATUS Released

ACAD

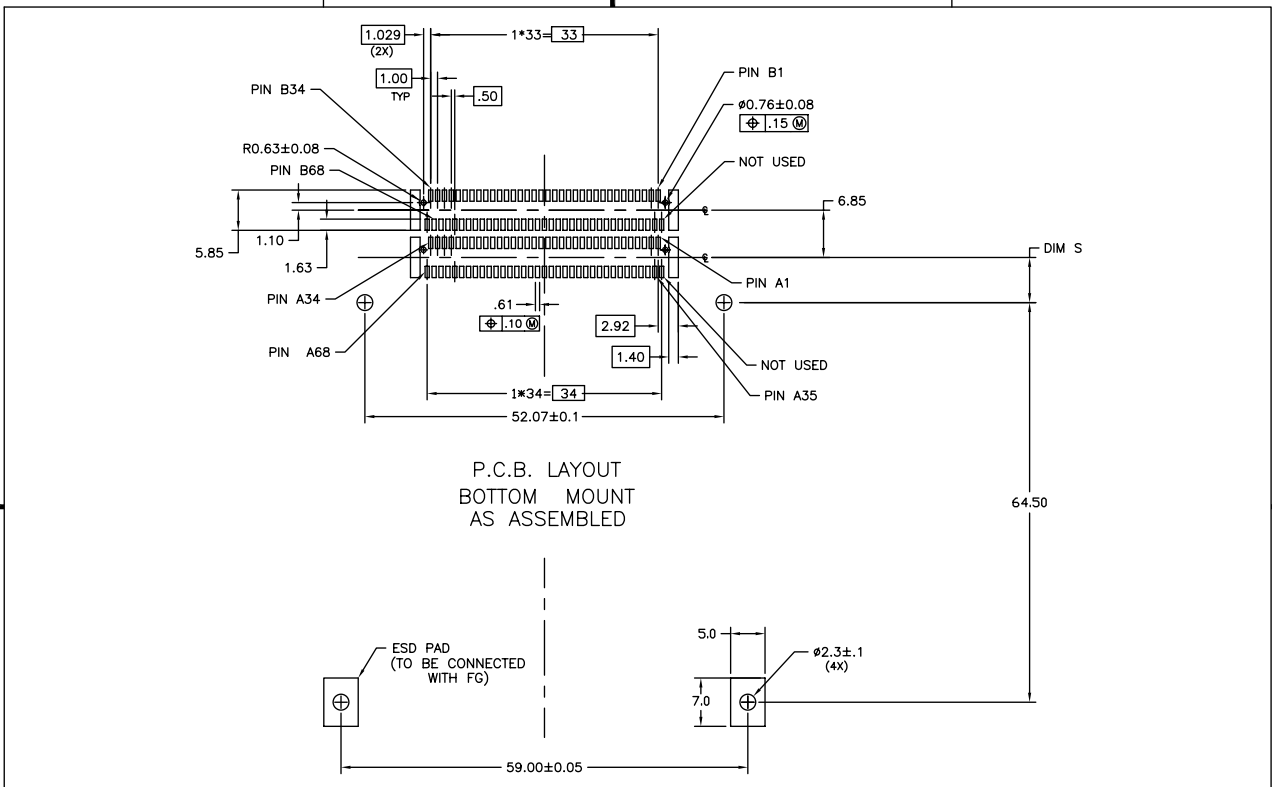
PDM: Rev:F

cage code 22526
STATUS Released

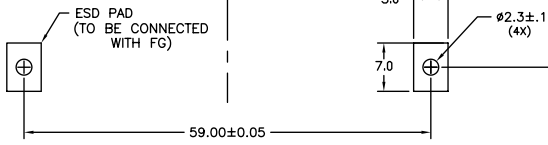
Printed: Oct 12, 2010

Tous droits strictement réservés. Reproduction ou communication à des tiers sans autorisation écrite du propriétaire. Propriété de FCI. Droits de reproduction FCI.

All rights strictly reserved. Reproduction or issue to third parties in any form without written authority from the proprietor. Property of FCI. Copyright FCI.



P.C.B. LAYOUT
BOTTOM MOUNT
AS ASSEMBLED



mat'l. code				tolerances unless otherwise specified		CUSTOMER COPY	FCI Electronics www.fciconnect.com	
ltr	ecn no	dr	date	linear	.X±.3	projection	title	
E					.XX±.13	⊕	68 POS. EJECT HEADER ASSY.	
				angles	.XXX±.051	MM	product family	code
				dr	0° ±2°		MCS	-
				engr		1:1	size	sheet
				chr	R.GRAPE 2/21/98		74423	3 of
				appd	D.BRANN 2/21/98			
sheet index	revision sheet				D.BRANN 2/21/98			

ACAD

PDM: Rev:F

cage code 22526
STATUS: Released

Printed: Oct 12, 2010

Tous droits strictement réservés. Reproduction ou communication des tiers sans autorisation écrite de la FCI. Propriété de la FCI. Droits de reproduction FCI.

All rights strictly reserved. Reproduction or issue to third parties in any form without written authority from the proprietor. Property of FCI. Copyright FCI.

DESCRIPTION: ABOVE AND BELOW P.C.B., DECK IS AS VIEWED BY USER.

PRODUCT NO. 74423-XXX	STAND-OFF HEIGHT DIM L	P.C.B. LOCATION DIM S	Ⓐ HEADER ASSY 61127-XXXX	Ⓑ MECHANISM ASSY 92791-XXX	MOUNTING STYLE TO PCB
020	2.2	-0.3	0022	-022	
040	4.3	-0.3	0043	-043	
050	5.0	-0.3	0050	-051	
020LF	2.2	-0.3	0022LF	-022	
040LF	4.3	-0.3	0043LF	-043	
050LF	5.0	-0.3	0050LF	-051	
005	0.0	10.0	0500	-001	
025	0.0	6.55	0522	-001	
045	0.0	6.55	0543	-001	
055	0.0	6.55	0550	-001	
005LF	0.0	10.0	0500LF	-001	
025LF	0.0	6.55	0522LF	-001	
045LF	0.0	6.55	0543LF	-001	
055LF	0.0	6.55	0550LF	-001	
520	2.2	-0.3	5022	-022	
540	4.3	-0.3	5043	-043	
550	5.0	-0.3	5050	-051	
520LF	2.2	-0.3	5022LF	-022	
540LF	4.3	-0.3	5043LF	-043	
550LF	5.0	-0.3	5050LF	-051	
505	0.0	10.0	5500	-001	
525	0.0	6.55	5522	-001	
545	0.0	6.55	5543	-001	
555	0.0	6.55	5550	-001	
505LF	0.0	10.0	5500LF	-001	
525LF	0.0	6.55	5522LF	-001	
545LF	0.0	6.55	5543LF	-001	
555LF	0.0	6.55	5550LF	-001	

mat'l. code				tolerances unless otherwise specified		CUSTOMER COPY	Electronics www.fciconnect.com	
ltr	ecn no	dr	date	linear	.X±.3	projection	title	
F					.XX±.13		68 POSITION EJECT HEADER ASSEMBLY	
				angles	.XXX±.051		product family MCS	
					0° ±2°		code -	
				dr	R.GRAPE 2/21/98	MM	size	
				enrg	D.BRANN 2/21/98		dwg no	
				chr	D.BRANN 2/21/98	scale	74423	
				appd	D.BRANN 2/21/98		sheet 4 of	
sheet index	revision sheet					1:1	A4	

ACAD

PDM: Rev:F

cage code 22526
STATUS: Released

Printed: Oct 12, 2010