

Excellent Integrated System Limited

Stocking Distributor

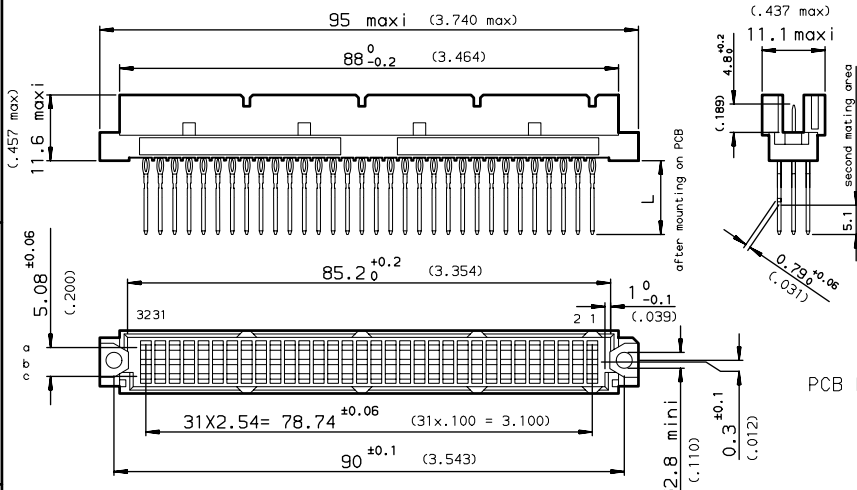
Click to view price, real time Inventory, Delivery & Lifecycle Information:

[FCI](#)
[86093967896795LF](#)

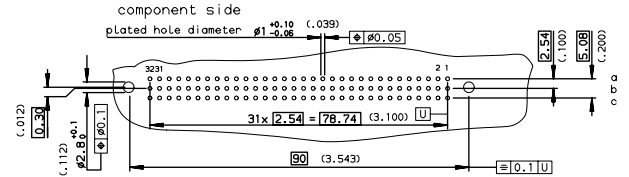
For any questions, you can email us directly:

sales@integrated-circuit.com

DIMENSIONS mm (inches)



PCB DRILLING



GENERAL CHARACTERISTICS AND ROHS INFORMATIONS:

SEE DRAWING C-8609-0000C

PART NUMBER	8609			78				7	9	5		
PIN OUT	rows a-b-c	---										
	rows a-c	---										
NUMBER OF CONTACTS		---										
TERMINATION	L = 13.25 ±0.25 (.521)	---								rear plug up	---	96
	L = 17.25 ±0.25 (.679)	---								rear plug up + 1 wrap	---	97
PERFORMANCE CLASS	DIN 41612 class 1											
TERMINATION TYPE	---										000	
TIN LEAD	---										LF	
LEAD FREE	---											

www.fciconnect.com		surface	tolerance std		projection	mm	
		ISO 1302	ISO 406 ISO 1101			Scale 1:1	
		TOLERANCES UNLESS OTHERWISE SPECIFIED					
Dr	ROUILLARD	1992/07/07	ANGULAR	0.X	±0.1	size	A3
Eng	TARON	1992/07/07	LINEAR	0.XX	±0.1	ECN	LS06-0095
Chr	LEGARE	1992/07/07	0.XX ±2	0.XXX	±0.1	Product family	DIN 8609
Appr	LEGARE	1992/07/07	Product family		DIN 8609	Spec ref	-
		STRAIGHT MALE - STYLE R			2	C-8609-0432	
catalog no		PRESS FIT REAR PLUG UP for NOKIA			6	CUSTOMER sheet 1 of 1	

rev	ecn no	dr	date
D	-	ROU	1997/09/25
E	LS06-004	JTA	2005/02/28
F	LS06-0095	LGO	2006/06/17
-	-	-	-
-	-	-	-
-	-	-	-