

Excellent Integrated System Limited

Stocking Distributor

Click to view price, real time Inventory, Delivery & Lifecycle Information:

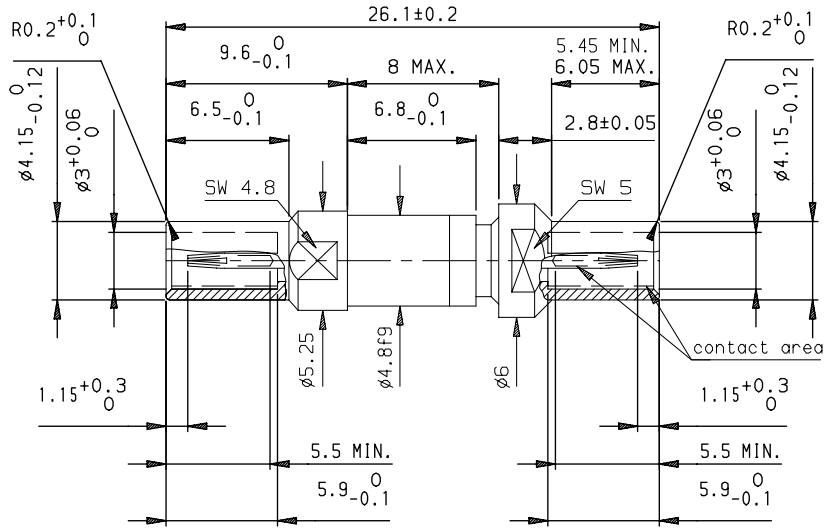
[FCI](#)

[85985-001LF](#)

For any questions, you can email us directly:

sales@integrated-circuit.com

LEAD-FREE PART NUMBER	PCB THICKNESS
85985-001LF	3.2 mm



1.3µm Au MIN
PLATING CONTACT AREA

- NOTES:
- 1 UNDERPLATING Ni
 - 2 DIM. ACC. DIN 41626
 - 3 GEN. TOL. ±0.10
 4. THIS PRODUCT WITH "LF" SUFFIX MEETS EUROPEAN UNION DIRECTIVES AND OTHER COUNTRY REGULATIONS AS DESCRIBED IN GS -22-008.
 5. THE PRODUCT IS NOT INTENDED TO BE EXPOSED TO A MANUFACTURING SOLDER PROCESS.
 6. PACKAGING SPEC: SEE GS-14-920

European Views

www.fciconnect.com				surface	tolerance std		projection	mm					
				ISO 1302	ISO 406 ISO 1101			mm					
				TOLERANCES UNLESS OTHERWISE SPECIFIED									
Dr	GOISNARD	2006/03/06		ANGULAR	LINEAR	0.X	±0.1	size	Scale				
Eng	GOISNARD	2006/03/06				0.XX	±0.1	A3	5				
Chr	LEGARE	2006/03/06		0.XX	±2	0.XXX	±0.1	ECN	LS08-0057				
Appr	LEGARE	2006/03/06		Product family			METRAL	Spec ref	-				
rev	ecn no	dr	date							DIN COAX RCP COUPLER ADJUSTABLE	2 0 8	85985	Rev. F
D	LS06-0022	L60	2006/03/06										
E	LS07-0214	L60	2007/08/21										
F	LS08-0057	L60	2008/02/18										
-	-	-	-										
catalog no				-						CUSTOMER sheet 1 of 1			

REV F - 2008-04-17

1

2

3 PDM: Rev:F

STATUS Released

Printed: Oct 01, 2010