

Excellent Integrated System Limited

Stocking Distributor

Click to view price, real time Inventory, Delivery & Lifecycle Information:

[Molex Connector Corporation](#)
[5015680207](#)

For any questions, you can email us directly:

sales@integrated-circuit.com

10 9 8 7 6 5 4 3 2 1

F

E

D

C

B

A

F

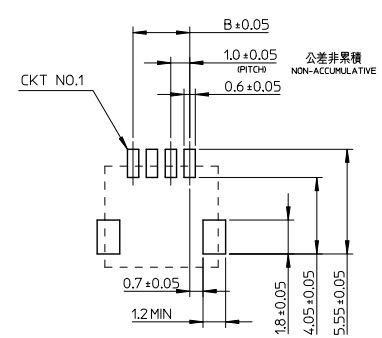
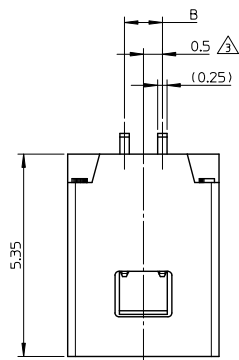
E

D

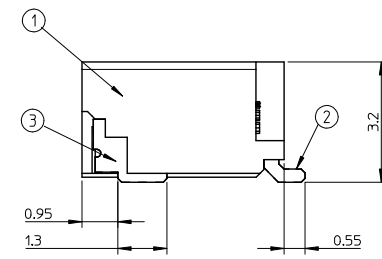
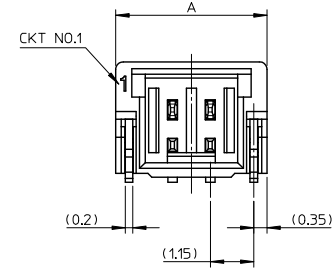
C

B

A



参考パターンレイアウト
RECOMMENDED PATTERN DIM(REF)
SCALE:5-1



番号 NO.	部品 PART	材質 MATERIAL
①	ウエハー WAFER	耐熱ナイロン、UL94V-0、色：自然色 HEAT RESISTANCE NYLON, UL94V-0, COLOR:NATURAL
②	ソルダーピン SOLDER PIN	りん青銅 PHOSPHOR BRONZE サズメッキ : 1 MICRO METER MINIMUM. TIN PLATING ニッケル下地メッキ : 1 MICRO METER MINIMUM. NICKEL UNDER PLATING
③	ネイル NAIL	黄銅 BRASS サズメッキ : 1 MICRO METER MINIMUM. TIN PLATING ニッケル下地メッキ : 1 MICRO METER MINIMUM. NICKEL UNDER PLATING

4.0	7.0	501568-0507	5	501568-**-07
3.0	6.0	501568-0407	4	
2.0	5.0	501568-0307	3	
1.0	4.0	501568-0207	2	
B	A	MATERIAL NO.	CKT	MODEL NO.

NOTES

1. かん合相手 : 501330-****
MATE WITH : 501330-****
2. ソルダーピン及びネイルの平行度は0.1MAX.
SOLDER PIN AND NAIL COPLANARITY TO BE 0.1MAX.
- △ 極数 = 偶数に適用
APPLY FOR CKT SIZE=EVEN
4. 6~15 種は、SD-501568-002を参照下さい。
REFER TO SD-501568-002 ABOUT 6-15CKT.

REVISED EC NO. J2014-1558 DRAWN:RIORI 2014/04/15 CHKD:KASKAWA 2014/04/15 APPR:NIKIITA 2014/04/16 REV	GENERAL TOLERANCES (UNLESS SPECIFIED)	DIMENSION STYLE MM ONLY	SCALE 10:1	DESIGN UNITS METRIC	THIRD ANGLE PROJECTION
	10 UNDER ± 0.2	DRAWN BY AMIZUMURA	DATE 2005/01/19	TITLE 1.0 WIRE TO BOARD CONN. 1-ROW R/A WAFER ASSY 2-5CKT -LEAD FREE-	
	10 OVER 30 UNDER ± 0.25	CHECKED BY MYAGI	DATE 2005/01/19		
	30 OVER ± 0.3	APPROVED BY ANODA	DATE 2005/01/19		
ANGULAR ± 3 °	DRAFT WHERE APPLICABLE MUST REMAIN WITHIN DIMENSIONS		MATERIAL NO. SEE TABLE	DOCUMENT NO. SD-501568-001	SHEET NO. 1 OF 2
THIS DRAWING CONTAINS INFORMATION THAT IS PROPRIETARY TO MOLEX INCORPORATED AND SHOULD NOT BE USED WITHOUT WRITTEN PERMISSION					

9 8 7 6 5 4 3 2

10 9 8 7 6 5 4 3 2 1

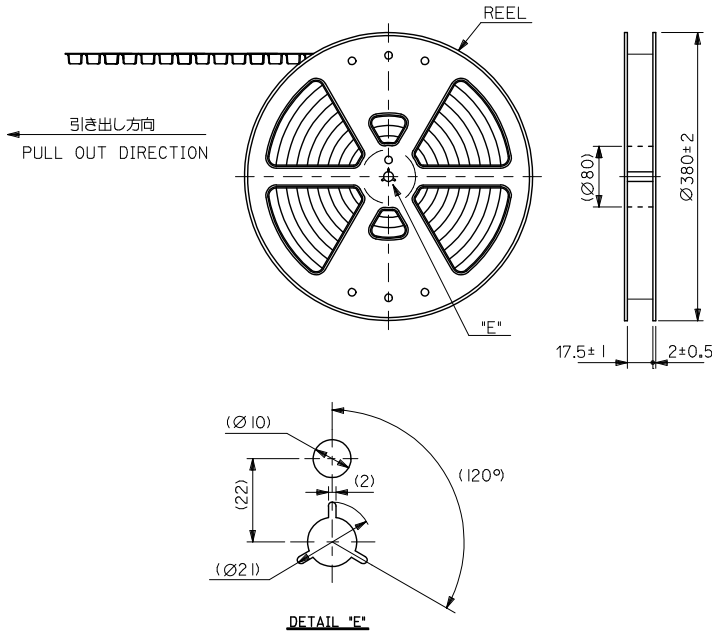
紫 VIOLET	橙 ORANGE	茶 BROWN	緑 GREEN	青 BLUE	黄 YELLOW	赤 RED	色 COLOR
501568-0597	501568-0587	501568-0577	501568-0567	501568-0547	501568-0537	501568-0527	5
501568-0497	501568-0487	501568-0477	501568-0467	501568-0447	501568-0437	501568-0427	4
501568-0397	501568-0387	501568-0377	501568-0367	501568-0347	501568-0337	501568-0327	3
501568-0297	501568-0287	501568-0277	501568-0267	501568-0247	501568-0237	501568-0227	2
PLASTIG BAG PACKAGE オーダー番号 ORDER NO.	PLASTIG BAG PACKAGE オーダー番号 ORDER NO.	PLASTIG BAG PACKAGE オーダー番号 ORDER NO.	PLASTIG BAG PACKAGE オーダー番号 ORDER NO.	PLASTIG BAG PACKAGE オーダー番号 ORDER NO.	PLASTIG BAG PACKAGE オーダー番号 ORDER NO.	PLASTIG BAG PACKAGE オーダー番号 ORDER NO.	CKT. CONNECTOR SERIES NO.

白 WHITE	色 COLOR
501568-0507	5
501568-0407	4
501568-0307	3
501568-0207	2
PLASTIG BAG PACKAGE オーダー番号 ORDER NO.	CKT. CONNECTOR SERIES NO.

REVISED EC NO. J2014-1558 DRAWN BY CHIKIDAKAWA APPROVED BY APPR. NIKITA	GENERAL TOLERANCES (UNLESS SPECIFIED)		DIMENSION STYLE MM ONLY		SCALE 5:1	DESIGN UNITS METRIC	THIRD ANGLE PROJECTION
	10 UNDER	± 0.2	DRAWN BY AMIZUMURA	DATE 2005/01/19	TITLE 1.0 WIRE TO BOARD CONN. 1-ROW R/A WAFER ASSY 2-5CKT -LEAD FREE-		
	10 OVER 30 UNDER	± 0.25	CHECKED BY MYAGI	DATE 2005/01/19	molex		
	30 OVER	± 0.3	APPROVED BY ANODA	DATE 2005/01/19			
ANGULAR ± 3 °		MATERIAL NO. SEE TABLE		DOCUMENT NO. SD-501568-001	SHEET NO. 2 OF 2		
DRAFT WHERE APPLICABLE MUST REMAIN WITHIN DIMENSIONS		THIS DRAWING CONTAINS INFORMATION THAT IS PROPRIETARY TO MOLEX INCORPORATED AND SHOULD NOT BE USED WITHOUT WRITTEN PERMISSION					

9 8 7 6 5 4 3 2 1

10 9 8 7 6 5 4 3 2 1

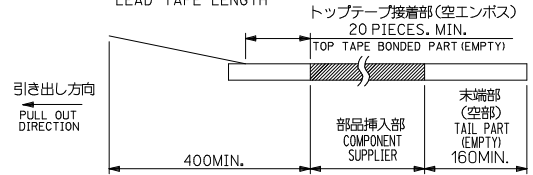


NOTES

1. 製品詳細寸法は製品単体図面を参照して下さい。
FOR DETAIL OF CONNECTOR DIMENSIONS, PLEASE SEE THE DRAWING OF CONNECTOR ITSELF (NOT PACKAGED).

2. 梱包数量 : 1700 個/リール
NUMBER OF CONNECTORS : 1700PIECES/REEL

3. リードテープ長さ
LEAD TAPE LENGTH



4. 材料

MATERIAL
キャリアテープ : ポリプロピレン
CARRIER TAPE : POLYPROPYLENE
トップテープ : PET、PE、REF
TOP TAPE
リール : ポリスチレン<リサイクル材を含む>
REEL : POLYSTYRENE <RECYCLE MATERIAL CONTAINED>

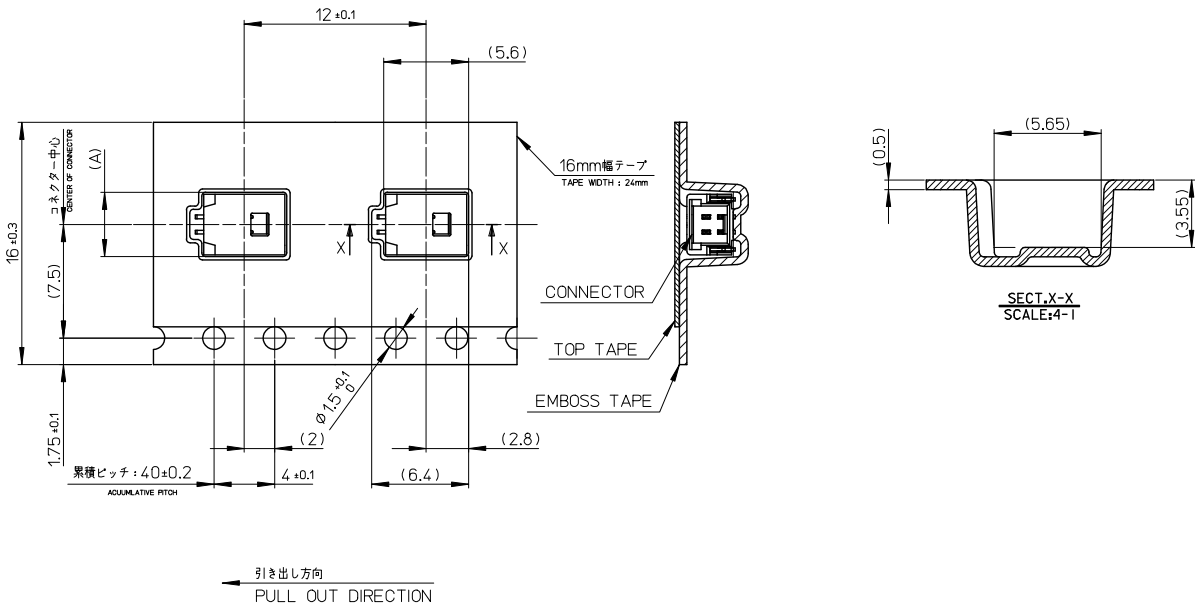
5. ELV及びRoHS適合品。
ELV AND RoHS COMPLIANT.

6. 本製品は乾燥剤入り、ハイバリア梱包仕様である。
(501568-0607~1507以外)
THIS PRODUCT IS HIGH BARRIER PACKAGE WITH DESICCANT.
(BESIDES 501568-0607~1507)

REVISED EC NO: J2014-1558 DRAWN BY: DRW:RHHORI CHKD: CHIKD: APPR:NIKIITA REV: C	2014/04/15 DESCRIPTION 2014/04/16	GENERAL TOLERANCES (UNLESS SPECIFIED)		DIMENSION STYLE MM ONLY		SCALE ---	DESIGN UNITS METRIC	THIRD ANGLE PROJECTION
	10 UNDER	± 0.2	DRAWN BY	DATE	TITLE	1.0 WIRE TO BOARD CONN. WAFER ASS'Y (1-ROW R/A) EMBTP PKG molex DOCUMENT NO. SD-501568-005 SHEET NO. 1 OF 3		
	10 OVER 30 UNDER	± 0.25	CHECKED BY	DATE				
	30 OVER	± 0.3	APPROVED BY	DATE				
ANGULAR	± 1 °	MATERIAL NO.						
DRAFT WHERE APPLICABLE MUST REMAIN WITHIN DIMENSIONS		SEE SHEET 2,3		THIS DRAWING CONTAINS INFORMATION THAT IS PROPRIETARY TO MOLEX INCORPORATED AND SHOULD NOT BE USED WITHOUT WRITTEN PERMISSION				

9 8 7 6 5 4 3 2

10 9 8 7 6 5 4 3 2 1



7.3	501568-0507	5
6.3	501568-0407	4
5.3	501568-0307	3
4.3	501568-0207	2
(A)	MATERIAL NO.	CKTS.

REVISED EC NO: J2014-1558 DRAWN BY: CHIKO CHKD: CHIKO APPROVED BY: CHIKO DATE: 2014/04/15	DESCRIPTION 2014/04/16	GENERAL TOLERANCES (UNLESS SPECIFIED)		DIMENSION STYLE MM ONLY		SCALE ---	DESIGN UNITS METRIC	THIRD ANGLE PROJECTION	
		10 UNDER	± 0.2	DRAWN BY AMIZUMURA	DATE 2005/1/26	TITLE 1.0 WIRE TO BOARD CONN. WAFER ASS'Y (1-ROW R/A) EMBTP PKG			
		10 OVER 30 UNDER	± 0.25	CHECKED BY MYAGI	DATE 2005/11/26	molex			
		30 OVER	± 0.3	APPROVED BY ANODA	DATE 2005/11/26				
ANGULAR ± 3 °		DRAFT WHERE APPLICABLE MUST REMAIN WITHIN DIMENSIONS		MATERIAL NO. SEE CHART		DOCUMENT NO. SD-501568-005		SHEET NO. 2 OF 3	
SIZE A3 THIS DRAWING CONTAINS INFORMATION THAT IS PROPRIETARY TO MOLEX INCORPORATED AND SHOULD NOT BE USED WITHOUT WRITTEN PERMISSION									

9 8 7 6 5 4 3 2 1

10 9 8 7 6 5 4 3 2 1

紫 VIOLET	橙 ORANGE	茶 BROWN	緑 GREEN	青 BLUE	黄 YELLOW	赤 RED	色 COLOR
501568-0597	501568-0587	501568-0577	501568-0567	501568-0547	501568-0537	501568-0527	5
501568-0497	501568-0487	501568-0477	501568-0467	501568-0447	501568-0437	501568-0427	4
501568-0397	501568-0387	501568-0377	501568-0367	501568-0347	501568-0337	501568-0327	3
501568-0297	501568-0287	501568-0277	501568-0267	501568-0247	501568-0237	501568-0227	2
PLASTIG BAG PACKAGE オーダー番号 ORDER NO.	PLASTIG BAG PACKAGE オーダー番号 ORDER NO.	PLASTIG BAG PACKAGE オーダー番号 ORDER NO.	PLASTIG BAG PACKAGE オーダー番号 ORDER NO.	PLASTIG BAG PACKAGE オーダー番号 ORDER NO.	PLASTIG BAG PACKAGE オーダー番号 ORDER NO.	PLASTIG BAG PACKAGE オーダー番号 ORDER NO.	PKT. CONNECTOR SERIES NO.

白 WHITE	色 COLOR
501568-0507	5
501568-0407	4
501568-0307	3
501568-0207	2
PLASTIG BAG PACKAGE オーダー番号 ORDER NO.	PKT. CONNECTOR SERIES NO.

REVISED EC NO. J2014-1558 DRAWN BY: RHORI 2014/04/15 CHECKED BY: CHIKDKASAKAWA 2014/04/15 APPROVED BY: NUKITA 2014/04/16	GENERAL TOLERANCES (UNLESS SPECIFIED)		DIMENSION STYLE MM ONLY		SCALE ---	DESIGN UNITS METRIC	THIRD ANGLE PROJECTION
	10 UNDER	± 0.2	DRAWN BY	DATE	TITLE		
	10 OVER 30 UNDER	± 0.25	CHECKED BY	DATE	1.0 WIRE TO BOARD CONN. WAFER ASS'Y (1-ROW R/A) EMBTP PKG molex		
	30 OVER	± 0.3	APPROVED BY	DATE			
ANGULAR ± 3 °		MATERIAL NO.		DOCUMENT NO.		SHEET NO.	
DRAFT WHERE APPLICABLE MUST REMAIN WITHIN DIMENSIONS		SEE CHART		SD-501568-005		3 OF 3	
SIZE A3 THIS DRAWING CONTAINS INFORMATION THAT IS PROPRIETARY TO MOLEX INCORPORATED AND SHOULD NOT BE USED WITHOUT WRITTEN PERMISSION							

9 8 7 6 5 4 3 2 1