

Excellent Integrated System Limited

Stocking Distributor

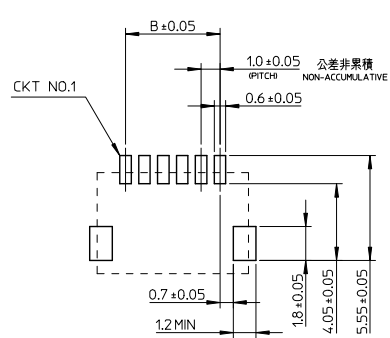
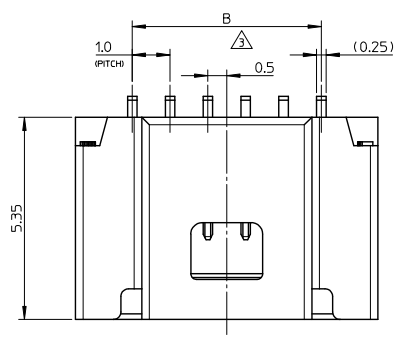
Click to view price, real time Inventory, Delivery & Lifecycle Information:

[Molex Connector Corporation](#)
[501568-0807](#)

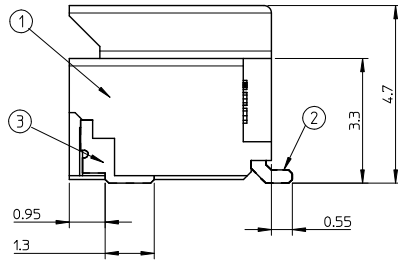
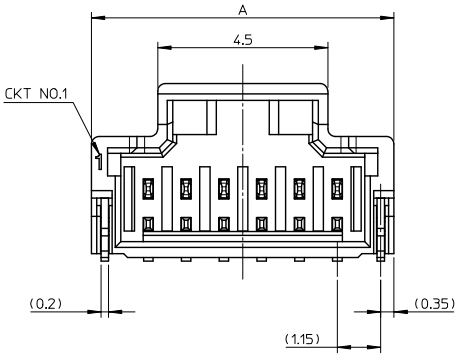
For any questions, you can email us directly:

sales@integrated-circuit.com

10 9 8 7 6 5 4 3 2 1



参考パターンレイアウト
RECOMMENDED PATTERN (DMPREF)
SCALE:5-1



番号 NO.	部品 PART	材質 MATERIAL
①	ウエハー WAFER	耐熱ナイロン、UL94V-0 HEAT RESISTANCE NYLON, UL94V-0
②	ソルダーピン SOLDER PIN	リン青銅 PHOSPHOR BRONZE メッキ : 1 MICRO METER MINIMUM. TIN PLATING ニッケル下地メッキ : 1 MICRO METER MINIMUM. NICKEL UNDER PLATING
③	ネイル NAIL	黄銅 BRASS メッキ : 1 MICRO METER MINIMUM. TIN PLATING ニッケル下地メッキ : 1 MICRO METER MINIMUM. NICKEL UNDER PLATING

14.0	17.0	15
13.0	16.0	14
12.0	15.0	13
11.0	14.0	12
10.0	13.0	11
9.0	12.0	10
8.0	11.0	9
7.0	10.0	8
6.0	9.0	7
5.0	8.0	6
B	A	極数 CIRCUITS

NOTES

1. かん合相手 : 501330-****
MATE WITH : 501330-****
2. ソルダーピン及びネイルの平坦度は0.1MAX.
SOLDER PIN AND NAIL COPLANARITY TO BE 0.1MAX.
- △ 極数 = 偶数に適用
APPLY FOR CKT SIZE=EVEN
4. 2~5極は、SD-501568-001を参照下さい。
REFER TO SD-501568-001 ABOUT 2-5CKT.
5. ELV AND RoHS COMPLIANT.

REVISED EC NO. J2010-0339 DRAWN: TMAKAGAWA01 2009/09/01 CHKD: HATSUMOTO 2009/09/01 APPR: HIRATA 2009/09/01	GENERAL TOLERANCES (UNLESS SPECIFIED)		DIMENSION STYLE	SCALE	CONNECTOR SERIES No. 501568-***9
	10 UNDER ± 0.2		MM ONLY	10:1	DESIGN UNITS METRIC
	10 OVER 30 UNDER ± 0.25		DRAWN BY DATE	TITLE	THIRD ANGLE PROJECTION
	30 OVER ± 0.3		CHECKED BY DATE	1.0 WIRE TO BOARD CONN. 1-ROW R/A WAFER ASSY 6-15CKT	
ANGULAR ± 3 °		APPROVED BY DATE	MATERIAL NO.	DOCUMENT NO.	SHEET NO.
DRAFT WHERE APPLICABLE MUST REMAIN WITHIN DIMENSIONS		ANODA 2005/01/19	SEE SHEET 2	SD-501568-002	1 OF 2
THIS DRAWING CONTAINS INFORMATION THAT IS PROPRIETARY TO MOLEX INCORPORATED AND SHOULD NOT BE USED WITHOUT WRITTEN PERMISSION					

10 9 8 7 6 5 4 3 2 1

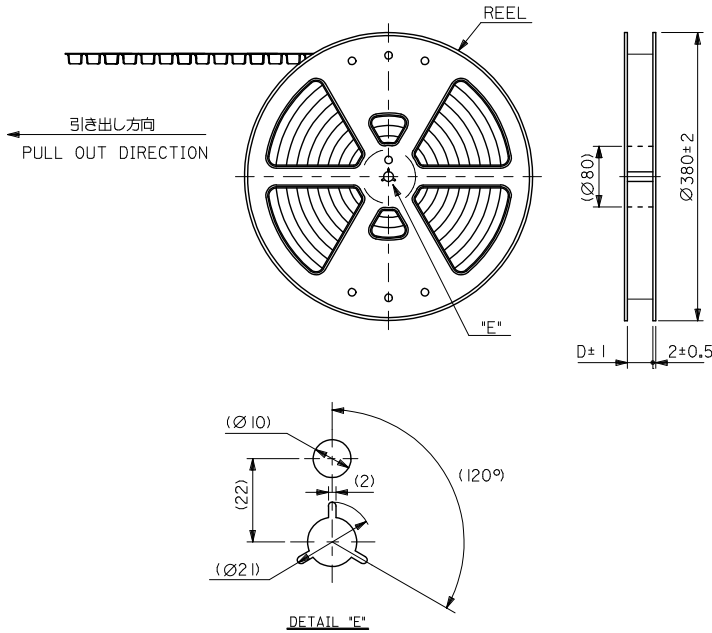
紫 PA46 VIOLET	橙 PA46 ORANGE	茶 PA46 BROWN	緑 PA46 GREEN	色 COLOR
501568-1597	501568-1587	501568-1577	501568-1567	15
501568-1497	501568-1487	501568-1477	501568-1467	14
501568-1397	501568-1387	501568-1377	501568-1367	13
501568-1297	501568-1287	501568-1277	501568-1267	12
501568-1197	501568-1187	501568-1177	501568-1167	11
501568-1097	501568-1087	501568-1077	501568-1067	10
501568-0997	501568-0987	501568-0977	501568-0967	9
501568-0897	501568-0887	501568-0877	501568-0867	8
501568-0797	501568-0787	501568-0777	501568-0767	7
501568-0697	501568-0687	501568-0677	501568-0667	6
EMBOSSED PACKAGE	EMBOSSED PACKAGE	EMBOSSED PACKAGE	EMBOSSED PACKAGE	極数
オーダー番号 ORDER NO.	オーダー番号 ORDER NO.	オーダー番号 ORDER NO.	オーダー番号 ORDER NO.	CIRCUITS

青 PA46 BLUE	黄 PA46 YELLOW	赤 PA46 RED	黒 PA46 BLACK	自然色 PA6T NATURAL	色 COLOR
501568-1547	501568-1537	501568-1527		501568-1507	15
501568-1447	501568-1437	501568-1427		501568-1407	14
501568-1347	501568-1337	501568-1327		501568-1307	13
501568-1247	501568-1237	501568-1227		501568-1207	12
501568-1147	501568-1137	501568-1127		501568-1107	11
501568-1047	501568-1037	501568-1027		501568-1007	10
501568-0947	501568-0937	501568-0927	501568-0917	501568-0907	9
501568-0847	501568-0837	501568-0827	501568-0817	501568-0807	8
501568-0747	501568-0737	501568-0727		501568-0707	7
501568-0647	501568-0637	501568-0627	501568-0617	501568-0607	6
EMBOSSED PACKAGE	EMBOSSED PACKAGE	EMBOSSED PACKAGE	EMBOSSED PACKAGE	EMBOSSED PACKAGE	極数
オーダー番号 ORDER NO.	オーダー番号 ORDER NO.	オーダー番号 ORDER NO.	オーダー番号 ORDER NO.	オーダー番号 ORDER NO.	CIRCUITS

CONNECTOR SERIES No. 501568-***9

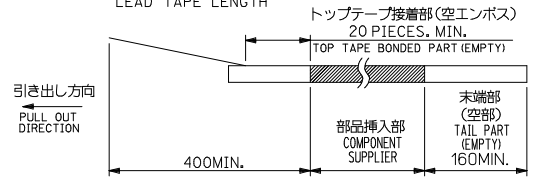
REVISED EC NO. J2010-0339 DRAWN: TAKAGAWA01 2009/09/01 CHECKED: MATSUMOTO 2009/09/01 APPR: HIRATA 2009/09/01	GENERAL TOLERANCES (UNLESS SPECIFIED)		DIMENSION STYLE	SCALE	DESIGN UNITS	THIRD ANGLE PROJECTION	
			MM ONLY	1:1	METRIC		
	10 UNDER ± 0.2		10 OVER 30 UNDER ± 0.25	DRAWN BY DATE	TITLE		
	30 OVER ± 0.3		ANGULAR ± 3°	AMI ZUMURA 2005/01/19	1.0 WIRE TO BOARD CONN. 1-ROW R/A WAFER ASSY 6-15CKT		
DRAFT WHERE APPLICABLE MUST REMAIN WITHIN DIMENSIONS		APPROVED BY DATE	MYAGI 2005/01/19	MOLEX INCORPORATED			
		MATERIAL NO.	ANODA 2005/01/19	SD-501568-002			
		SIZE	SEE TABLE	SHEET NO. 2 OF 2			
		THIS DRAWING CONTAINS INFORMATION THAT IS PROPRIETARY TO MOLEX INCORPORATED AND SHOULD NOT BE USED WITHOUT WRITTEN PERMISSION					

10 9 8 7 6 5 4 3 2 1

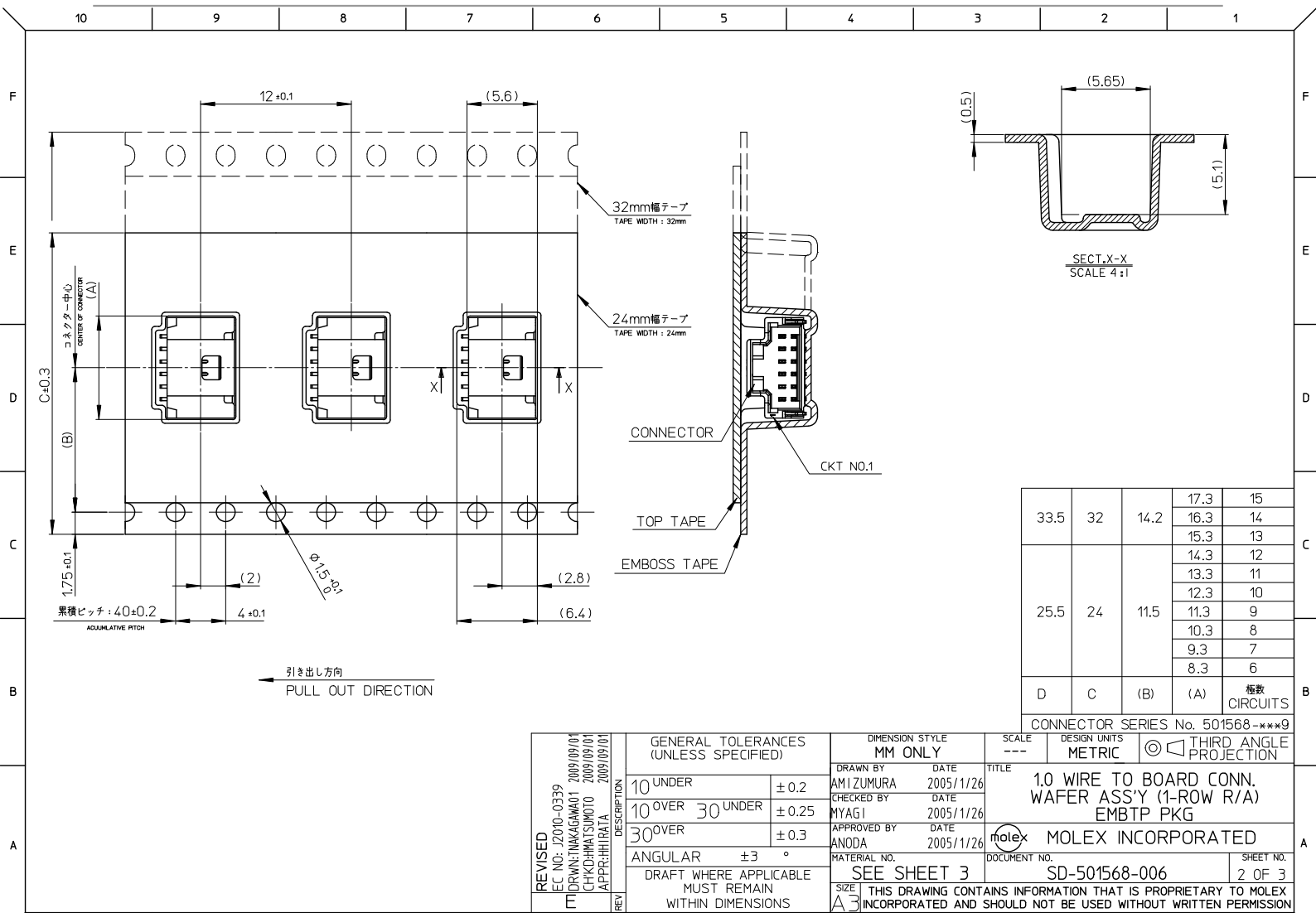


NOTES

- 製品詳細寸法は製品単体図面を参照して下さい。
FOR DETAIL OF CONNECTOR DIMENSIONS, PLEASE SEE THE DRAWING OF CONNECTOR ITSELF (NOT PACKAGED).
- 梱包数量: 1300 個/リール
NUMBER OF CONNECTORS: 1300 PIECES/REEL
- リードテープ長さ
LEAD TAPE LENGTH
トッパートープ接着部 (空エンボス)
20 PIECES, MIN.
TOP TAPE BONDED PART (EMPTY)
部品挿入部
COMPONENT SUPPLIER
末端部 (空部)
TAIL PART (EMPTY)
160MIN.
400MIN.
- 材料
MATERIAL
キャリアテープ: ポリプロピレン
CARRIER TAPE: POLYPROPYLENE
トッパートープ: PET, PE, REF
TOP TAPE
リール: ポリスチレン (リサイクル材を含む)
REEL: POLYSTYRENE (RECYCLE MATERIAL CONTAINED)
- ELV AND RoHS COMPLIANT.
- ハイバリア梱包 (シリカゲル入り) 対応品である。(501568-**07 除く)
THIS PRODUCT IS HIGH BARRIER PACKAGE. (WITH SILICAGEL) (BESIDES 501568-**07)
- 開梱後の保管条件に注意のこと。(ハイバリア品対象: PS-501568-001 参照)
REFER TO PS-501568-001 (HIGH BARRIER PRODUCT) FOR CONDITIONS AFTER OPEN.



REVISED EC NO: J2010-0339 DRAWN: TAKAGAWA01 2009/09/01 CHKD: MATSUMOTO 2009/09/01 APPR: HIRATA 2009/09/01	GENERAL TOLERANCES (UNLESS SPECIFIED)		DIMENSION STYLE	SCALE	DESIGN UNITS	THIRD ANGLE PROJECTION	
			MM ONLY	---	METRIC		
	DESCRIPTION	10 UNDER	± 0.2	DRAWN BY	DATE	TITLE	1.0 WIRE TO BOARD CONN. WAFER ASS'Y (1-ROW R/A) EMBTP PKG MOLEX INCORPORATED
		10 OVER 30 UNDER	± 0.25	AMIZUMURA	2005/11/26		
	30 OVER	± 0.3	CHECKED BY	DATE			
	ANGULAR	± 1 °	MYAGI	2005/11/26			
	DRAFT WHERE APPLICABLE MUST REMAIN WITHIN DIMENSIONS		APPROVED BY	DATE			
			ANODA	2005/11/26			
			MATERIAL NO.	SEE SHEET 3	DOCUMENT NO.		
			SIZE	A3			
			THIS DRAWING CONTAINS INFORMATION THAT IS PROPRIETARY TO MOLEX INCORPORATED AND SHOULD NOT BE USED WITHOUT WRITTEN PERMISSION				



REVISED IEC NO. J2010-0339 DRAWN: TAKAGAWA01 2009/09/01 CHIKDHATSUMOTO 2009/09/01 APPR: HIRATA 2009/09/01	GENERAL TOLERANCES (UNLESS SPECIFIED)		DIMENSION STYLE MM ONLY		SCALE ---	DESIGN UNITS METRIC	THIRD ANGLE PROJECTION
	10 UNDER	± 0.2	DRAWN BY AMIZUMURA	DATE 2005/11/26	TITLE 1.0 WIRE TO BOARD CONN. WAFER ASS'Y (1-ROW R/A) EMBTP PKG		
	10 OVER 30 UNDER	± 0.25	CHECKED BY MYAGI	DATE 2005/11/26	MOLEX INCORPORATED		
	30 OVER	± 0.3	APPROVED BY ANODA	DATE 2005/11/26	DOCUMENT NO. SD-501568-006		
	ANGULAR ± 3 °	DRAFT WHERE APPLICABLE MUST REMAIN WITHIN DIMENSIONS		MATERIAL NO. SEE SHEET 3	SHEET NO. 2 OF 3		
THIS DRAWING CONTAINS INFORMATION THAT IS PROPRIETARY TO MOLEX INCORPORATED AND SHOULD NOT BE USED WITHOUT WRITTEN PERMISSION							

10 9 8 7 6 5 4 3 2 1

紫 VIOLET	橙 ORANGE	茶 BROWN	緑 GREEN	色 COLOR
501568-1597	501568-1587	501568-1577	501568-1567	15
501568-1497	501568-1487	501568-1477	501568-1467	14
501568-1397	501568-1387	501568-1377	501568-1367	13
501568-1297	501568-1287	501568-1277	501568-1267	12
501568-1197	501568-1187	501568-1177	501568-1167	11
501568-1097	501568-1087	501568-1077	501568-1067	10
501568-0997	501568-0987	501568-0977	501568-0967	9
501568-0897	501568-0887	501568-0877	501568-0867	8
501568-0797	501568-0787	501568-0777	501568-0767	7
501568-0697	501568-0687	501568-0677	501568-0667	6
EMBOSSED PACKAGE	EMBOSSED PACKAGE	EMBOSSED PACKAGE	EMBOSSED PACKAGE	極数
オーダー番号 ORDER NO.	オーダー番号 ORDER NO.	オーダー番号 ORDER NO.	オーダー番号 ORDER NO.	CIRCUTIS

CONNECTOR SERIES No. 501568-***9

青 BLUE	黄 YELLOW	赤 RED	黒 BLACK	自然色 NATURAL	色 COLOR
501568-1547	501568-1537	501568-1527		501568-1507	15
501568-1447	501568-1437	501568-1427		501568-1407	14
501568-1347	501568-1337	501568-1327		501568-1307	13
501568-1247	501568-1237	501568-1227		501568-1207	12
501568-1147	501568-1137	501568-1127		501568-1107	11
501568-1047	501568-1037	501568-1027		501568-1007	10
501568-0947	501568-0937	501568-0927	501568-0917	501568-0907	9
501568-0847	501568-0837	501568-0827	501568-0817	501568-0807	8
501568-0747	501568-0737	501568-0727		501568-0707	7
501568-0647	501568-0637	501568-0627	501568-0617	501568-0607	6
EMBOSSED PACKAGE	EMBOSSED PACKAGE	EMBOSSED PACKAGE	EMBOSSED PACKAGE	EMBOSSED PACKAGE	極数
オーダー番号 ORDER NO.	オーダー番号 ORDER NO.	オーダー番号 ORDER NO.	オーダー番号 ORDER NO.	オーダー番号 ORDER NO.	CIRCUTIS

CONNECTOR SERIES No. 501568-***9

REVISED IEC NO. J2010-0339 DRAWN: TAKAGAWA01 2009/09/01 CHKD: MATSUMOTO 2009/09/01 APPR: HIRATA 2009/09/01	GENERAL TOLERANCES (UNLESS SPECIFIED)		DIMENSION STYLE		SCALE	DESIGN UNITS	THIRD ANGLE PROJECTION
			MM ONLY		---	METRIC	
	10 UNDER	± ---	DRAWN BY	DATE	TITLE		
	10 OVER 30 UNDER	± ---	AMIZUMURA	2005/11/26	1.0 WIRE TO BOARD CONN. WAFER ASS'Y (1-ROW R/A) EMBTP PKG		
30 OVER	± ---	CHECKED BY	DATE	MOLEX INCORPORATED			
ANGULAR ± --- °		MYAGI	2005/11/26				
DRAFT WHERE APPLICABLE MUST REMAIN WITHIN DIMENSIONS		APPROVED BY	DATE	MATERIAL NO.	DOCUMENT NO.	SHEET NO.	
		ANODA	2005/11/26	SEE TABLE	SD-501568-006	3 OF 3	
		THIS DRAWING CONTAINS INFORMATION THAT IS PROPRIETARY TO MOLEX INCORPORATED AND SHOULD NOT BE USED WITHOUT WRITTEN PERMISSION					