



Distributor of Molex Connector Corporation: Excellent Integrated System Limited
Datasheet of 0847290009 - Connector Receptacle USB TypeA 4 Position Panel Mount,
Bulkhead

Contact us: sales@integrated-circuit.com Website: www.integrated-circuit.com

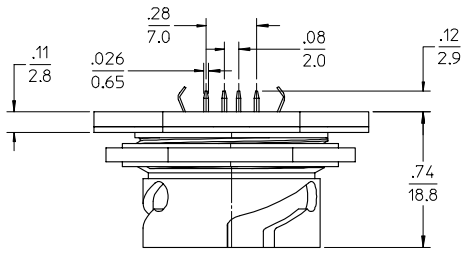
Excellent Integrated System Limited

Stocking Distributor

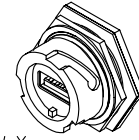
Click to view price, real time Inventory, Delivery & Lifecycle Information:

[Molex Connector Corporation](#)
[0847290009](#)

For any questions, you can email us directly:
sales@integrated-circuit.com

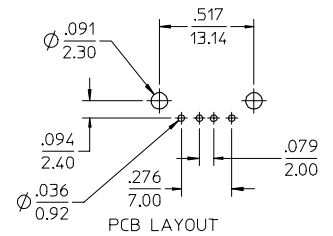
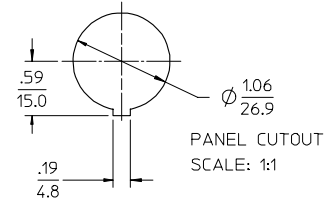
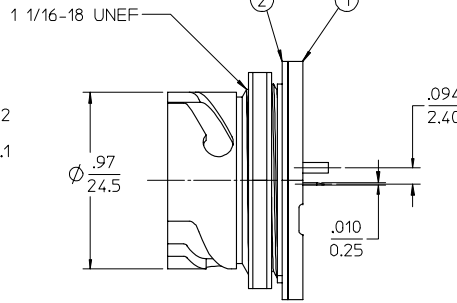
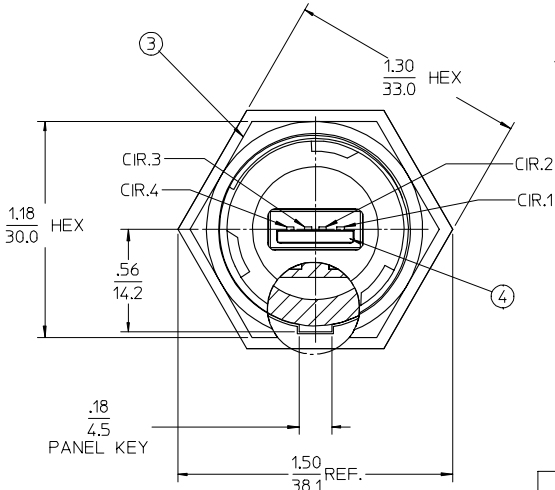
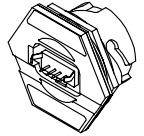


NOTES:
 1. MATERIAL: SEE TABLE
 2. FINISHES: SEE TABLE
 3. MATES WITH: INDUSTRY STD. BAYONET LOCKING
 USB TYPE A
 4. MAX PANEL THICKNESS .10



AUX.VIEW X
SCALE 1:1

AUX.VIEW Y
SCALE 1:1



4	1	USB-A RECEPTACLE, PCB TYPE	VENDOR SPEC.	NI PLATED CONTACTS
3	1	LOCK-NUT	PA	BLACK
2	1	GASKET SEAL	NEOPRENE	BLACK
1	1	USB RECEPTACLE, PANEL MOUNT	PBT	BLACK
ITEM	QTY	DESCRIPTION	MATERIAL	FINISH

RELEASE TO BUILD EC NO: ETC2006-0180 DRAINERSTONE 2006/01/11 CHYKOR.DERROSS 2006/01/12 APPROVED 2006/01/13	QUALITY SYMBOLS ▽=0 ▽=0	GENERAL TOLERANCES (UNLESS SPECIFIED)		DIMENSION STYLE IN/MM		SCALE 2:1	DESIGN UNITS INCH	THIRD ANGLE PROJECTION
		4 PLACES ± .005	3 PLACES ± .005	2 PLACES ± 0.13	1 PLACE ± 0.25	mm	INCH	
DRAFT WHERE APPLICABLE MUST REMAIN WITHIN DIMENSIONS	MATERIAL NO. 847290009	DRAWN BY R. STONE		DATE 05-11-21		TITLE RECEPTACLE, PANEL MT. USB-A, PCB STYLE		
		CHECKED BY R. DERROSS		DATE 06-01-05				
DOCUMENT NO. SD-84729-004		SHEET NO. 1 OF 1		MOLEX INCORPORATED				
THIS DRAWING CONTAINS INFORMATION THAT IS PROPRIETARY TO MOLEX INCORPORATED AND SHOULD NOT BE USED WITHOUT WRITTEN PERMISSION								