

Excellent Integrated System Limited

Stocking Distributor

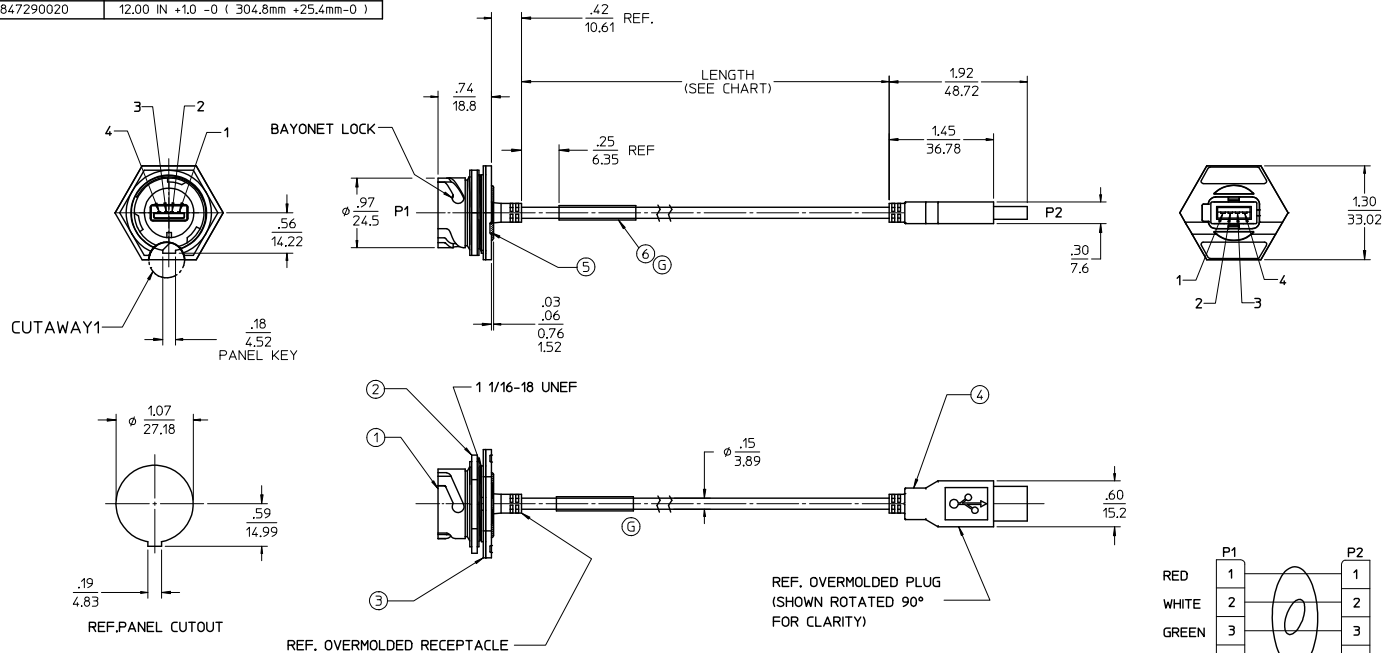
Click to view price, real time Inventory, Delivery & Lifecycle Information:

[Molex Connector Corporation](#)
[0847290006](#)

For any questions, you can email us directly:

sales@integrated-circuit.com

MATERIAL NO.	LENGTH
847290003	6.00 IN +.47 -0 (152.0mm +12mm-0)
847290004	31.88 IN +1.00-0 (810.0mm +25.4mm-0)
847290005	51.57 IN +1.00-0 (1310.0mm +25.4mm-0)
847290006	81.89 IN +1.57-0 (2080.0mm +40.0mm-0)
847290007	131.10 IN +3.15-0 (3330mm +80.0mm-0)
847290008	196.90 IN +3.94-0 (5000mm +100.0mm-0)
847290011	3.00 IN +.47 -0 (76.2mm +12mm-0)
847290020	12.00 IN +1.0 -0 (304.8mm +25.4mm-0)

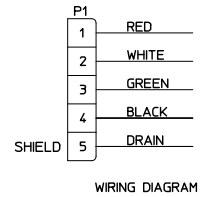
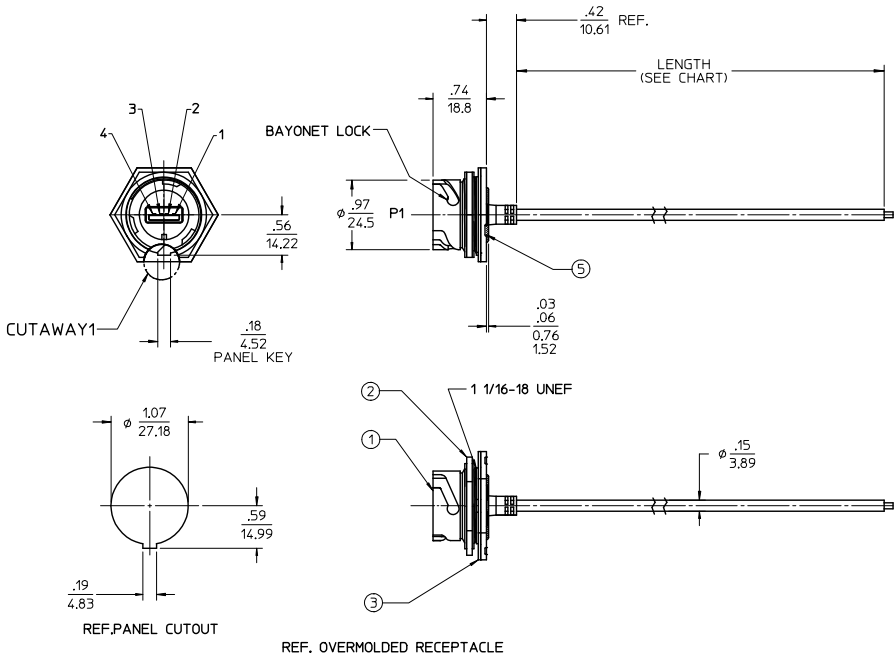


- NOTES:
1. MATERIAL: SEE TABLE
 2. FINISHES: SEE TABLE
 3. CABLE MATERIAL:
OVERMOLD & JACKET: PVC
SHELL: PHOSPHOR BRONZE, NI PLATED
CONTACTS: PHOSPHOR BRONZE, GOLD PLATED
WIRE: 28 AWG
 4. ASSEMBLY IS ROHS COMPLIANT

ITEM	QTY.	DESCRIPTION	MATERIAL	FINISH
6	1	WRAP LABEL	VINYL	YELLOW/BLACK
5	A/R	POTTING COMPOUND	EPOXY	BLACK
4	1	USB-A CABLE SUB-ASSEMBLY, SHIELDED	AS NOTED	AS NOTED
3	1	PANEL GASKET	NEOPRENE	BLACK
2	1	LOCKNUT	NYLON PA66, UL94HB	BLACK
1	1	RECEPTACLE HOUSING	PBT, UL94 V-0	BLACK

ADDED LABEL EC NO: IFG2015-0785 DRAWING: GUSTAFSON 2014/10/28 CHK: ROBERT 2014/11/30 APPR: BOWDMAN 2014/12/02 DESCRIPTION: USB-A CABLE SUB-ASSEMBLY, SHIELDED	QUALITY SYMBOLS ▽=0 ▽=0	GENERAL TOLERANCES (UNLESS SPECIFIED) mm INCH 4 PLACES ± --- ± --- 3 PLACES ± --- ± --- 2 PLACES ± --- ± .01 1 PLACE ± 0.25 ± --- ANGULAR ± 1/2°	DIMENSION STYLE IN/MM DRAWN BY: R. STONE DATE: 2007/02/15 CHECKED BY: J. MACNEIL DATE: 2007/02/20 APPROVED BY: J. MACNEIL DATE: 2007/02/20	SCALE: 1:1 DESIGN UNITS: INCH THIRD ANGLE PROJECTION	TITLE: USB-A CORD ASSEMBLY PLUG & RECEPTACLE
		DRAFT WHERE APPLICABLE MUST REMAIN WITHIN DIMENSIONS	MATERIAL NO.: SEE CHART SIZE: C	MOLEX INCORPORATED DOCUMENT NO.: SD-84729-006 SHEET NO.: 1 OF 1	

MATERIAL NO.	LENGTH
847290010	6.00 IN +.47 -0 (152.0mm +12-0)



CUSTOMER PRODUCTION APPROVAL
 APPROVED BY: _____
 DATE: _____
 MUST BE SIGNED AND RETURNED BEFORE
 PRODUCTION WILL BEGIN.

SALES DRAWING

- NOTES:
1. MATERIAL: SEE TABLE
 2. FINISHES: SEE TABLE
 3. MATERIAL:
CABLE: 28AWG, PVC, BLACK
SHELL: PHOSPHOR BRONZE, NI PLATED
CONTACTS: PHOSPHOR BRONZE, GOLD PLATED
 4. ASSEMBLY IS RoHS COMPLIANT
 5. PANEL THICKNESS: .10" MAX

ITEM	QTY.	DESCRIPTION	MATERIAL	FINISH
5		POTTING COMPOUND	EPOXY	BLACK
4	1	USB-A CABLE SUB-ASSEMBLY, SHIELDED	AS NOTED	AS NOTED
3	1	PANEL GASKET	NEOPRENE	BLACK
2	1	LOCKNUT	PBT, UL-94V-0	BLACK
1	1	RECEPTACLE HOUSING	PBT, UL-94V-0	BLACK

UPDATED NOTES EC NO: IFG2016-0788 DRAWING STAFF: SUN 2015/11/23 CHK: BARDEN 2015/12/15 APPR: BOLDMAN 2015/12/16 DESCRIPTION REV	QUALITY SYMBOLS ▽=0 ▽=0	GENERAL TOLERANCES (UNLESS SPECIFIED) <table border="1"> <thead> <tr> <th></th> <th>mm</th> <th>INCH</th> </tr> </thead> <tbody> <tr> <td>4 PLACES</td> <td>± .10</td> <td>± .004</td> </tr> <tr> <td>3 PLACES</td> <td>± .15</td> <td>± .006</td> </tr> <tr> <td>2 PLACES</td> <td>± .25</td> <td>± .010</td> </tr> <tr> <td>1 PLACE</td> <td>± 0.25</td> <td>± .010</td> </tr> </tbody> </table> ANGULAR ±1/2°		mm	INCH	4 PLACES	± .10	± .004	3 PLACES	± .15	± .006	2 PLACES	± .25	± .010	1 PLACE	± 0.25	± .010	DIMENSION STYLE IN/MM DRAWN BY: R. STONE DATE: 2007/02/15 CHECKED BY: J. MACNEIL DATE: 2007/02/20 APPROVED BY: J. MACNEIL DATE: 2007/02/20	SCALE: 1:1 DESIGN UNITS: INCH THIRD ANGLE PROJECTION	TITLE: USB-A CORD ASSEMBLY RECEPTACLE MOLEX INCORPORATED MATERIAL NO. SEE CHART DOCUMENT NO. SD-84729-010 SHEET NO. 1 OF 1
		mm	INCH																	
	4 PLACES	± .10	± .004																	
	3 PLACES	± .15	± .006																	
2 PLACES	± .25	± .010																		
1 PLACE	± 0.25	± .010																		
DRAFT WHERE APPLICABLE MUST REMAIN WITHIN DIMENSIONS		THIS DRAWING CONTAINS INFORMATION THAT IS PROPRIETARY TO MOLEX INCORPORATED AND SHOULD NOT BE USED WITHOUT WRITTEN PERMISSION																		