



Distributor of FCI: Excellent Integrated System Limited

Datasheet of DB13W3PA00LF - D-Sub Connector Plug, Male Pins 13 (10 + 3 Power) Position
Free Hanging (In-Line) Solder Cup

Contact us: sales@integrated-circuit.com Website: www.integrated-circuit.com

Excellent Integrated System Limited

Stocking Distributor

Click to view price, real time Inventory, Delivery & Lifecycle Information:

[FCI](#)

[DB13W3PA00LF](#)

For any questions, you can email us directly:

sales@integrated-circuit.com

Contact us: sales@integrated-circuit.com Website: www.integrated-circuit.com

A

B

C

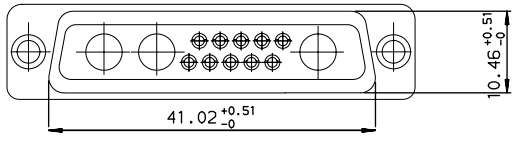
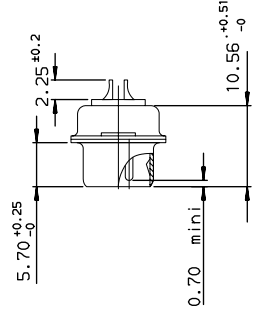
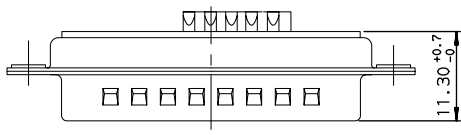
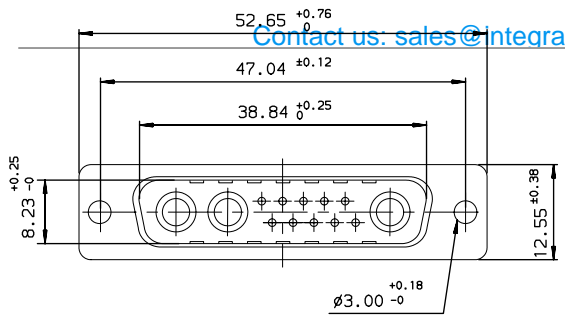
D

A

B

C

D



TIN-LEAD PART NUMBER

DB13W3PA00
PART NUMBER

LEAD FREE PART NUMBER

DB13W3PA00LF
PART NUMBER

GENERAL CHARACTERISTICS AND ROHS INFORMATIONS:
SEE DRAWING C01-8639-0003

European Views

www.fciconnect.com		surface ISO 1302	tolerance std ISO 406 ISO 1101	projection mm																																								
		TOLERANCES UNLESS OTHERWISE SPECIFIED		size A3																																								
Dr JARRY 1995/01/26	Eng PESSON 1995/01/26	ANGULAR	0.X ±0.1	Scale 2																																								
Chr LEGARE 1995/01/26	Appr LEGARE 1995/01/26	0.XX ±2°	0.XXX ±0.1	ECN LS06-0095																																								
		Product family	D-SUB	Spec ref -																																								
<table border="1"> <tr><th>rev</th><th>ecn no</th><th>dr</th><th>date</th></tr> <tr><td>C</td><td>-</td><td>BAR</td><td>2003/10/28</td></tr> <tr><td>D</td><td>LS05-005</td><td>MPE</td><td>2005/03/14</td></tr> <tr><td>E</td><td>LS06-0095</td><td>LGO</td><td>2006/07/21</td></tr> <tr><td>-</td><td>-</td><td>-</td><td>-</td></tr> <tr><td>-</td><td>-</td><td>-</td><td>-</td></tr> <tr><td>-</td><td>-</td><td>-</td><td>-</td></tr> </table>		rev	ecn no	dr	date	C	-	BAR	2003/10/28	D	LS05-005	MPE	2005/03/14	E	LS06-0095	LGO	2006/07/21	-	-	-	-	-	-	-	-	-	-	-	-	<table border="1"> <tr><th>title</th><th>part no</th><th>Rev.</th></tr> <tr><td>PIN CONNECTOR MARK 1 FOR POWERS</td><td>C01-8639-0573</td><td>E</td></tr> <tr><td>CONTACTS</td><td></td><td></td></tr> <tr><td>catalog no</td><td>-</td><td></td></tr> </table>		title	part no	Rev.	PIN CONNECTOR MARK 1 FOR POWERS	C01-8639-0573	E	CONTACTS			catalog no	-		CUSTOMER sheet 1 of 1
rev	ecn no	dr	date																																									
C	-	BAR	2003/10/28																																									
D	LS05-005	MPE	2005/03/14																																									
E	LS06-0095	LGO	2006/07/21																																									
-	-	-	-																																									
-	-	-	-																																									
-	-	-	-																																									
title	part no	Rev.																																										
PIN CONNECTOR MARK 1 FOR POWERS	C01-8639-0573	E																																										
CONTACTS																																												
catalog no	-																																											

Copyright FCI

REV F - 2006-04-17

1

2

PDM: Rev:E

STATUS:Released

Printed: Sep 13, 2006