

Excellent Integrated System Limited

Stocking Distributor

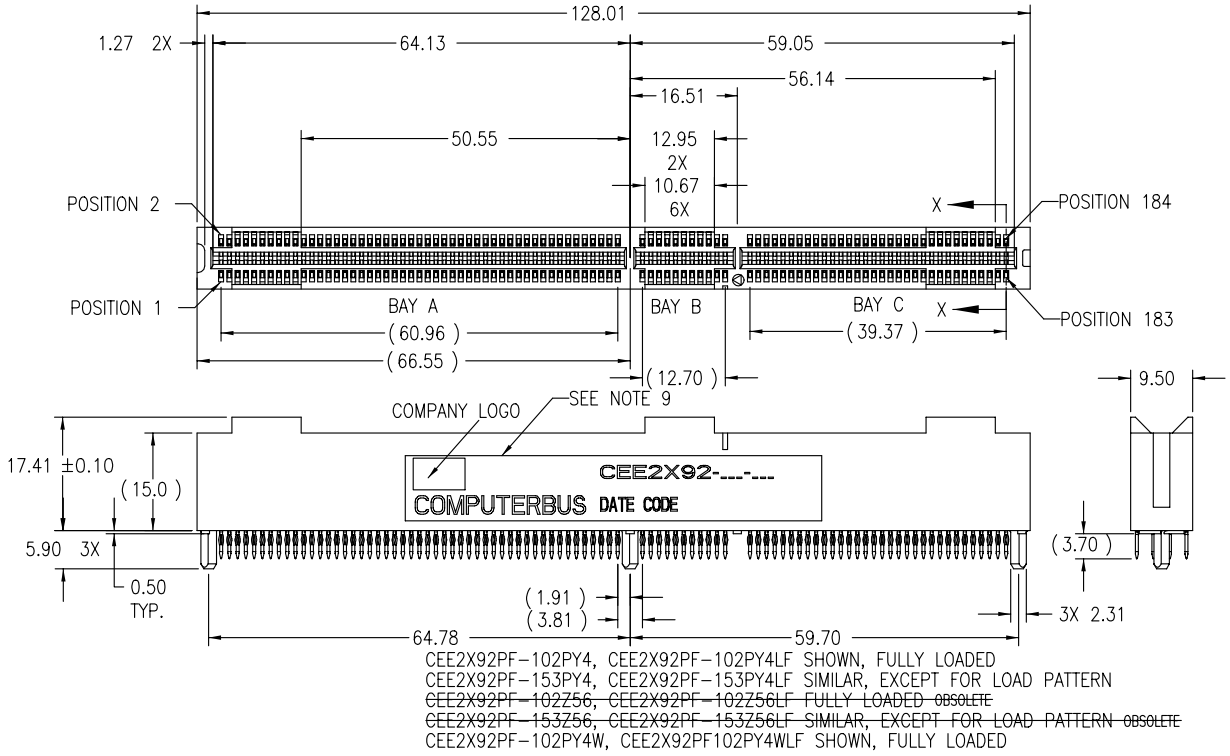
Click to view price, real time Inventory, Delivery & Lifecycle Information:

[FCI](#)
[CEE2X92PF180PY4](#)

For any questions, you can email us directly:

sales@integrated-circuit.com

PRODUCT NUMBER
SEE TABLE



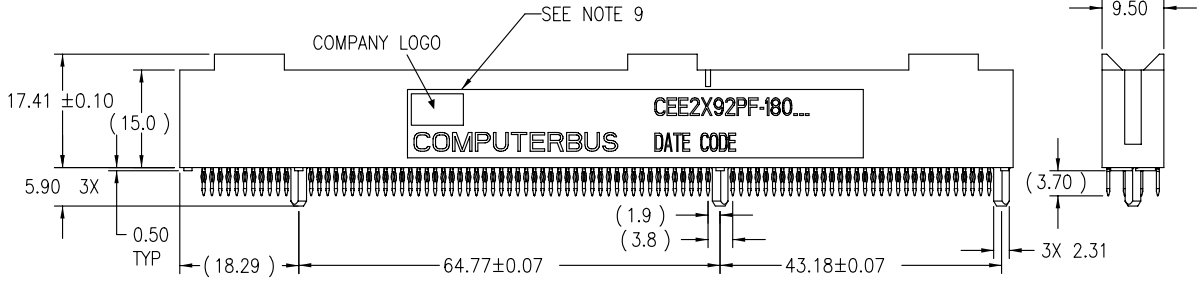
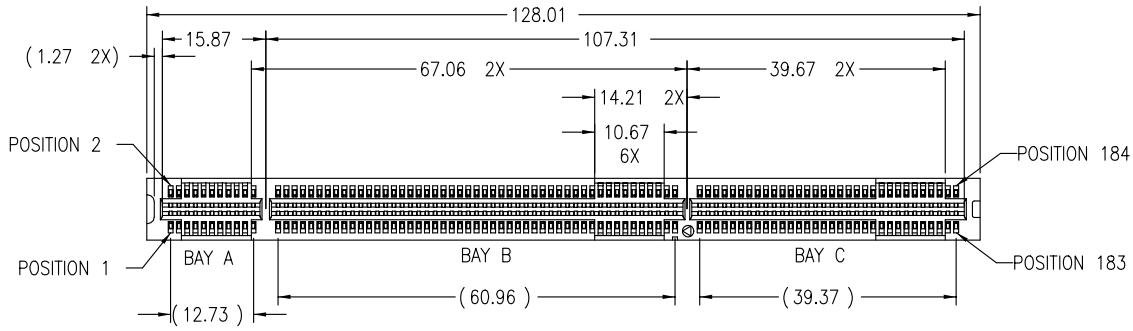
mat'l. code		surface ISO 1302	tolerance ISO 406 ISO 1101	projection	product family CARDEDGE			
lfr	ecn no	dr	date	tolerances unless otherwise specified	title			
AD	M06-0234	AGS	06/16/06	angles linear .X±.2	CEE 2X92 PF CONNECTOR ASSEMBLY			
AE	M06-0328	MHT	8/24/06	.XX±.10				
AF	M06-0427	AGS	10/26/06	0°±1'	scale 6:5			
AG	M06-0448	AGS	11/06/06	dr G. PETERS 9/18/01	dwg no sheet 1 of 7 size SE96947 A3			
AH	M07-0078	MHT	1/25/07	engr D. CASEY 9/21/01				
AJ	M08-0224	MHT	8/13/09	chr G. PETERS 9/18/01	type Product Customer Drawing			
AK	M09-0382	YOH	12/1/09	appd D. CASEY 9/18/01				
sheet	revision	AK	AK	AK	AK	AK	AK	
index	sheet	1	2	3	4	5	6	7

PDM: Rev:AK

STATUS:Released

Printed: Feb 20, 2010

PRODUCT NUMBER
SEE TABLE



CEE2X92PF-180PY4, CEE2X92PF-180PY4LF CONNECTOR SHOWN
CEE2X92PF-180Z56, CEE2X92PF-180Z56LF FULLY LOADED OBSOLETE
CEE2X92PF-180PY4W, CEE2X92PF180PY4WLF CONNECTOR SHOWN

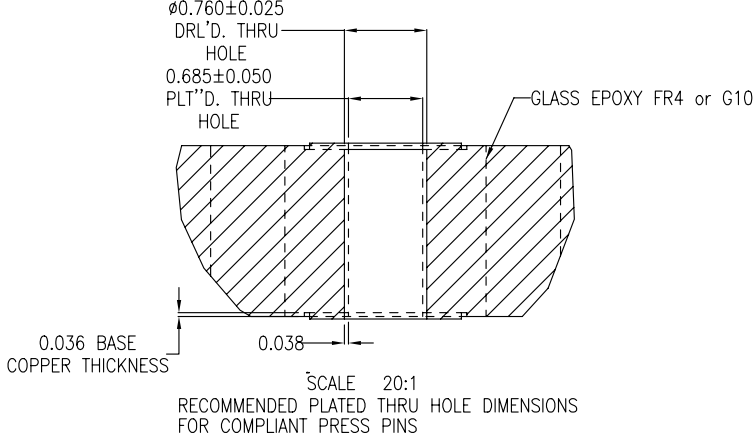
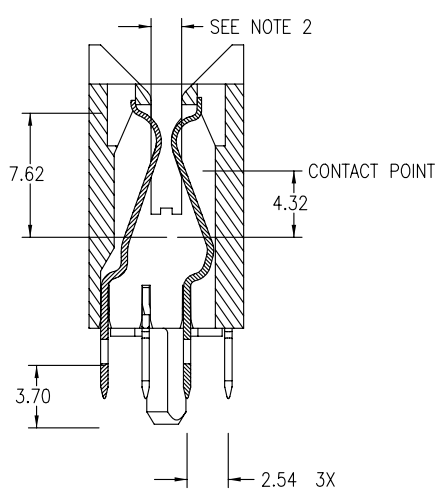
mat'l. code		surface		tolerance		projection		product family	
ISO 1302		ISO 406		ISO 1101		MM		CARDEDGE	
ltr		ecn no		dr		date		title	
AK								CEE 2X92 PF CONNECTOR ASSEMBLY	
angles		linear		.X±.2		.XX±.10		scale 6:5	
0°±1°				.XXX±.050				sheet 2 of 7 size	
dr		G. PETERS		9/18/01				A3	
engr		D. CASEY		9/21/01				SE96947	
chr		G. PETERS		9/18/01				type Product Customer Drawing	
appd		D. CASEY		9/18/01					
sheet index		revision sheet							

PDM: Rev:AK

STATUS: Released

Printed: Feb 20, 2010

FCI CATALOG NO. f/CONNECTORS w/CARD COLLECTORS	CONNECTOR SIZE	NO. CONTACTS LOADED	TERM.	LOAD PATTERN UNPOPULATED POSITIONS	CONTACT PAIRS BAY A	CONTACT PAIRS BAY B	CONTACT PAIRS BAY C	
CEE2X92PF-102PY4	2x92	184	P.F.	FULLY LOADED	49	11	32	
CEE2X92PF-102PY4W	2x92	184	P.F.	FULLY LOADED	49	11	32	
CEE2X92PF-180PY4	2x92	184	P.F.	FULLY LOADED	11	49	32	
CEE2X92PF-180PY4W	2x92	184	P.F.	FULLY LOADED	11	49	32	
CEE2X92PF-153PY4	2x92	159	P.F.	2,4,5,9,10,11,12,13,14,29,30,31,32,51,52,53,54,155,156,157,158,159,160,161,162	49	11	32	
CEE2X92PF-102Z56	2x92	184	P.F.	FULLY LOADED	49	11	32	OBSOLETE
CEE2X92PF-180Z56	2x92	184	P.F.	FULLY LOADED	11	49	32	OBSOLETE
CEE2X92PF-153Z56	2x92	159	P.F.	2,4,5,9,10,11,12,13,14,29,30,31,32,51,52,53,54,155,156,157,158,159,160,161,162	49	11	32	OBSOLETE
CEE2X92PF-102PY4LF	2x92	184	P.F.	FULLY LOADED	49	11	32	
CEE2X92PF102PY4WLF	2x92	184	P.F.	FULLY LOADED	49	11	32	
CEE2X92PF-180PY4LF	2x92	184	P.F.	FULLY LOADED	11	49	32	
CEE2X92PF180PY4WLF	2x92	184	P.F.	FULLY LOADED	11	49	32	
CEE2X92PF-153PY4LF	2x92	159	P.F.	2,4,5,9,10,11,12,13,14,29,30,31,32,51,52,53,54,155,156,157,158,159,160,161,162	49	11	32	
CEE2X92PF-102Z56LF	2x92	184	P.F.	FULLY LOADED	49	11	32	OBSOLETE
CEE2X92PF-180Z56LF	2x92	184	P.F.	FULLY LOADED	11	49	32	OBSOLETE
CEE2X92PF-153Z56LF	2x92	159	P.F.	2,4,5,9,10,11,12,13,14,29,30,31,32,51,52,53,54,155,156,157,158,159,160,161,162	49	11	32	OBSOLETE

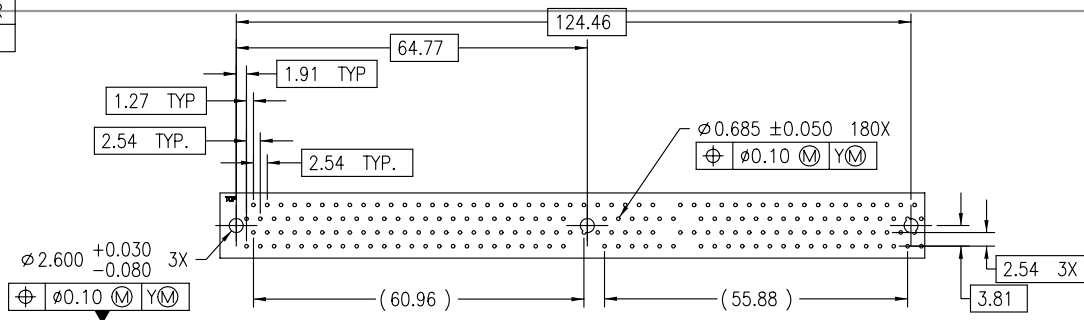


SCALE 20:1
RECOMMENDED PLATED THRU HOLE DIMENSIONS
FOR COMPLIANT PRESS PINS

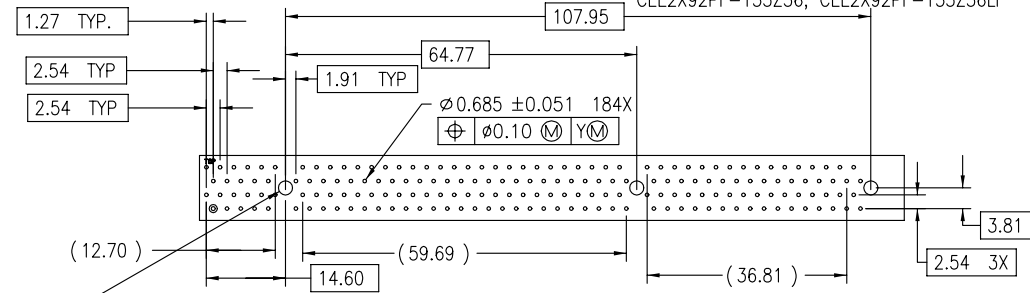
mat'l. code		surface	tolerance	projection	product family
ISO 1302		ISO 406	ISO 1101	MM	CARDEDGE
tolerances unless otherwise specified		.X±.2		scale	6:5
.XX±.10		.XXX±.050			
0°±1°					
dr	G. PETERS	9/18/01			
engr	D. CASEY	9/21/01			
chr	G. PETERS	9/18/01			
appd	D. CASEY	9/18/01			
sheet index	revision sheet				

title		sheet 3 of 7 size	
CEE 2X92 PF CONNECTOR ASSEMBLY		A3	
dwg no		SE96947	
type		Product Customer Drawing	

PRODUCT NUMBER
SEE TABLE



RECOMMENDED BACKPLANE HOLE PATTERN FOR CEE2X92PF-102PY4, CEE2X92PF-102PY4LF
CEE2X92PF-102PY4W, CEE2X92PF-102PY4WLF
CEE2X92PF-153PY4, CEE2X92PF-153PY4LF
CEE2X92PF-102Z56, CEE2X92PF-102Z56LF
CEE2X92PF-153Z56, CEE2X92PF-153Z56LF



RECOMMENDED BACKPLANE HOLE PATTERN FOR CEE2X92PF-180PY4, CEE2X92PF-180PY4LF
CEE2X92PF-180Z56, CEE2X92PF-180Z56LF
CEE2X92PF-180PY4W, CEE2X92PF-180PY4WLF

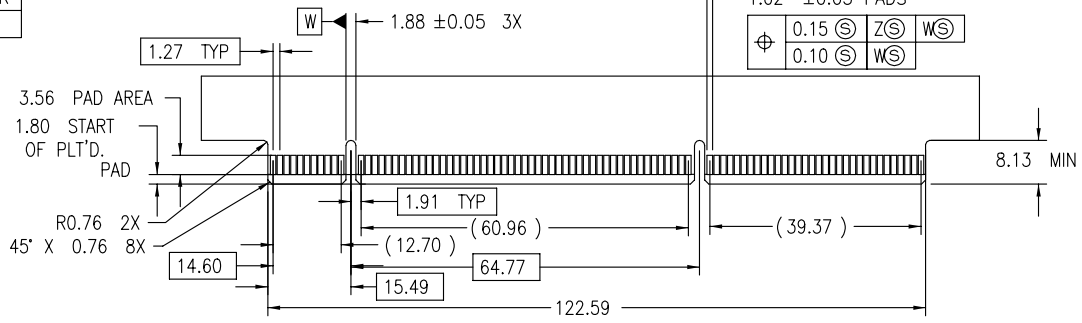
mat'l. code	surface ISO 1302	tolerance ISO 406 ISO 1101	projection MM	product family CARDEDGE
ltr	ecn no	dr	date	title
AK				CEE 2X92 PF CONNECTOR ASSEMBLY
				dwg no sheet 4 of 7 size
				SE96947 A3
				type Product Customer Drawing
sheet index	revision sheet			

PDM: Rev:AK

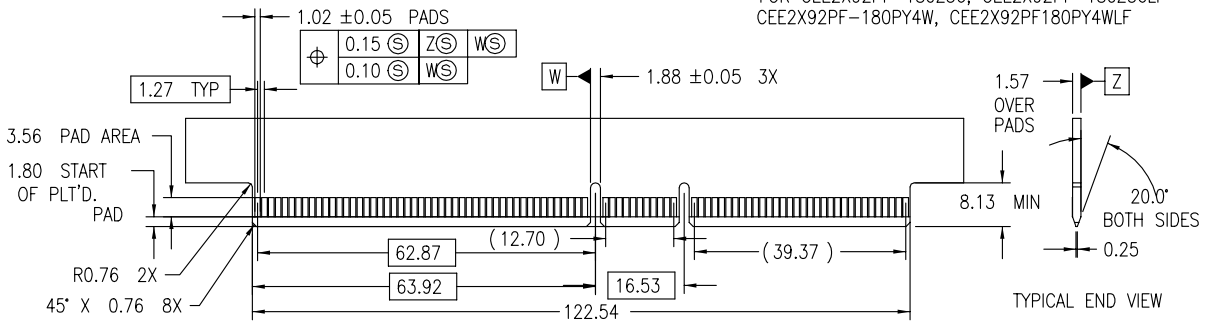
STATUS:Released

Printed: Feb 20, 2010

PRODUCT NUMBER
SEE TABLE



RECOMMENDED BACKPLANE COMPONENT PCB FOR CEE2X92PF-180PY4, CEE2X92PF-180PY4LF
FOR CEE2X92PF-180Z56, CEE2X92PF-180Z56LF
CEE2X92PF-180PY4W, CEE2X92PF180PY4WLF



RECOMMENDED BACKPLANE COMPONENT PCB FOR CEE2X92PF-102PY4, CEE2X92PF-102PY4LF
CEE2X92PF-102PY4W, CEE2X92PF102PY4WLF
CEE2X92PF-153PY4, CEE2X92PF-153PY4LF
CEE2X92PF-102Z56, CEE2X92PF-102Z56LF
CEE2X92PF-153Z56, CEE2X92PF-153Z56LF

mat'l. code		surface ISO 1302	tolerance ISO 406 ISO 1001	projection	product family CARDEDGE
ltr	ecn no	dr	date	tolerances unless otherwise specified	title
AK				angles linear 0°±1° linear .XX±.10 .XXX±.050	CEE 2X92 PF CONNECTOR ASSEMBLY
				dr G. PETERS 9/18/01	dwg no sheet 5 of 7 size A3
				engr D. CASEY 9/21/01	SE96947
				chr G. PETERS 9/18/01	type Product Customer Drawing
				appd D. CASEY 9/18/01	
sheet index	revision sheet				

PDM: Rev:AK

STATUS:Released

Printed: Feb 20, 2010

PRODUCT NUMBER
SEE TABLE

NOTES:

1. INTERPRET THIS DRAWING IN ACCORDANCE WITH ANSI Y14.5M -1982.
- ② CONNECTORS WITH CARD COLLECTING SCOOPS ARE DESIGNED TO ACCOMMODATE 1.57+/- .180 PC BOARDS WITH WARPAGE UP TO +/-2.03.
3. RECOMMENDED COMPONENT BOARD MATERIAL:
P.C. BOARD:FR-4 WITH 28.35 GRAMS MIN. COPPER, PADS PLATED WITH .76 MICRONS MIN GOLD, PER MIL-G-45204, TYPE 1, CLASS 1, GRADE C OVER 2.54 MICRONS MIN NI. UNDERPLATE PER QQ-N-290.
4. RECOMMENDED BACK PLANE THICKNESS IS 2.39 FOR 3.71 COMPLIANTAIL.
5. CONTACT MATING SURFACES ARE LUBRICATED WITH OS-138.
6. MATERIAL:

BODY: POLYPHTHALAMIDE (PPA) UL RATED 94V-0
COLOR, BLACK
LIQUID CRYSTAL POLIMER (LCP) 30% GF
COLOR, NATURAL

CONTACTS: PHOS BRONZE, PER FCI SPEC. M738

CONTACT FINISH:
PY4 MAY BE EITHER 0.76 MICRONS GOLD OR 0.76 MICRONS GXT PLATED AT MANUFACTURER'S OPTION IN CRITICAL CONTACT AREA
1-3/ MICRONS TIN/LEAD OVER 1.27 MICRONS NI UNDERPLATE ON CONTACT TAILS.

Z56 0.40 MICRONS GOLD OVER 2.00 MICRONS NI UNDEERPLATE IN CRITICAL CONTACT AREA. 1-3 MICRONS TIN/LEAD OVER 2.00 MICRONS NI UNDERPLATE ON PRESSFIT TAILS.

LEAD FREE OPTION:

PY4 MAY BE EITHER 0.76 MICRONS GOLD OR 0.76 MICRONS GXT PLATED AT MANUFACTURER'S OPTION IN CRITICAL CONTACT AREA
1-3 MICRONS TIN OVER 1.27 MICRONS NI UNDERPLATE ON CONTACT TAILS.

Z56 0.40 MICRONS GOLD OVER 2.00 MICRONS NI UNDEERPLATE IN CRITICAL CONTACT AREA. 1-3 MICRONS PURE TIN OVER 2.00 MICRONS NI UNDERPLATE ON PRESSFIT TAILS.

7. PERFORMANCE CHARACTERISTICS: SEE SHEET 7.
- ⑧ ITEM NAME, LOGO, PART NUMBER, DATE CODE, AND UL SYMBOLS TO BE DISPLAYED IN THIS AREA NATURAL COLOR CONNECTOR ONLY WILL HAVE DATE CODE DISPLAYED
9. LF SUFFIX AT THE END OF PART NUMBER IS LEAD FREE OPTION. NATURAL COLOR CONNECTOR ONLY WILL HAVE DATE CODE DISPLAYED.
EXAMPLE: CEE2X92PF-180PY4LF
LEAD FREE OPTION.
10. THIS PRODUCT MEETS EUROPEAN UNION DIRECTIVES AND OTHER COUNTRY REGULATION AS DESCRIBED IN GS-22-008.
11. PART NUMBERS WITH "W" AT THE END OR "W" BEFORE "LF" ARE MOLDED IN NATURAL COLOR.

mat'l. code		surface ISO 1302	tolerance ISO 406 ISO 1101	projection	product family CARDEDGE
ltr	ecn no	dr	date		title CEE 2X92 PF CONNECTOR ASSEMBLY
AK					
tolerances unless otherwise specified					dwg no SE96947 sheet 6 of 7 size A3
angles	linear				
0°±1'	.XX±.10			scale 1:2	type Product Customer Drawing
	.XXX±.050	dr	G. PETERS 9/18/01		
		engr	D. CASEY 9/21/01		
		chr	G. PETERS 9/18/01		
		appd	D. CASEY 9/18/01		
sheet index	revision sheet				

PDM: Rev:AK

STATUS:Released

Printed: Feb 20, 2010

PRODUCT NUMBER
SEE TABLE

PERFORMANCE CHARACTERISTICS: "PY4 PLATED CONTACTS ONLY"

ENVIRONMENTAL:

OPERATING TEMPERATURE: -40C TO 105C
THERMAL SHOCK: EIA-364 TP32, -55C TO +85C, 5 CYCLES

FLAMABILITY RATING: UL94V-0

MECHANICAL:

DURABILITY: 100 MATING CYCLES WITHOUT PHYSICAL DAMAGE, OR EXCEEDING LOW LEVEL CONTACT RESISTANCE REQUIREMENTS WHEN MATED WITH RECOMMENDED CARD.

CONTACT RETENTION: EIA-364 TP29, 4.4 N MIN.

MATING FORCE: EIA-364 TP13 2.0 N MAX. AVERAGE PER OPPOSING PAIR USING GAUGE PER MIL-STD-C-21097 WITH CARD PROFILE

CONTACT NORMAL FORCE: 0.72 N MINIMUM

PRESS FIT TERMINATION FORCES: INSERTION FORCE 70 N MAX. PER PIN
RETENTION FORCE 9 N MIN. PER PIN

ELECTRICAL:

CONTACT RESISTANCE: EIA-364 TP45, WITH 10 MILLIOHM MAX. INITIAL, 20 (LOW SIGNAL LEVEL) MILLIOHM RISE. COMPONENT BOARD SIDE - 1 MILLIOHM MAX., CONNECTION PRESS FIT PIN WITH w/PLATED THROUGH HOLE.

INSULATION RESISTANCE: MIL-STD-202, METHOD 302, CONDITION B, 1000 MEGAOHMS MIN.

DIELECTRIC WITHSTAND VOLTAGE: EIA-364 TP45 CONDITION 1, 500 VAC RM

CAPACITANCE: 2 PICO FARADS, MAX AT 1 MEGAHERTZ

CURRENT RATING: 1 AMP, 30C RISE ABOVE AMBIENT

VOLTAGE RATING: 150 VAC (RMS)

mat'l. code		surface ISO 1302	tolerance ISO 406 ISO 1101	projection	product family CARDEDGE
ltr	ecn no	dr	date		title CEE 2X92 PF CONNECTOR ASSEMBLY
AK					
		tolerances unless otherwise specified		scale 1:2	dwg no SE96947 sheet 7 of 7 size A3
		angles	linear		
		0°±1°	.XX±.10 .XXX±.050		
		dr	G. PETERS	9/18/01	
		engr	D. CASEY	9/21/01	
		chr	G. PETERS	9/18/01	
		appd	D. CASEY	9/18/01	
sheet index	revision sheet				

PDM: Rev:AK

STATUS: Released

Printed: Feb 20, 2010

FCI
FCIconnect.com

Copyright FCI