



**Distributor of FCI: Excellent Integrated System Limited**

Datasheet of D50S91C4PX00LF - D-Sub Connector Receptacle, Female Sockets 50 Position Through Hole Press-Fit

Contact us: [sales@integrated-circuit.com](mailto:sales@integrated-circuit.com) Website: [www.integrated-circuit.com](http://www.integrated-circuit.com)

---

## **Excellent Integrated System Limited**

Stocking Distributor

Click to view price, real time Inventory, Delivery & Lifecycle Information:

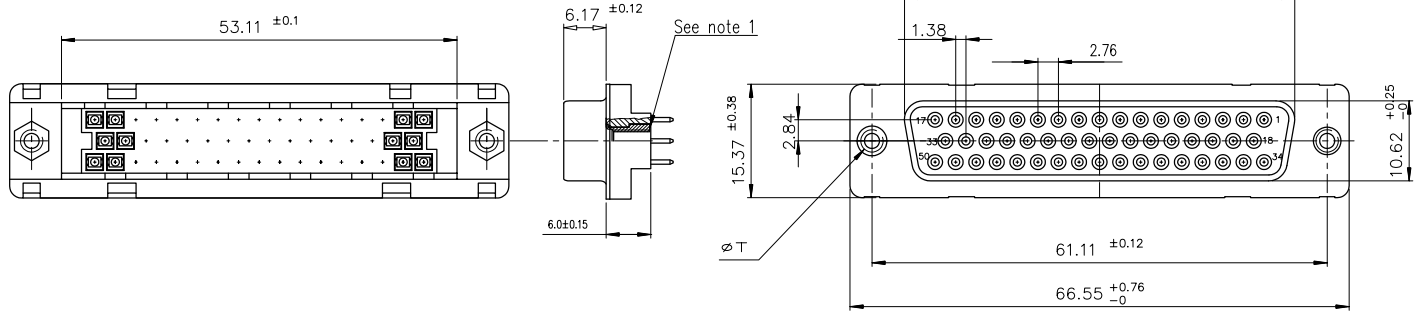
[FCI](#)

[D50S91C4PX00LF](#)

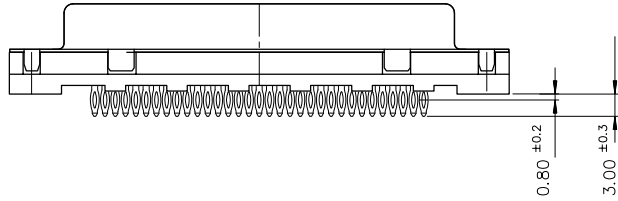
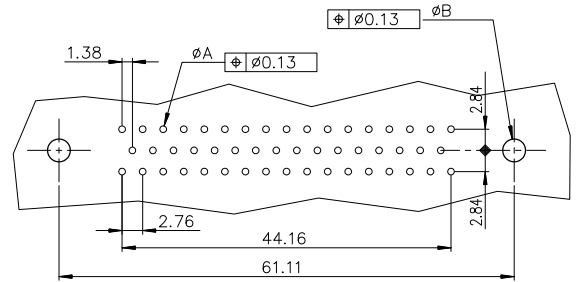
For any questions, you can email us directly:

[sales@integrated-circuit.com](mailto:sales@integrated-circuit.com)

Contact us: [sales@integrated-circuit.com](mailto:sales@integrated-circuit.com) Website: [www.integrated-circuit.com](http://www.integrated-circuit.com)



PC board drilling dimensions  
(after plating - thickness: 1.60 to 3.20 mm)



LEAD FREE PART NUMBER

PART NUMBER	
flash gold	D50S91C4P*00LF
0.76µ gold	D50S91C6P*00LF

Threaded ØT M3 = L  
Threaded ØT 4.40 = X

GENERAL CHARACTERISTICS AND ROHS INFORMATIONS:  
SEE DRAWING C01-8646-0001

Notes:

1) The nut can protrude above the surface of insulator but maintaining the footprint dimension 6.0±0.15 mm.

mat'l. code	surface	tolerance	projection	product family
-	ISO 1302	ISO 406 ISO 1101		D-SUB
lfr	ecn no	dr	date	title
F	ELX-I-22878	AB	2015/01/06	FEMALE CONNECTOR DELTA-D STRAIGHT - PRESS FIT
				dwg no
				C01-8646-0477
				sheet 1 of 1
				size
				A3
				type
				Product Customer Drawing
sheet index	revision sheet	F	1	