

## Excellent Integrated System Limited

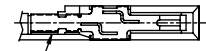
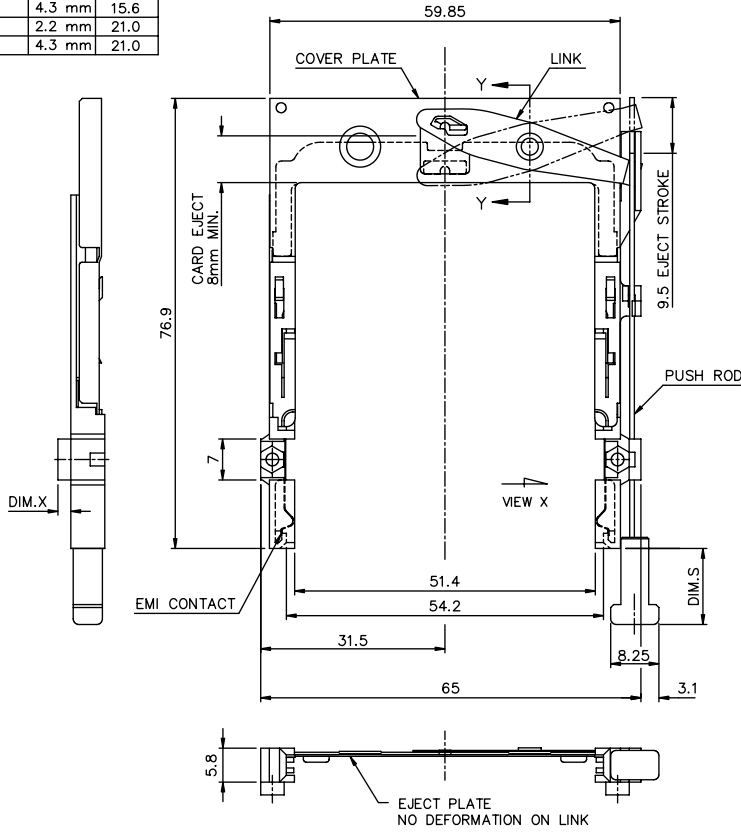
Stocking Distributor

Click to view price, real time Inventory, Delivery & Lifecycle Information:

[FCI](#)  
[91113-14CA](#)

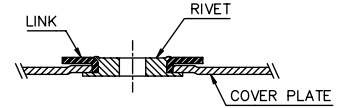
For any questions, you can email us directly:  
[sales@integrated-circuit.com](mailto:sales@integrated-circuit.com)

PRODUCT NUMBER	DIM. X	DIM. S
91113-02CA	2.2 mm	13.0
91113-04CA	4.3 mm	13.0
91113-02DA	2.2 mm	15.6
91113-04DA	4.3 mm	15.6
91113-02FA	2.2 mm	21.0
91113-04FA	4.3 mm	21.0



PRESS FIT EMI CLIP INTO GUIDE SLOTS.

VIEW X



SEC. Y-Y

NOTE:

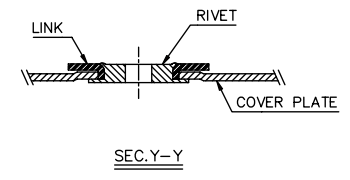
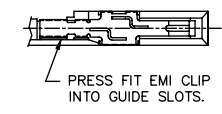
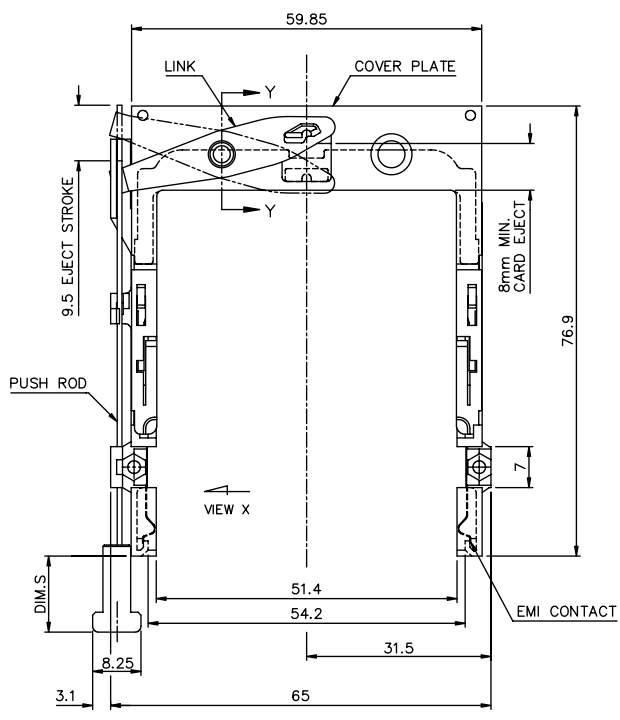
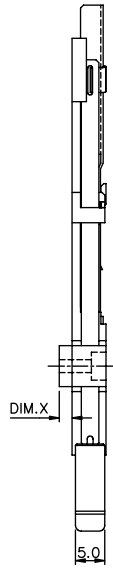
- EJECT PLATE TO MOVE ALONG INSIDE WALL OF COVER PLATE SMOOTHLY AFTER ASSEMBLING WITH HEADER.
- MATERIAL :  
PLASTIC GUIDES : POLYPHTHARAMIDE UL94V-0 BLACK  
COVER PLATE : STAINLESS STEEL  
EMI CONTACT : PHOSPHOR BRONZE
- FINISH :  
EMI CONTACT  
CONTACT AREA 0.5 mm Au.  
UNDERPLATING 1.0 mm Ni.

mat'l code		tolerance unless otherwise specified		CUSTOMER COPY		 www.fciconnect.com	
rev.	ecn no.	dr	date	linear	±0.30	projection	title
A	T50094	W L	04/06/95				NARROW BODY FRONT EJECT
B	T20234	W L	07/25/02				TYPE 1/2/3 MECHANISM ASS'Y
C	N06-0034	M Z	02/13/06	angles	± 2°		
		dr	WENDY CHEN 02/13/95	unit			product family PCMCIA
		enrg	JOSEPH HSIA 02/13/95	mm/inch			code
		chr	JOSEPH HSIA 02/13/95	scale			size
		appd	D K WANG 02/13/95	1.5:1			dwg no.
sheet	revision	C	C				91113
index	sheet	1	2				sheet 1 of 2

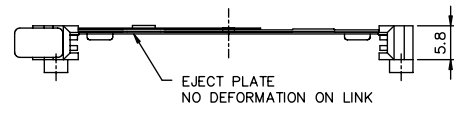
Tous droits strictement réservés. Reproduction ou communication à des tiers sans autorisation écrite du propriétaire.  
Copyright BERG ELECTRONICS by

All rights strictly reserved. Reproduction or issue to third parties in any form without the prior written authority from the proprietor.  
Copyright BERG ELECTRONICS by

PRODUCT NUMBER	DIM. X	DIM. S
91113-12CA	2.2 mm	13.0
91113-12CALF	2.2 mm	13.0
91113-14CA	4.3 mm	13.0
91113-12DA	2.2 mm	15.6
91113-14DA	4.3 mm	15.6
91113-12FA	2.2 mm	21.0
91113-14FA	4.3 mm	21.0



- NOTE:
- EJECT PLATE TO MOVE ALONG INSIDE WALL OF COVER PLATE SMOOTHLY AFTER ASSEMBLING WITH HEADER.
  - MATERIAL :  
PLASTIC GUIDES : POLYPHTHARAMIDE UL94V-0 BLACK  
COVER PLATE : STAINLESS STEEL  
EMI CONTACT : PHOSPHOR BRONZE
  - FINISH :  
EMI CONTACT  
CONTACT AREA 0.5mm Au.  
UNDERPLATING 1.0mm Ni.



mat'l code		tolerance unless otherwise specified		CUSTOMER COPY	
rev.	ecn no.	dr	date	linear	±0.30
C				angles	± 2°
		dr	WENDY CHEN 02/13/95	unit	projection
		enr	JOSEPH HSIA 02/13/95	mm/inch	title
		chr	JOSEPH HSIA 02/13/95	scale	NARROW BODY FRONT EJECT TYPE 1/2/3 MECHANISM ASS'Y
		appd	D K WANG 02/13/95	1:5:1	product family
sheet	revision				PCMCIA
index	sheet				size
					A3
					dwg no.
					91113
					code
					sheet
					2 of